



# EAST

ELECTRICAL SUPPLY INC

## ELECTRICAL FITTINGS & ACCESSORIES

2025 - CANADIAN EDITION



# Table of Contents

## Section One

### CONDUIT 1-4

EMT - Electrical Metallic Conduit	1
EMT - RED Electrical Metallic Conduit	2
RIGID Steel Conduit	3
RIGID Aluminum Conduit	4

## Section Two

### ELBOWS, NIPPLES & COUPLINGS 5-17

EMT - Elbows	5
90° Elbows	5
90° Elbows RED	5
45° Elbows	5
45 Elbows RED	5
30° Elbows	6
22.5° Elbows	6
15° Elbows	7
RIGID Steel Elbows	7
90° Rigid Elbows	7
45° Rigid Elbows	8
30° Elbows	8
22.5° Elbows	9
15° Elbows	9
RIGID Steel Special Radius Elbows	10
2" Special Radius Elbows	10
2 1/2" Special Radius Elbows	10
3" Special Radius Elbows	11
4" Special Radius Elbows	11
RIGID Aluminum Elbows	12
90° Elbows	12
45° Elbows	12
RIGID Nipples	13-16
Steel Nipples	13
Steel Close Nipples	14
Aluminum Nipples	15
Aluminum Close Nipples	16
RIGID Couplings	17
Steel	17
Aluminum	17

## Section Three

### EMT FITTINGS 19-26

Compression Type	19
Compression Coupling	19
Rain Tight Compression Coupling	19
Compression Connectors	20
Insulated Compression Connectors	20
Raintight Compression Connector	21
Insulated Raintight Compression Connector	21
Set-Screw Type	22
Set-Screw Couplings	22
Set-Screw Connectors	18
Insulated Set-Screw Connectors	23
EMT Straps	24
Snap-On Type One Hole	24
Snap-On Two Hole	24
Combination Pull Elbows	25
Set-Screw Pull Elbows	25
Set-Screw Pull Elbow/Connector	25

## Section Four

### RIGID FITTINGS 27-34

Chase Nipples	27
Three-Piece Coupling	27
Reducing Bushings	28
RIGID and IMC - Steel	28
RIGID and IMC - Malleable Iron	28
Grounding Bushings	29
Grounding Bushings - Zinc Die Cast	29
Insulating Plastic Bushings	29
RIGID Watertight Hubs	30
RIGID Offset Nipples	30
Compression Connectors	31
Steel	31
Malleable Iron	31
Insulated Compression Connectors	31
Steel	31
Malleable Iron	32
Compression Couplings	32
Steel	32
Malleable Iron	32
Reducing Washers	33
Locknuts	33
RIGID Straps	34
Snap-On One Hole RIGID Straps	34
Snap-On Two Hole RIGID Straps	34

## Section Five

### CONDUIT BODIES 35-40

LB Type	35-36
EMT - Set-Screw	35
RIGID - Threaded	35
COMBO - (EMT/RIGID/IMC)	36
C Type	36-37
RIGID - Threaded	36
COMBO - (EMT/RIGID/IMC)	37
LLRC Type (COMBO - Left or Right)	37
T Type	38
RIGID - Threaded	38
COMBO - (EMT/RIGID/IMC)	38

## Section Six

### LIQUIDTIGHT FITTINGS 39-42

Non-Metallic	39
Straight Connectors	39
90° Connectors	39
Metallic Liquidtight Fittings	40
Straight Connector - Zinc Die Cast	40
90° Connector - Zinc Die Cast	40
Straight Connector - Malleable Iron	41
45° Connector - Malleable Iron	41
90° Connector - Malleable Iron	41
Sealing Rings	42
AC Disconnect	42

## Section Seven

### HANGING & SUPPORT 43-46

Conduit Support Brackets	43-45
Pipe Hangers	43
Universal Conduit Clamps	44

Beam Clamps	45
Grounding Clamps	45
Accessories	46
Knockout Seals	46
Switch Box Support Brackets (F-Brackets)	46

## Section Eight

### BOXES & COVERS 47-60

Gangable Device Boxes	47
3x2" Steel Boxes	47
3x2" Steel Boxes - Wraparound Brackets	47
Gang Device Boxes	48
2 1/2" Deep Single to Four Gang	48
2 1/2" Deep - Wraparound Bracket	48
Utility Boxes	49
4 X 2" 1 7/8" Deep	49
4 X 2" - Extensions & Covers	49
Rework Boxes	50
Box Accessories	53-54
Snap-In Seals	50
Low Voltage Wall Bracket	51
Protection Plates	51
Switch Box Support Brackets	51
Staples	52
4" New Construction LED Mounting Plate	52
4" Swivel Covers Round	52
4" Swivel Covers Square	52
Square Boxes & Covers	53-56
4" Square Boxes	53
4" Square Boxes with Wraparound Brackets	53
4" Square Box Flat Covers	54
4" Square Box Rings & Extensions	54
4" Square Box Extensions	55
4 11/16" Square Boxes	55
4 11/16" Square Box Extensions	56
4 11/16" Square Box Covers	56
4 11/16" Square Device Rings	56
Octagon Boxes	57-58
4" Octagon Boxes	57
4" Octagon Boxes with Brackets & Supports	57
4" Octagon Box Extensions & Covers	58
Pancake Boxes & Covers	58
Masonry Boxes - Ganged	59
2 1/2" Deep	59
3 1/2" Deep	59
Non-Metallic Gang Boxes	60
3 1/2" Deep Single Gang	60
3 1/2" Deep Single Gang - Vapor Barrier	60
3 1/2" Deep Two Gang	60
3 1/2" Deep Two Gang - Vapor Barrier	60
3 1/2" Deep Three Gang	60
3 1/2" Deep Three Gang - Vapor Barrier	60
3 1/2" Deep Four Gang	60
3 1/2" Deep Four Gang - Vapor Barrier	60
Non-Metallic Octagon Boxes	60
2" Deep Octagon Box	60
2" Deep Octagon Box - Vapor Barrier	60
Non-Metallic Dryer Box with Vapor Barrier	60

## Section Nine

### BX, FLEX, & MC FITTINGS 61-64

FMC Fittings	61-62
Combination Coupling - EMT/FMC	61

Squeeze Type Connector	61
Squeeze Type 90° Connector - Zinc Die Cast	62
Squeeze Type 90° Connector - Malleable Iron	62
AC & MC Connectors	63-65
Single Screw BL Connectors	63-64
Saddle Type Connectors	65
Duplex Connectors	65
BX One Hole Strap	66

## Section Ten

### NM CABLE FITTINGS 67-68

Two-Screw NM & SE Connectors	67
Two-Screw Combination	67
Duplex Connector	68
PVC Snap-In Connectors	68
One-Hole Strap	68

## Section Eleven

### WEATHERPROOF 69-70

AnyCover™ In Use Cover	69
Weatherproof Box Covers	70
Single-Gang Weatherproof Box	70
Round Boxes	70

# EMT - Electrical Metallic Conduit



## Features & Benefits:

- Consistent Quality – East Electrical EMT Conduit is manufactured for long life, durability and strength, and is suitable for bending. The steel is welded to ensure quality standards are met and exceeded. We do not have any trouble with welds split or wrinkle from severe bending caused by improper raw materials or poor quality control during pipe welding. The product is easy to cut, form and join.
- Excellent ID smoothness – During the manufacturing process we remove all ID residual flash and place a protective coating over the galvanizing to providing a much longer life cycle and excellent smoothness. This then ensures more wire capacity, and less friction between wall to wire during pulls.
- Lower Life-cycle costs – Our EMT Conduit resists cracking, flaking, peeling, impact, and damage from severe bending. Its physical and mechanical properties ensure that the pipe has an extended life cycle, great for usage or storage without trouble in quality.
- Protection from Environmental Damage and Mechanical Use – the thorough inside and outside zinc coating of East Electrical Conduit provides enhanced, second to none corrosion protection.

CAT #	TRADE SIZE IN	NOM O.D. IN	WALL THICKNESS IN	BUNDLE QTY FT	WEIGHT /100 FT LBS	PACKAGE INFORMATION			
						LIFT QUANTITY		LIFT WT	
						PCS	BD'S	FT	LBS
012E	1/2"	0.706	0.042	100	30	70	7000	2083	
034E	3/4"	0.922	0.049	100	46	50	5000	2282	
100E	1"	1.163	0.057	100	67	30	3000	2024	
125E	1 1/4"	1.510	0.065	50	101	40	2000	2011	
150E	1 1/2"	1.740	0.065	50	116	30	1500	1746	
200E	2"	2.197	0.065	30	148	40	1200	1777	
250E	2 1/2"	2.875	0.072		216	61	610	1316	
300E	3"	3.500	0.072		265	51	510	1349	
350E	3 1/2"	4.000	0.083		348	37	370	1290	
400E	4"	4.500	0.083		392	30	300	1177	



Certifications:  
UL797  
ANSI C80.3  
Federal Specification WW-C-563



# EMT - RED Electrical Metallic Conduit



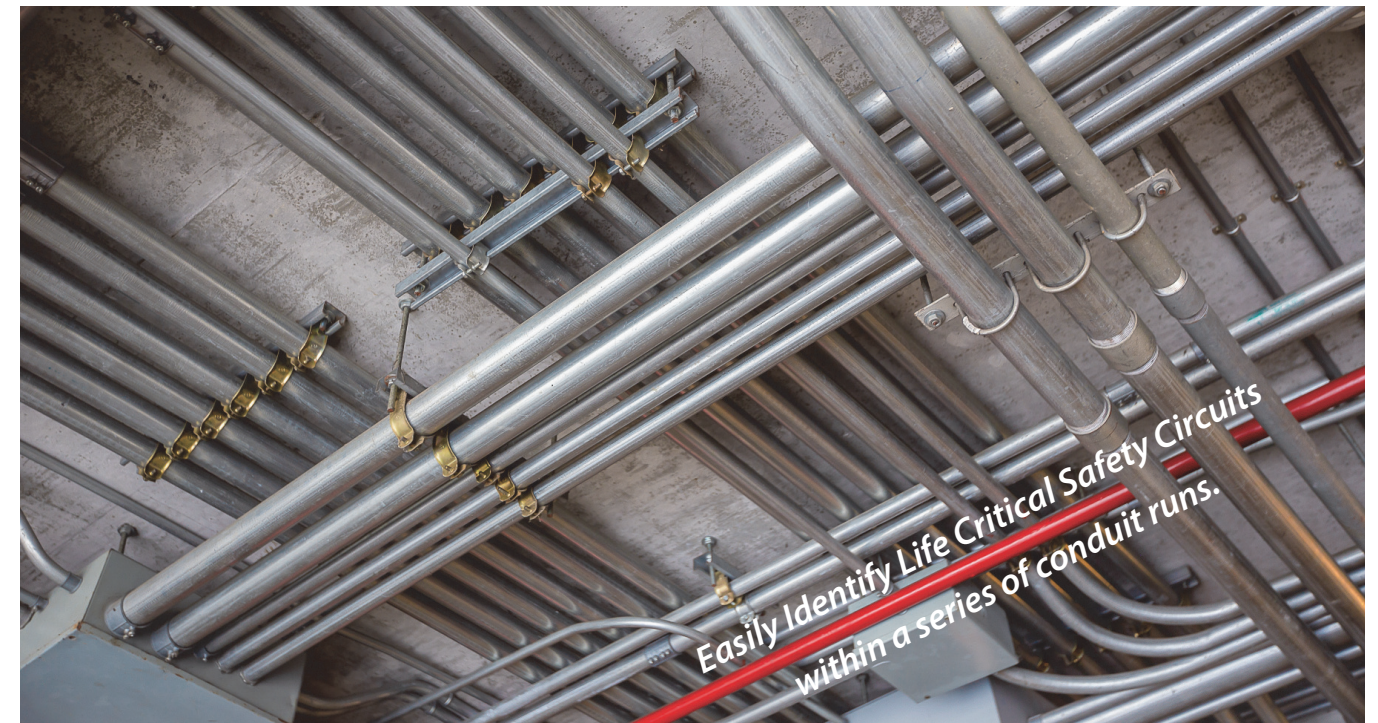
## Features & Benefits:

- Red EMT is used to quickly and easily identify Fire Alarm and other Life Critical safety circuits.
- Consistent Quality – East Electrical EMT Conduit is manufactured for long life, durability and strength, and is suitable for bending. The steel is welded to ensure quality standards are met and exceeded. We do not have any trouble with welds split or wrinkle from severe bending caused by improper raw materials or poor quality control during pipe welding. The product is easy to cut, form and join.
- Excellent ID smoothness – During the manufacturing process we remove all ID residual flash and place a protective coating over the galvanizing to providing a much longer life cycle and excellent smoothness. This then ensures more wire capacity, and less friction between wall to wire during pulls.
- Lower Life-cycle costs – Our EMT Conduit resists cracking, flaking, peeling, impact, and damage from severe bending. Its physical and mechanical properties ensure that the pipe has an extended life cycle, great for usage or storage without trouble in quality.
- Protection from Environmental Damage and Mechanical Use – the thorough inside and outside zinc coating of East Electrical Conduit provides enhanced, second to none corrosion protection.

CAT #	TRADE SIZE IN	NOM O.D. IN	WALL THICKNESS IN	BUNDLE QTY FT	WEIGHT /100 FT LBS	PACKAGE INFORMATION			
						LIFT QUANTITY		LIFT WT	
						PCS	BD'S	FT	LBS
012CE	1/2"	0.706	0.042	2500	30			2500	750
034CE	3/4"	0.922	0.049	2000	46			2000	920
100CE	1"	1.163	0.057	1000	67			1000	670



Certifications:  
UL797  
ANSI C80.3  
Federal Specification WW-C-563



# Rigid Steel Conduit



### Features & Benefits:

- Consistent Quality – East Electrical Rigid Steel Conduit is manufactured for long life; durability and strength, and suitable for bending. The conduit is produced to ensure quality standards are strictly met. The product is easy to cut, bend and join on the job.
- Excellent Inner-Diameter Smoothness.
- Lower Life-Cycle Costs – Our Conduit resists cracking, flaking, peeling, impact, and damage from severe bending. Its physical and mechanical properties ensure that the pipe has an extended Life Cycle.

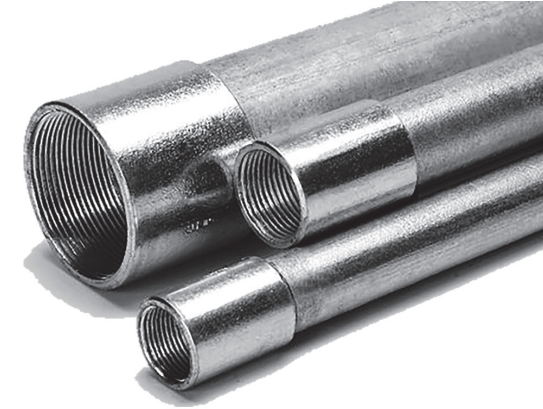
CAT #	TRADE SIZE IN	NOM O.D. IN	NOM I.D. IN	WALL THICKNESS IN	WEIGHT /100 FT LBS	PACKAGE INFORMATION		
						LIFT QUANTITY PCS	BD'S FT	LIFT WT LBS
012R	1/2"	0.840	0.632	0.104	82	25	2500	2050
034R	3/4"	1.050	0.836	0.107	109	40	2000	2178
100R	1"	1.315	1.063	0.126	161	25	1250	2013
125R	1 1/4"	1.660	1.394	0.133	218	90	900	1962
150R	1 1/2"	1.900	1.624	0.138	163	80	800	2099
200R	2"	2.375	2.083	0.146	350	60	600	2103
250R	2 1/2"	2.875	2.489	0.193	559	37	370	2072
300R	3"	3.500	3.090	0.205	727	30	300	2183
350R	3 1/2"	4.000	3.570	0.215	880	25	250	2200
400R	4"	4.500	4.050	0.225	1030	20	200	2059
500R	5"	5.563	5.073	0.245	1400	15	150	2101
600R	6"	6.625	6.093	0.266	1840	10	100	1841



Certifications:  
UL6  
ANSI® C80.1  
Federal Specification WW-C-581



# Rigid Aluminum Conduit



### Features & Benefits:

- Consistent Quality – East Electrical Rigid Aluminum Conduit is manufactured for long life; durability and strength, and suitable for bending. The conduit is produced to ensure quality standards are strictly met. The product is easy to cut, bend and join on the job.
- Excellent Inner-Diameter Smoothness.
- Lightweight and Excellent Corrosion Resistance
- Lower Life-Cycle Costs – Our Conduit resists cracking, flaking, peeling, impact, and damage from severe bending. Its physical and mechanical properties ensure that the pipe has an extended Life Cycle.

CAT #	TRADE SIZE IN	NOM O.D. IN	NOM I.D. IN	WALL THICKNESS IN	WEIGHT /100 FT LBS	PACKAGE INFORMATION			
						LIFT QUANTITY PCS	BD'S FT	LIFT WT LBS	
012AR	1/2"	0.840	0.632	0.104	28.1	250	25	2500	703
034AR	3/4"	1.050	0.836	0.107	37.4	250	25	2500	935
100AR	1"	1.315	1.063	0.126	54.5	200	20	2000	1090
125AR	1 1/4"	1.660	1.394	0.133	71.6	100	100	1000	716
150AR	1 1/2"	1.900	1.624	0.138	88.7	100	100	1000	887
200AR	2"	2.375	2.083	0.146	118.5	45	450	533	
250AR	2 1/2"	2.875	2.489	0.193	187.5	30	300	563	
300AR	3"	3.500	3.090	0.205	246.3	20	200	493	
350AR	3 1/2"	4.000	3.570	0.215	295.6	20	200	591	
400AR	4"	4.500	4.050	0.225	350.2	20	200	700	

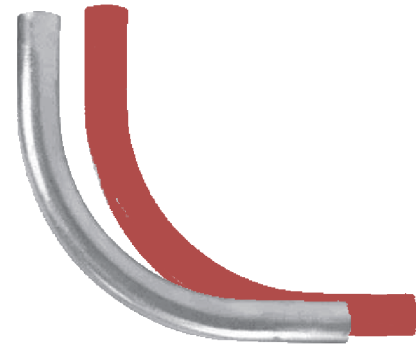


Certifications:  
UL6A  
ANSI® C80.5  
Federal Specification WW-C-540A



# EMT Elbows

## 90° EMT Elbow



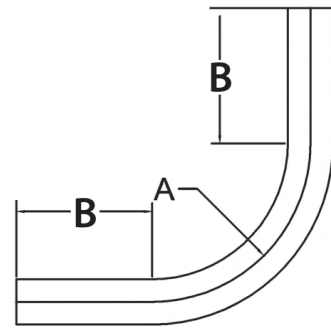
### Features & Benefits:

- Smooth Interior: Facilitates easy wire pulling.
- Corrosion Resistant: Coated to prevent corrosion.
- Easy Installation: Quick setup with East EMT Connectors and Couplings
- UL Listed: Meets safety and quality standards.
- Size Range: From 1/2" to 4"



Certifications: UL797

CAT#	TRADE SIZE IN	MINIMUM UL RADIUS IN	ST LEG EA END IN	WT /100pcs LBS	PKG INFORMATION		
					INNER CASE	MASTER CASE	WT CASE
012EE90	1/2" x 90°	4.0	1.67	24		50	12
034EE90	3/4" x 90°	4.5	2.17	43		50	22
034EE90RED	3/4" x 90°	4.5	2.17	43		50	22
100EE90	1" x 90°	5.75	2.36	77		20	16
100EE90RED	1" x 90°	5.75	2.36	77		20	16
125EE90	1 1/4" x 90°	7.25	2.76	142		20	29
150EE90	1 1/2" x 90°	8.25	3.15	187		10	19
200EE90	2" x 90°	9.5	4.25	272		10	27
250EE90	2 1/2" x 90°	10.5	5.24	467		50	234
300EE90	3" x 90°	13	5.87	685		35	240
350EE90	3 1/2" x 90°	15	6.10	1039		35	364
400EE90	4" x 90°	16	7.13	1248		25	312



## 45° EMT Elbow



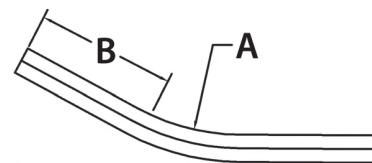
### Features & Benefits:

- Smooth Interior: Facilitates easy wire pulling.
- Corrosion Resistant: Coated to prevent corrosion.
- Easy Installation: Quick setup with East EMT Connectors and Couplings
- UL Listed: Meets safety and quality standards.
- Size Range: From 1/2" to 4"



Certifications: UL797

CAT#	TRADE SIZE IN	MINIMUM UL RADIUS IN	ST LEG EA END IN	WT 100pcs LBS	PKG INFORMATION		
					INNER CASE	MASTER CASE	WT CASE
012EE45	1/2" x 45°	4	1.89	17		50	9
034EE45	3/4" x 45°	4.5	2.13	29		50	15
034EE45RED	3/4" x 45°	4.5	2.13	29		50	15
100EE45	1" x 45°	5.75	2.28	51		35	18
100EE45RED	1" x 45°	5.75	2.28	51		35	18
125EE45	1 1/4" x 45°	7.25	2.76	94		30	28
150EE45	1 1/2" x 45°	8.25	3.27	126		15	19
200EE45	2" x 45°	9.5	3.94	189		15	29
250EE45	2 1/2" x 45°	10.5	4.53	311		50	156
300EE45	3" x 45°	13	5.91	486		40	195
350EE45	3 1/2" x 45°	15	7.09	754		35	216
400EE45	4" x 45°	16	7.87	926		35	324



# EMT Elbows

## 30° EMT Elbow



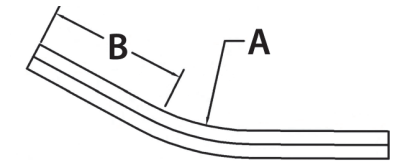
### Features & Benefits:

- Smooth Interior: Facilitates easy wire pulling.
- Corrosion Resistant: Coated to prevent corrosion.
- Easy Installation: Quick setup with East EMT Connectors and Couplings
- UL Listed: Meets safety and quality standards.
- Size Range: From 1/2" to 4"



Certifications: UL797

CAT#	TRADE SIZE IN	MINIMUM UL RADIUS IN	ST LEG EA END IN	WT 100pcs LBS	PKG INFORMATION		
					INNER CASE	MASTER CASE	WT CASE
012EE30	1/2" x 30°	4	1.89	14		50	7
034EE30	3/4" x 30°	4.5	2.13	25		50	13
100EE30	1" x 30°	5.75	2.28	42		35	15
125EE30	1 1/4" x 30°	7.25	2.76	78		30	24
150EE30	1 1/2" x 30°	8.25	3.25	105		15	16
200EE30	2" x 30°	9.5	4.29	158		15	24
250EE30	2 1/2" x 30°	10.5	5.12	262		50	131
300EE30	3" x 30°	13	6.14	410		40	164
350EE30	3 1/2" x 30°	15	7.09	639		35	224
400EE30	4" x 30°	16	7.09	788		35	276



## 22.5° EMT Elbow



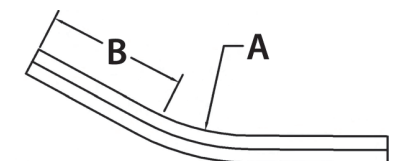
### Features & Benefits:

- Smooth Interior: Facilitates easy wire pulling.
- Corrosion Resistant: Coated to prevent corrosion.
- Easy Installation: Quick setup with East EMT Connectors and Couplings
- UL Listed: Meets safety and quality standards.
- Size Range: From 1/2" to 4"



Certifications: UL797

CAT#	TRADE SIZE IN	MINIMUM UL RADIUS IN	ST LEG EA END IN	WT 100pcs LBS	PKG INFORMATION		
					INNER CASE	MASTER CASE	WT CASE
012EE225	1/2" x 22.5°	4.00	1.87	13		50	7
034EE225	3/4" x 22.5°	4.50	2.11	23		50	12
100EE225	1" x 22.5°	5.75	2.26	38		35	13
125EE225	1 1/4" x 22.5°	7.25	2.76	70		30	21
150EE225	1 1/2" x 22.5°	8.25	3.25	94		15	14
200EE225	2" x 22.5°	9.50	4.29	143		10	15
250EE225	2 1/2" x 22.5°	10.50	5.12	237	1	50	119
300EE225	3" x 22.5°	13.00	6.14	373	1	40	149
350EE225	3 1/2" x 22.5°	15.00	6.73	582	1	35	204
400EE225	4" x 22.5°	16.00	7.09	720	1	35	252



# EMT Elbows

## 15° EMT Elbow



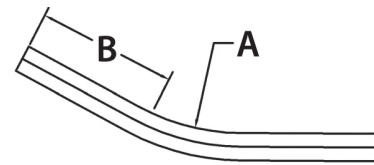
### Features & Benefits:

- Smooth Interior: Facilitates easy wire pulling.
- Corrosion Resistant: Coated to prevent corrosion.
- Easy Installation: Quick setup with East EMT Connectors and Couplings
- UL Listed: Meets safety and quality standards.
- Size Range: From 1/2" to 4"

Certifications: UL797



CAT#	TRADE SIZE	MINIMUM UL RADIUS	ST LEG EA END	WT 100pcs	PKG INFORMATION		
	IN	IN	IN	LBS	INNER CASE	MASTER CASE	WT CASE
012EE15	1/2" x 15°	4	1.89	12	50	6	
034EE15	3/4" x 15°	4.5	2.13	20	50	10	
100EE15	1" x 15°	5.75	2.28	34	35	12	
125EE15	1 1/4" x 15°	7.25	2.76	62	30	19	
150EE15	1 1/2" x 15°	8.27	3.27	84	15	13	
200EE15	2" x 15°	9.5	4.29	128	15	19	
250EE15	2 1/2" x 15°	10.5	5.12	212	50	106	
300EE15	3" x 15°	13	6.14	335	40	134	
350EE15	3 1/2" x 15°	15	6.73	525	35	184	
400EE15	4" x 15°	16	7.09	651	35	228	



# Rigid Steel Elbows

## 45° Rigid Elbows



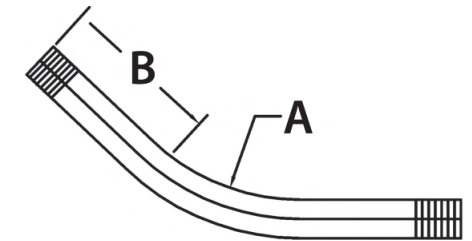
### Features & Benefits:

- NPT Threads
- Smooth Interior: Facilitates easy wire pulling.
- Corrosion Resistant: Coated to prevent corrosion.
- Easy Installation: Quick setup with East RIGID Connectors and Couplings
- UL Listed: Meets safety and quality standards.
- Size Range: From 1/2" to 6"

Certifications: UL6



CAT#	TRADE SIZE	MINIMUM UL RADIUS	ST LEG EA END	WT 100pcs	PKG INFORMATION		
	IN	IN	IN	LBS	INNER CASE	MASTER CASE	WT CASE
012RE45	1/2" x 45°	4	1.87	48	50	24	
034RE45	3/4" x 45°	4.5	2.11	70	50	35	
100RE45	1" x 45°	5.75	2.26	120	35	42	
125RE45	1 1/4" x 45°	7.25	2.76	203	30	61	
150RE45	1 1/2" x 45°	8.25	3.25	286	15	43	
200RE45	2" x 45°	9.5	4.29	446	15	67	
250RE45	2 1/2" x 45°	10.5	5.12	808	1	50	404
300RE45	3" x 45°	13	6.14	1325	1	40	530
350RE45	3 1/2" x 45°	15	7.09	1903	1	35	676
400RE45	4" x 45°	16	7.87	2430	1	35	851
500RE45	5" x 45°	24	11.06	4777	1	1	48
600RE45	6" x 45°	30	12.72	7509	1	1	75



# Rigid Steel Elbows

## 90° Rigid Elbows



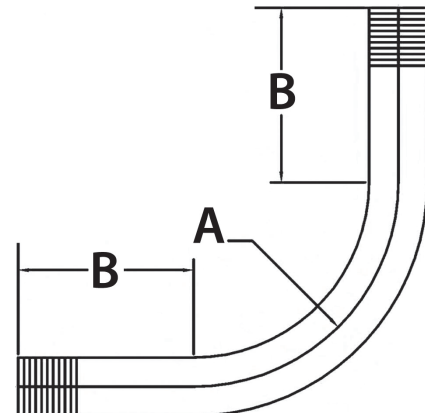
### Features & Benefits:

- NPT Threads
- Smooth Interior: Facilitates easy wire pulling.
- Corrosion Resistant: Coated to prevent corrosion.
- Easy Installation: Quick setup with East RIGID Connectors and Couplings
- UL Listed: Meets safety and quality standards.
- Size Range: From 1/2" to 6"

Certifications: UL6



CAT#	TRADE SIZE	MINIMUM UL RADIUS	ST LEG EA END	WT 100pcs	PKG INFORMATION		
	IN	IN	IN	LBS	INNER CASE	MASTER CASE	WT CASE
012RE90	1/2" x 90°	4	1.67	66	50	33	
034RE90	3/4" x 90°	4.5	2.17	104	50	52	
100RE90	1" x 90°	5.75	2.36	185	20	37	
125RE90	1 1/4" x 90°	7.25	2.76	307	20	62	
150RE90	1 1/2" x 90	8.25	3.15	421	10	42	
200RE90	2" x 90°	9.5	4.25	644	10	65	
250RE90	2 1/2" x 90°	10.5	5.24	1212	1	50	606
300RE90	3" x 90°	13	5.87	1884	1	35	660
350RE90	3 1/2" x 90°	15	6.73	2624	1	35	919
400RE90	4" x 90°	16	7.13	3274	1	25	819
500RE90	5" x 90°	24	11.14	6997	1	1	70
600RE90	6" x 90°	30	13.27	11286	1	1	113



## 30° Rigid Elbows



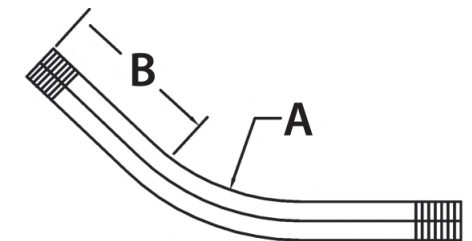
### Features & Benefits:

- NPT Threads
- Smooth Interior: Facilitates easy wire pulling.
- Corrosion Resistant: Coated to prevent corrosion.
- Easy Installation: Quick setup with East RIGID Connectors and Couplings
- UL Listed: Meets safety and quality standards.
- Size Range: From 1/2" to 6"

Certifications: UL6



CAT#	TRADE SIZE	MINIMUM UL RADIUS	ST LEG EA END	WT 100pcs	PKG INFORMATION		
	IN	IN	IN	LBS	INNER CASE	MASTER CASE	WT CASE
012RE30	1/2" x 30°	4.0	1.89	40	50	20	
034RE30	3/4" x 30°	4.5	2.11	60	50	30	
100RE30	1" x 30°	5.75	2.26	101	35	36	
125RE30	1 1/4" x 30°	7.25	2.76	169	30	51	
150RE30	1 1/2" x 30°	8.25	3.25	236	15	36	
200RE30	2" x 30°	9.5	4.29	375	15	57	
250RE30	2 1/2" x 30°	10.5	5.12	679	1	50	340
300RE30	3" x 30°	13	6.14	1128	1	40	452
350RE30	3 1/2" x 30°	15	7.09	1613	1	35	565
400RE30	4" x 30°	16	7.87	2067	1	35	724
500RE30	5" x 30°	24	11.06	4054	1	25	1014
600RE30	6" x 30°	30	12.72	6282	1	25	1571



# Rigid Steel Elbows

## 22.5° Rigid Elbows



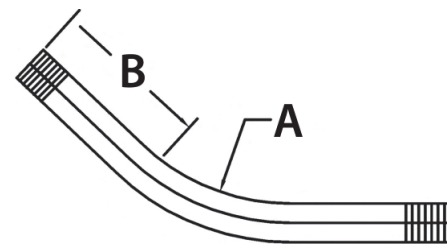
### Features & Benefits:

- NPT Threads
- Smooth Interior: Facilitates easy wire pulling.
- Corrosion Resistant: Coated to prevent corrosion.
- Easy Installation: Quick setup with East RIGID Connectors and Couplings
- UL Listed: Meets safety and quality standards.
- Size Range: From 1/2" to 6"



Certifications: UL6

CAT#	TRADE SIZE IN	MINIMUM UL RADIUS IN	ST LEG EA END IN	WT 100pcs LBS	PKG INFORMATION		
					INNER CASE	MASTER CASE	WT CASE
012RE225	1/2" x 22.5°	4	1.90	36		50	18
034RE225	3/4" x 22.5°	4.5	2.13	54		50	27
100RE225	1" x 22.5°	5.75	2.28	91		35	42
125RE225	1 1/4" x 22.5°	7.25	2.76	152		30	46
150RE225	1 1/2" x 22.5°	8.27	3.27	213		15	32
200RE225	2" x 22.5°	9.5	4.29	339		10	34
250RE225	2 1/2" x 22.5°	10.5	4.53	615		50	308
300RE225	3" x 22.5°	13	5.91	1025		35	359
350RE225	3 1/2" x 22.5°	15	7.09	1470		35	515
400RE225	4" x 22.5°	16	7.87	1888		35	661
500RE225	5" x 22.5°	24	11.06	3678		25	920
600RE225	6" x 22.5°	30	12.72	5668		25	1417



## 15° Rigid Elbows



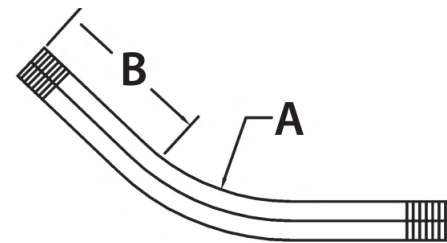
### Features & Benefits:

- NPT Threads
- Smooth Interior: Facilitates easy wire pulling.
- Corrosion Resistant: Coated to prevent corrosion.
- Easy Installation: Quick setup with East RIGID Connectors and Couplings
- UL Listed: Meets safety and quality standards.
- Size Range: From 1/2" to 6"



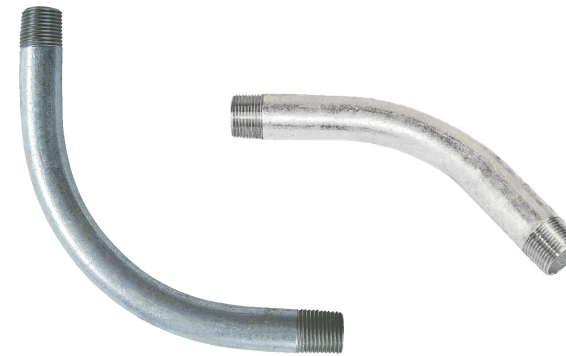
Certifications: UL6

CAT#	TRADE SIZE IN	MINIMUM UL RADIUS IN	ST LEG EA END IN	WT 100pcs LBS	PKG INFORMATION		
					INNER CASE	MASTER CASE	WT CASE
012RE15	1/2" x 15°	4	1.89	33		50	17
034RE15	3/4" x 15°	4.5	2.13	49		50	25
100RE15	1" x 15°	5.75	2.28	81		35	29
125RE15	1 1/4" x 15°	7.25	2.76	134		30	41
150RE15	1 1/2" x 15°	8.25	3.27	189		15	29
200RE15	2" x 15°	9.5	3.94	302		10	31
250RE15	2 1/2" x 15°	10.5	4.53	551		50	276
300RE15	3" x 15°	13	6.14	922		35	323
350RE15	3 1/2" x 15°	15	7.09	1326		35	464
400RE15	4" x 15°	16	7.87	1709		35	598
500RE15	5" x 15°	24	11.06	3294		25	824
600RE15	6" x 15°	30	12.72	5066		25	1267



# Rigid Steel Special Radius Elbows

## 2" Rigid Special Radius Elbows



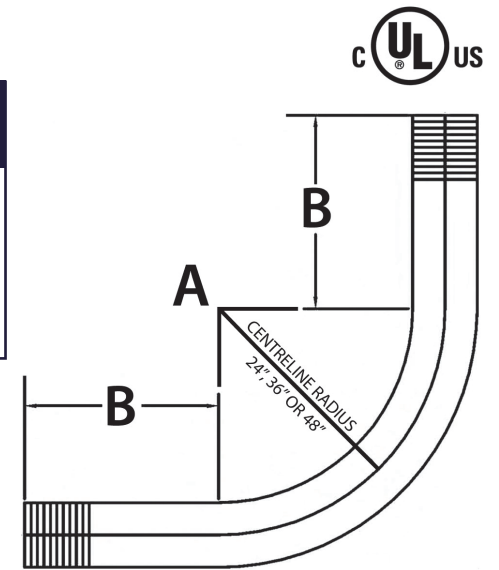
### Features & Benefits:

- NPT Threads
- Smooth Interior: Facilitates easy wire pulling.
- Corrosion Resistant: Coated to prevent corrosion.
- Easy Installation: Quick setup with East RIGID Connectors and Couplings
- UL Listed: Meets safety and quality standards.
- Size Range: From 2" to 6"



Certifications: UL6

CAT #	TRADE SIZE IN	BEND RADIUS IN	WT 100 PCS LBS	PKG INFORMATION	
				CASE QTY	WT CASE
200RE45X24	2" x 45°	24	1185	1	11.85
200RE45X36	2" x 45°	36	1458	1	14.58
200RE45X48	2" x 45°	48	1790	1	17.90
200RE90X24	2" x 90°	24	1731	1	17.31
200RE90X36	2" x 90°	36	2290	1	22.90
200RE90X48	2" x 90°	48	2882	1	28.82



## 2 1/2" Rigid Special Radius Elbows



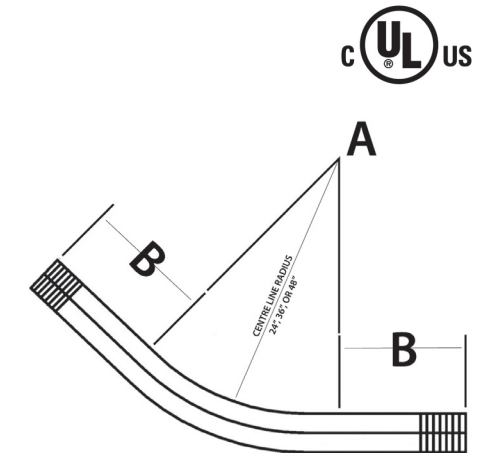
### Features & Benefits:

- NPT Threads
- Smooth Interior: Facilitates easy wire pulling.
- Corrosion Resistant: Coated to prevent corrosion.
- Easy Installation: Quick setup with East RIGID Connectors and Couplings
- UL Listed: Meets safety and quality standards.
- Size Range: From 2" to 6"



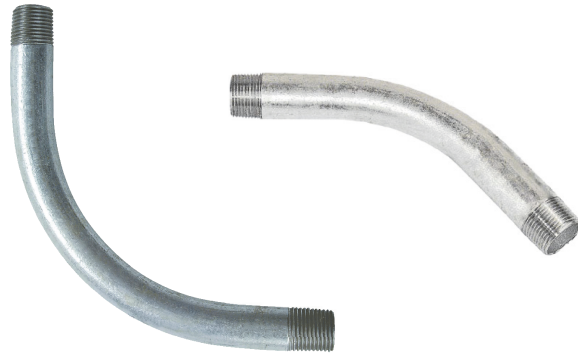
Certifications: UL6

CAT #	TRADE SIZE IN	BEND RADIUS IN	WT 100 PCS LBS	PKG INFORMATION	
				CASE QTY	WT CASE
250RE45X24	2 1/2" x 45°	24	1882	1	18.82
250RE45X36	2 1/2" x 45°	36	2318	1	23.18
250RE45X48	2 1/2" x 45°	48	2844	1	28.44
250RE90X24	2 1/2" x 90°	24	2751	1	27.51
250RE90X36	2 1/2" x 90°	36	3619	1	36.19
250RE90X48	2 1/2" x 90°	48	4581	1	45.81



# Rigid Steel Special Radius Elbows

## 3" Rigid Special Radius Elbows

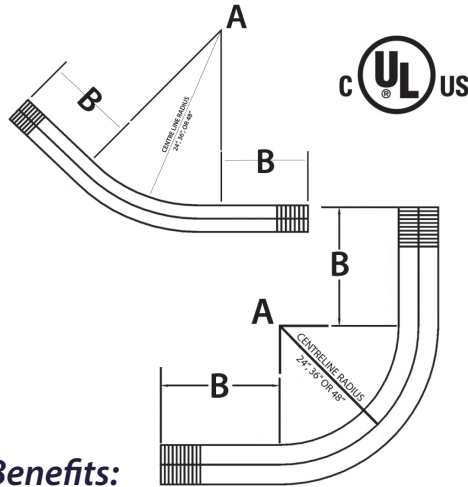


### Features & Benefits:

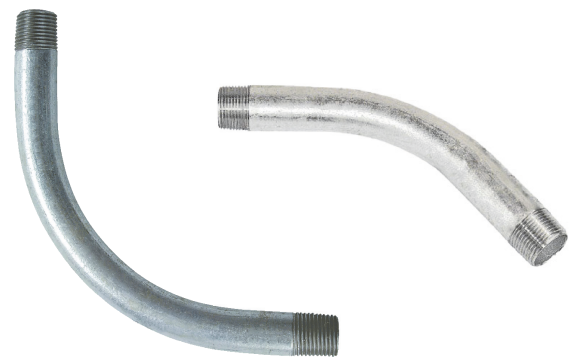
- NPT Threads
- Smooth Interior: Facilitates easy wire pulling.
- Corrosion Resistant: Coated to prevent corrosion.
- Easy Installation: Quick setup with East RIGID Connectors and Couplings
- UL Listed: Meets safety and quality standards.
- Size Range: From 2" to 6"

Certifications: UL6

CAT #	TRADE SIZE IN	BEND RADIUS IN	WT 100 PCS LBS	PKG INFORMATION	
				CASE QTY	WT CASE
300RE45X24	3" x 45°	24	2458	1	24.58
300RE45X36	3" x 45°	36	3027	1	30.27
300RE45X48	3" x 45°	48	3714	1	37.14
300RE90X24	3" x 90°	24	3594	1	35.94
300RE90X36	3" x 90°	36	4727	1	47.27
300RE90X48	3" x 90°	48	5983	1	59.83



## 4" Rigid Special Radius Elbows

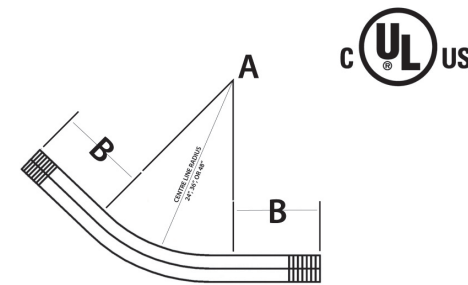


### Features & Benefits:

- NPT Threads
- Smooth Interior: Facilitates easy wire pulling.
- Corrosion Resistant: Coated to prevent corrosion.
- Easy Installation: Quick setup with East RIGID Connectors and Couplings
- UL Listed: Meets safety and quality standards.
- Size Range: From 2" to 6"

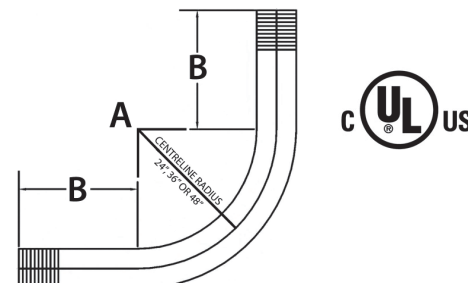
Certifications: UL6

CAT #	TRADE SIZE IN	BEND RADIUS IN	WT 100 PCS LBS	PKG INFORMATION	
				CASE QTY	WT CASE
400RE45X24	4" x 45°	24	3502	1	35.02
400RE45X36	4" x 45°	36	4312	1	43.12
400RE45X48	4" x 45°	48	5291	1	52.91
400RE90X24	4" x 90°	24	5119	1	51.19
400RE90X36	4" x 90°	36	6733	1	67.33
400RE90X48	4" x 90°	48	8523	1	85.23



## 5" and 6" Rigid Special Radius Elbows

CAT #	TRADE SIZE IN	BEND RADIUS IN	WT 100 PCS LBS	PKG INFORMATION	
				CASE QTY	WT CASE
500RE90X36	5" x 90°	36	9110	1	91.10
500RE90X48	5" x 90°	48	11528	1	115.28
600RE90X36	6" x 90°	36	11839	1	118.39
600RE90X48	6" x 90°	48	14981	1	149.81



# Rigid Aluminum Elbows

## 90° Aluminum Elbows

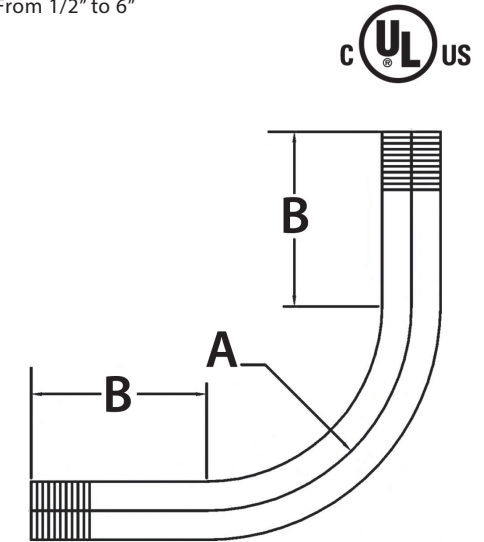


### Features & Benefits:

- NPT Threads
- Smooth Interior: Facilitates easy wire pulling.
- Corrosion Resistant: Coated to prevent corrosion.
- Easy Installation: Quick setup with East RIGID Connectors and Couplings
- UL Listed: Meets safety and quality standards.
- Size Range: From 1/2" to 6"

Certifications: UL6A

CAT#	TRADE SIZE IN	MINIMUM UL RADIUS IN	ST LEG EA END IN	WT 100pcs LBS	PKG INFORMATION		
					INNER CASE	MASTER CASE	WT CASE
012ARE90	1/2" x 90°	4	1.67	22	50	11	
034ARE90	3/4" x 90°	4.5	2.17	35	50	17	
100ARE90	1" x 90°	5.75	2.36	61	20	12	
125ARE90	1 1/4" x 90°	7.25	2.76	98	20	20	
150ARE90	1 1/2" x 90	8.25	3.15	139	10	14	
200ARE90	2" x 90°	9.5	4.25	211	10	21	
250ARE90	2 1/2" x 90°	10.5	5.24	391	1	50 196	
300ARE90	3" x 90°	13	5.87	614	1	35 215	
400ARE90	4" x 90°	16	7.13	1069	1	25 267	



## 45° Aluminum Elbows

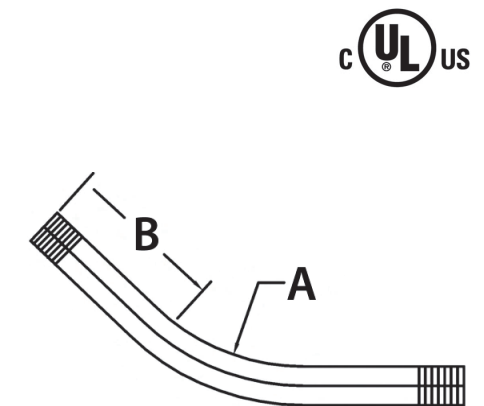


### Features & Benefits:

- NPT Threads
- Smooth Interior: Facilitates easy wire pulling.
- Corrosion Resistant: Coated to prevent corrosion.
- Easy Installation: Quick setup with East RIGID Connectors and Couplings
- UL Listed: Meets safety and quality standards.
- Size Range: From 1/2" to 6"

Certifications: UL6A

CAT#	TRADE SIZE IN	MINIMUM UL RADIUS IN	ST LEG EA END IN	WT 100pcs LBS	PKG INFORMATION		
					INNER CASE	MASTER CASE	WT CASE
012ARE45	1/2" x 45°	4	1.87	16	50	8	
034ARE45	3/4" x 45°	4.5	2.11	24	50	12	
100ARE45	1" x 45°	5.75	2.26	40	35	14	
125ARE45	1 1/4" x 45°	7.25	2.76	65	30	20	
150ARE45	1 1/2" x 45°	8.25	3.25	93	15	14	
200ARE45	2" x 45°	9.5	4.29	147	15	22	
250ARE45	2 1/2" x 45°	10.5	5.12	261	1	50 130	
300ARE45	3" x 45°	13	6.14	435	1	40 174	
400ARE45	4" x 45°	16	7.87	793	1	35 278	





# Rigid Steel Nipples

Steel



### Features & Benefits:

- NPT Threads
- Smooth Interior: Facilitates easy wire pulling.
- Corrosion Resistant: Coated to prevent corrosion.
- Easy Installation: Quick setup with East RIGID Connectors and Couplings
- UL Listed: Meets safety and quality standards.
- Size Range: From 1/2" to 6" with multiple length options.



Certifications: UL6

CAT #	PIPE SIZE	PIPE LENGTH	WT 100pcs LBS	PKG INFORMATION		
				INNER CASE QTY	MASTER CASE QTY	CASE WT LBS
012GRN150	1/2"	1 1/2"	8	25	600	24
012GRN200	1/2"	2"	12	25	600	72
012GRN250	1/2"	2 1/2"	15	25	400	60
012GRN300	1/2"	3"	19	25	400	76
012GRN350	1/2"	3 1/2"	22	25	300	66
012GRN400	1/2"	4"	26	25	300	78
012GRN500	1/2"	5"	33	25	200	66
012GRN600	1/2"	6"	40	25	200	80
012GRN1000	1/2"	10"	68	25	75	51
012GRN1200	1/2"	12"	82	25	75	62

CAT #	PIPE SIZE	PIPE LENGTH	WT 100pcs LBS	PKG INFORMATION		
				INNER CASE QTY	MASTER CASE QTY	CASE WT LBS
125GRN200	1 1/4"	2"	28	25	150	42
125GRN250	1 1/4"	2 1/2"	37	25	150	56
125GRN300	1 1/4"	3"	47	25	100	47
125GRN350	1 1/4"	3 1/2"	55	25	100	55
125GRN400	1 1/4"	4"	66	25	100	66
125GRN500	1 1/4"	5"	84	25	75	63
125GRN600	1 1/4"	6"	100	25	50	50
125GRN800	1 1/4"	8"	136	15	30	41
125GRN1000	1 1/4"	10"	176	15	30	53
125GRN1200	1 1/4"	12"	216	15	30	65

CAT #	PIPE SIZE	PIPE LENGTH	WT 100pcs LBS	PKG INFORMATION		
				INNER CASE QTY	MASTER CASE QTY	CASE WT LBS
034GRN150	3/4"	1 1/2"	10	25	400	40
034GRN200	3/4"	2"	14	25	400	56
034GRN250	3/4"	2 1/2"	19	25	300	57
034GRN300	3/4"	3"	24	25	200	45
034GRN350	3/4"	3 1/2"	28	25	150	42
034GRN400	3/4"	4"	34	25	150	51
034GRN500	3/4"	5"	43	25	100	43
034GRN600	3/4"	6"	52	25	100	52
034GRN800	3/4"	8"	73	25	75	55
034GRN1000	3/4"	10"	89	25	50	45
034GRN1200	3/4"	12"	109	25	50	55

CAT #	PIPE SIZE	PIPE LENGTH	WT 100pcs LBS	PKG INFORMATION		
				INNER CASE QTY	MASTER CASE QTY	CASE WT LBS
150GRN200	1 1/2"	2"	34	25	75	26
150GRN250	1 1/2"	2 1/2"	44	25	75	33
150GRN300	1 1/2"	3"	56	25	100	56
150GRN350	1 1/2"	3 1/2"	68	25	50	34
150GRN400	1 1/2"	4"	80	25	50	40
150GRN500	1 1/2"	5"	103	25	50	52
150GRN600	1 1/2"	6"	122	25	50	34
150GRN800	1 1/2"	8"	170	1	10	17
150GRN1000	1 1/2"	10"	216	1	10	22
150GRN1200	1 1/2"	12"	260	1	20	52

CAT #	PIPE SIZE	PIPE LENGTH	WT 100pcs LBS	PKG INFORMATION		
				INNER CASE QTY	MASTER CASE QTY	CASE WT LBS
100GRN200	1"	2"	22	25	200	44
100GRN250	1"	2 1/2"	28	25	200	56
100GRN300	1"	3"	36	25	150	54
100GRN350	1"	3 1/2"	43	25	100	43
100GRN400	1"	4"	49	25	100	49
100GRN500	1"	5"	64	25	100	64
100GRN600	1"	6"	78	25	75	59
100GRN800	1"	8"	109	25	75	82
100GRN1000	1"	10"	138	25	75	104
100GRN1200	1"	12"	200	1	25	50

CAT #	PIPE SIZE	PIPE LENGTH	WT 100pcs LBS	PKG INFORMATION		
				INNER CASE QTY	MASTER CASE QTY	CASE WT LBS
200GRN250	2"	2 1/2"	59	25	50	30
200GRN300	2"	3"	72		25	18
200GRN350	2"	3 1/2"	88		40	35
200GRN400	2"	4"	103		40	41
200GRN500	2"	5"	132		40	53
200GRN600	2"	6"	160	1	25	40
200GRN700	2"	7"	190	1	20	38
200GRN800	2"	8"	220	1	10	22
200GRN1000	2"	10"	285	1	20	57
200GRN1200	2"	12"	335	1	15	50

# Rigid Steel Nipples

Steel



CAT #	PIPE SIZE	PIPE LENGTH	WT 100pcs LBS	PKG INFORMATION		
				INNER CASE QTY	MASTER CASE QTY	CASE WT LBS
250GRN300	2 1/2"	3"	100		10	10
250GRN350	2 1/2"	3 1/2"	120	10	30	36
250GRN400	2 1/2"	4"	150	10	30	45
250GRN500	2 1/2"	5"	197	10	20	40
250GRN600	2 1/2"	6"	240	10	20	48
250GRN800	2 1/2"	8"	329	1	10	33
250GRN1000	2 1/2"	10"	422	1	10	42

CAT #	PIPE SIZE	PIPE LENGTH	WT 100pcs LBS	PKG INFORMATION		
				INNER CASE QTY	MASTER CASE QTY	CASE WT LBS
300GRN300	3"	3"	130		20	26
300GRN350	3"	3 1/2"	157		15	24
300GRN400	3"	4"	200		15	60
300GRN500	3"	5"	260		15	78
300GRN600	3"	6"	300		10	30
300GRN800	3"	8"	411		7	29
300GRN1000	3"	10"	528		5	27
300GRN1200	3"	12"	630		5	32

CAT #	PIPE SIZE	PIPE LENGTH	WT 100pcs LBS	PKG INFORMATION		
				INNER CASE QTY	MASTER CASE QTY	CASE WT LBS
350GRN400	3 1/2"	4"	240	1	10	24
350GRN500	3 1/2"	5"	320	1	8	26
350GRN600	3 1/2"	6"	373	1	8	30
350GRN800	3 1/2"	8"	510	1	4	21
350GRN1000	3 1/2"	10"	655	1	4	26
350GRN1200	3 1/2"	12"	785	1	4	32

CAT #	PIPE SIZE	PIPE LENGTH	WT 100pcs LBS	PKG INFORMATION		
				INNER CASE QTY	MASTER CASE QTY	CASE WT LBS
400GRN400	4"	4"	285	1	10	29
400GRN500	4"	5"	380	1	8	31
400GRN600	4"	6"	440	1	8	35
400GRN800	4"	8"	600	1	8	48
400GRN1000	4"	10"	775	1	4	31
400GRN1200	4"	12"	925	1	4	27

CAT #	PIPE SIZE	PIPE LENGTH	WT 100pcs LBS	PKG INFORMATION		
				INNER CASE QTY	MASTER CASE QTY	CASE WT LBS
500GRN500	5"	5"	480	1	5	24
500GRN600	5"	6"	600	1	5	30
500GRN800	5"	8"	825	1	4	33
500GRN1000	5"	10"	1055	1	3	32
500GRN1200	5"	12"	1260	1	3	38

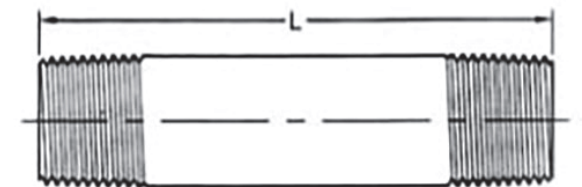
CAT #	PIPE SIZE	PIPE LENGTH	WT 100pcs LBS	PKG INFORMATION		
				INNER CASE QTY	MASTER CASE QTY	CASE WT LBS
600GRN500	6"	5"	660	1	5	33
600GRN600	5"	6"	820	1	5	41
600GRN800	5"	8"	1125	1	4	45
600GRN1000	5"	10"	1440	1	3	43
600GRN1200	5"	12"	1720	1	3	52

Close Nipples

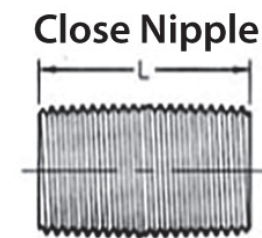


Certifications: UL6

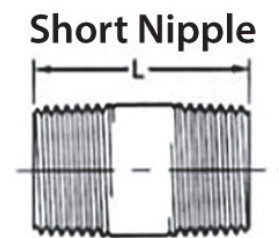
CAT #	PIPE SIZE	PIPE LENGTH	WT 100pcs LBS	PKG INFORMATION		
				INNER CASE QTY	MASTER CASE QTY	CASE WT LBS
012CGRN	1/2"	1 1/8"	6	25	600	36
034CGRN	3/4"	1 3/8"	9	25	400	36
100CGRN	1"	1 1/2"	16	25	300	48
125CGRN	1 1/4"	1 5/8"	22	25	100	22
150CGRN	1 1/2"	1 3/4"	28	25	100	28
200CGRN	2"	2"	44	25	75	33
250CGRN	2 1/2"	2 1/2"	84	40	40	16
300CGRN	3"	2 5/8"	118	1	30	35.4
350CGRN	3 1/2"	2 3/4"	160	1	20	32
400CGRN	4"	2 7/8"	180	20	20	36
500CGRN	5"	3"	240	1	8	19.2
600CGRN	6"	3 1/8"	350	1	8	28



Long Nipple



Close Nipple



Short Nipple



# Rigid Aluminum Nipples

Aluminum



### Features & Benefits:

- NPT Threads
- Smooth Interior: Facilitates easy wire pulling.
- Corrosion Resistant: Coated to prevent corrosion.
- Easy Installation: Quick setup with East RIGID Connectors and Couplings
- UL Listed: Meets safety and quality standards.
- Size Range: From 1/2" to 6" with multiple length options.



Certifications: UL6A

CAT #	PIPE SIZE	PIPE LENGTH	WT 100pcs LBS	PKG INFORMATION		
				INNER CASE QTY	MASTER CASE QTY	WT LBS
012ARN150	1/2"	1 1/2"	3	25	600	18
012ARN200	1/2"	2"	4	25	600	24
012ARN250	1/2"	2 1/2"	5	25	400	20
012ARN300	1/2"	3"	7	25	400	28
012ARN350	1/2"	3 1/2"	8	25	300	24
012ARN400	1/2"	4"	9	25	300	27
012ARN500	1/2"	5"	12	25	200	24
012ARN600	1/2"	6"	14	25	200	28

CAT #	PIPE SIZE	PIPE LENGTH	WT 100pcs LBS	PKG INFORMATION		
				INNER CASE QTY	MASTER CASE QTY	WT LBS
125ARN200	1 1/4"	2"	10	25	150	15
125ARN250	1 1/4"	2 1/2"	13	25	150	20
125ARN300	1 1/4"	3"	16	25	100	16
125ARN350	1 1/4"	3 1/2"	20	25	100	20
125ARN400	1 1/4"	4"	23	25	100	23
125ARN500	1 1/4"	5"	29	25	75	22
125ARN600	1 1/4"	6"	36	25	50	18

CAT #	PIPE SIZE	PIPE LENGTH	WT 100pcs LBS	PKG INFORMATION		
				INNER CASE QTY	MASTER CASE QTY	WT LBS
034ARN150	3/4"	1 1/2"	3	25	400	12
034ARN200	3/4"	2"	5	25	400	20
034ARN250	3/4"	2 1/2"	7	25	300	21
034ARN300	3/4"	3"	8	25	200	16
034ARN350	3/4"	3 1/2"	10	25	150	15
034ARN400	3/4"	4"	12	25	150	18
034ARN500	3/4"	5"	15	25	100	15
034ARN600	3/4"	6"	18	25	100	18

CAT #	PIPE SIZE	PIPE LENGTH	WT 100pcs LBS	PKG INFORMATION		
				INNER CASE QTY	MASTER CASE QTY	WT LBS
150ARN200	1 1/2"	2"	12	25	75	9
150ARN250	1 1/2"	2 1/2"	16	25	75	12
150ARN300	1 1/2"	3"	20	25	100	20
150ARN350	1 1/2"	3 1/2"	24	25	50	12
150ARN400	1 1/2"	4"	28	25	50	14
150ARN500	1 1/2"	5"	36	25	50	18
150ARN600	1 1/2"	6"	44	25	50	22

CAT #	PIPE SIZE	PIPE LENGTH	WT 100pcs LBS	PKG INFORMATION		
				INNER CASE QTY	MASTER CASE QTY	WT LBS
100ARN200	1"	2"	7	25	200	14
100ARN250	1"	2 1/2"	8	25	200	16
100ARN300	1"	3"	12	25	150	18
100ARN350	1"	3 1/2"	14	25	100	14
100ARN400	1"	4"	16	25	100	16
100ARN500	1"	5"	21	25	100	21
100ARN600	1"	6"	26	25	75	20

CAT #	PIPE SIZE	PIPE LENGTH	WT 100pcs LBS	PKG INFORMATION		
				INNER CASE QTY	MASTER CASE QTY	WT LBS
200ARN250	2"	2 1/2"	22	25	50	30
200ARN300	2"	3"	27		25	18
200ARN350	2"	3 1/2"	32		40	35
200ARN400	2"	4"	38		40	41
200ARN500	2"	5"	48		40	53
200ARN600	2"	6"	58	1	25	40

# Rigid Aluminum Nipples

Aluminum



Close Aluminum Nipples



Certifications: UL6A

CAT #	PIPE SIZE	PIPE LENGTH	WT 100pcs LBS	PKG INFORMATION		
				INNER CASE QTY	MASTER CASE QTY	WT LBS
250GRN300	2 1/2"	3"	30		10	10
250GRN350	2 1/2"	3 1/2"	39	10	30	36
250GRN400	2 1/2"	4"	47	10	30	45
250GRN500	2 1/2"	5"	64	10	20	40
250GRN600	2 1/2"	6"	80	10	20	48

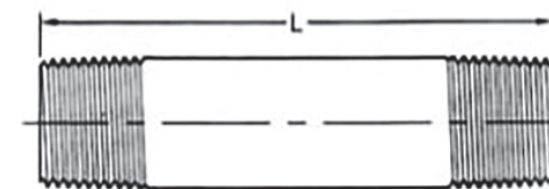
CAT #	PIPE SIZE	PIPE LENGTH	WT 100pcs LBS	PKG INFORMATION		
				INNER CASE QTY	MASTER CASE QTY	WT LBS
300GRN300	3"	3"	42		20	9
300GRN350	3"	3 1/2"	53		15	8
300GRN400	3"	4"	64		15	10
300GRN500	3"	5"	86		15	13
300GRN600	3"	6"	108		10	11

CAT #	PIPE SIZE	PIPE LENGTH	WT 100pcs LBS	PKG INFORMATION		
				INNER CASE QTY	MASTER CASE QTY	WT LBS
350ARN400	3 1/2"	4"	75	1	10	8
350ARN500	3 1/2"	5"	101	1	8	6
350ARN600	3 1/2"	6"	128	1	8	10

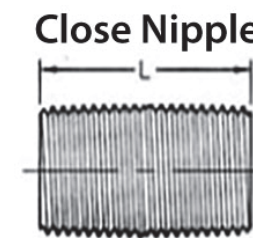
CAT #	PIPE SIZE	PIPE LENGTH	WT 100pcs LBS	PKG INFORMATION		
				INNER CASE QTY	MASTER CASE QTY	WT LBS
400ARN400	4"	4"	87	1	10	9
400ARN500	4"	5"	118	1	8	10
400ARN600	4"	6"	149	1	8	12

Certifications: UL6A

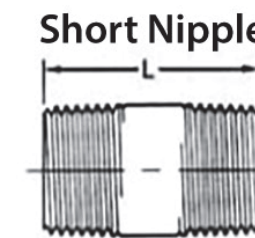
CAT #	PIPE SIZE	PIPE LENGTH	WT 100pcs LBS	PKG INFORMATION		
				INNER CASE QTY	MASTER CASE QTY	WT LBS
012CARN	1/2"	1 1/8"	2	25	600	12
034CGRN	3/4"	1 3/8"	3	25	400	12
100CGRN	1"	1 1/2"	4	25	300	12
125CGRN	1 1/4"	1 5/8"	7	25	100	7
150CGRN	1 1/2"	1 3/4"	10	25	100	10
200CGRN	2"	2"	16	25	75	12
250CGRN	2 1/2"	2 1/2"	22	10	40	9
300CGRN	3"	2 5/8"	24	20	30	8
350CGRN	3 1/2"	2 3/4"	42	20	20	9
400CGRN	4"	2 7/8"	51	20	20	101



Long Nipple



Close Nipple



Short Nipple



# Rigid Couplings

## Steel

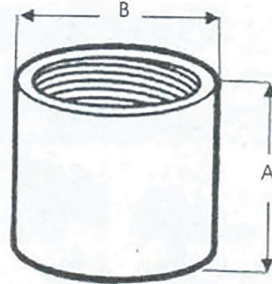


### Features & Benefits:

- NPSM Threads
- Corrosion Resistant: Coated to prevent corrosion.
- Easy Installation: Quick setup with East RIGID Conduit, Connectors and Couplings
- UL Listed: Meets safety and quality standards.
- Size Range: From 1/2" to 6"

Certifications: UL6

CAT#	TRADE SIZE	MIN A	OUTSIDE B	WT	PACKAGE INFORMATION		
	IN	IN	IN	100pcs LBS	INNER CASE	MASTER CASE	WT LBS
012RC	1/2"	1.625	1.01	14	150	400	56
034RC	3/4"	1.642	1.25	20	50	300	60
100RC	1"	1.969	1.52	31	30	180	56
125RC	1 1/4"	2.032	1.87	39	25	100	39
150RC	1 1/2"	2.063	2.15	56	25	75	42
200RC	2"	2.125	2.65	73	20	60	44
250RC	2 1/2"	3.189	3.25	185		12	22
300RC	3"	3.311	3.87	226		8	18
350RC	3 1/2"	3.41	4.50	358		4	15
400RC	4"	3.516	4.87	400		4	16
500RC	5"	3.953	6.00	497		2	10
600RC	6"	4.252	7.20	816		3	25



## Aluminum

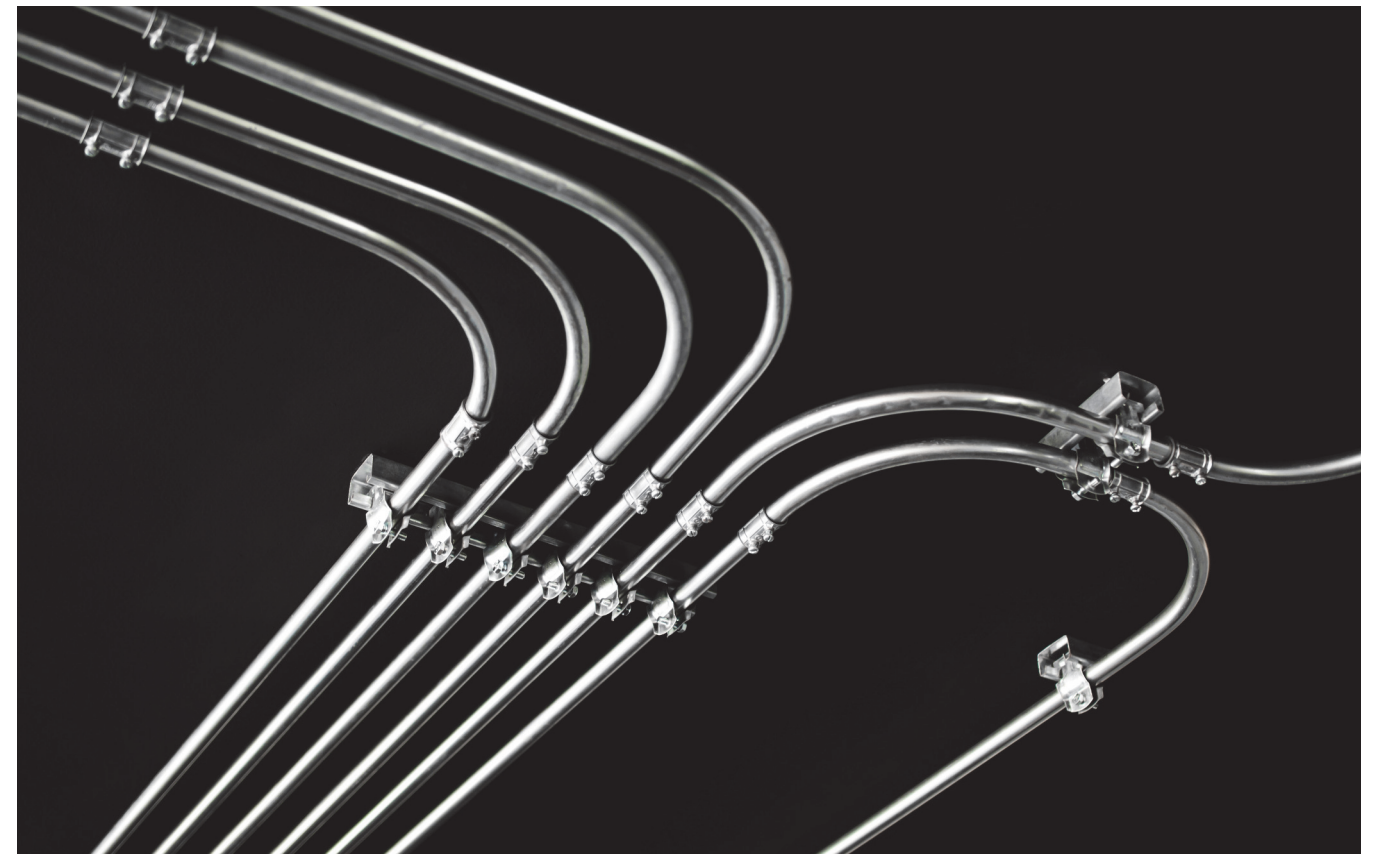
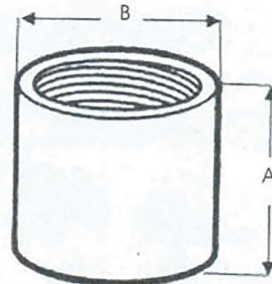


### Features & Benefits:

- NPSM Threads
- Corrosion Resistant: Coated to prevent corrosion.
- Easy Installation: Quick setup with East RIGID Conduit, Connectors and Couplings
- UL Listed: Meets safety and quality standards.
- Size Range: From 1/2" to 4"

Certifications: UL6

CAT#	TRADE SIZE	MIN A	OUTSIDE B	WT	PACKAGE INFORMATION		
	IN	IN	IN	100pcs LBS	INNER CASE	MASTER CASE	WT LBS
012ARC	1/2"	1.625	1.01	6	150	400	24
034ARC	3/4"	1.642	1.25	9	50	300	27
100ARC	1"	1.969	1.52	13	30	180	24
125ARC	1 1/4"	2.032	1.87	19	25	100	19
150ARC	1 1/2"	2.063	2.15	23	25	75	18
200ARC	2"	2.125	2.65	35	20	60	21
250ARC	2 1/2"	3.189	3.25	68		12	8
300ARC	3"	3.311	3.87	91		8	8
350ARC	3 1/2"	3.41	4.50	108		4	5
400ARC	4"	3.516	4.87	142		4	6



# Compression Type

## Compression Couplings



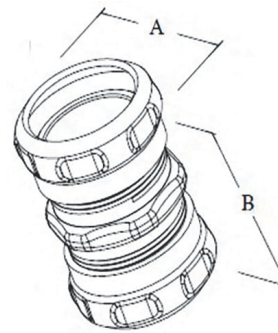
### Features & Benefits:

- Used to join two lengths of EMT.
- Concrete-tight.
- Compression Type
- Zinc plated steel construction.



Certifications: UL-514B

CAT#	TRADE SIZE IN	A LENGTH IN	B DIA IN	WT /100pcs LBS	PACKAGE INFORMATION		
					INNER CASE	MASTER CASE	WT LBS
CK-50S1	1/2"	1.09	1.86	14.50	25	500	73
CK-75S1	3/4"	1.30	1.98	19.57	25	250	49
CK-100S1	1"	1.63	2.23	28.21	25	200	57
CK-125S1	1 1/4"	2.13	2.60	45.06	25	100	45
CK-150S1	1 1/2"	2.37	2.86	51.75	25	100	52
CK-200S1	2"	2.86	2.96	68.71	25	50	35
CK-250S1	2 1/2"	3.59	5.12	188.18	8	15	
CK-300S1	3"	4.23	5.16	236.91	6	15	
CK-350S1	3 1/2"	4.70	5.36	286.60	4	12	
CK-400S1	4"	5.26	5.58	343.81	4	14	



## Raintight Compression Couplings



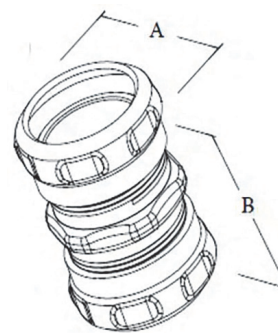
### Features & Benefits:

- Assembled with sealing ring and knockout gasket, Compression style connector can provide a rain tight seal when connecting EMT to a box or enclosure.
- Hex gland nut creates a flat smooth surface for convenient wrenching
- Interior shoulder conduit stop, offers positive seating of the conduit inside the body.
- Zinc plated steel construction with Thermoplastic sealing rings.
- Concrete-tight/Rain-tight..



Certifications: UL-514B

CAT#	TRADE SIZE IN	A LENGTH IN	B DIA IN	WT /100pcs LBS	PACKAGE INFORMATION		
					INNER CASE	MASTER CASE	WT LBS
CK-50RTS1	1/2"	1.09	1.86	14.11	25	250	36
CK-75RTS1	3/4"	1.30	1.98	18.08	25	250	46
CK-100RTS1	1"	1.63	2.23	30.86	25	100	31
CK-125RTS1	1 1/4"	2.13	2.60	57.32	25	15	
CK-150RTS1	1 1/2"	2.37	2.86	66.14	20	14	
CK-200RTS1	2"	2.86	2.96	88.18	15	14	
CK-250RTS1	2 1/2"	3.59	5.12	192.90	12	24	
CK-300RTS1	3"	4.23	5.16	275.58	6	17	
CK-350RTS1	3 1/2"	4.70	5.36	440.92	5	22	
CK-400RTS1	4"	5.26	5.58	275.58	6	17	



# Compression Type

## Compression Connectors



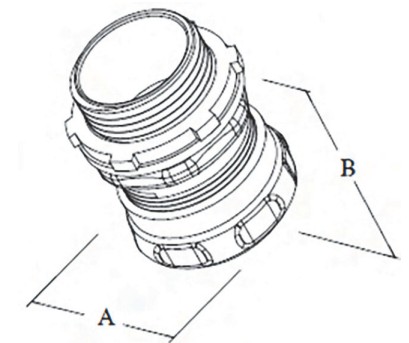
### Features & Benefits:

- Used to join EMT to a box or enclosure.
- Compression Type
- Concrete Tight
- Male hub threads - NPSM
- Zinc Plated Steel Construction.



Certifications: UL-514B

CAT#	TRADE SIZE IN	A LENGTH IN	B DIA IN	WT /100pcs LBS	PACKAGE INFORMATION		
					INNER CASE	MASTER CASE	WT LBS
CC-50S1	1/2"	1.09	1.86	11.71	25	500	59
CC-75S1	3/4"	1.30	1.98	17.20	25	250	43
CC-100S1	1"	1.63	2.23	23.07	25	200	46
CC-125S1	1 1/4"	2.13	2.60	38.15	25	100	38
CC-150S1	1 1/2"	2.37	2.86	44.53	25	100	45
CC-200S1	2"	2.86	2.96	60.01	25	50	30
CC-250S1	2 1/2"	3.59	5.12	149.73	8	12	
CC-300S1	3"	4.23	5.16	190.76	6	12	
CC-350S1	3 1/2"	4.70	5.36	243.75	4	10	
CC-400S1	4"	5.26	5.58	264.42	4	11	



## Insulated Compression Connectors



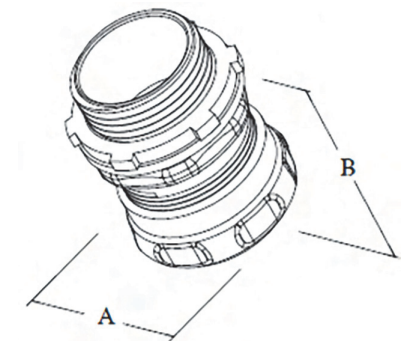
### Features & Benefits:

- Used to join EMT to a box or enclosure.
- Compression Type
- Concrete Tight
- Male hub threads - NPSM
- Zinc Plated Steel Construction with Hi-Performance Thermoplastic



Certifications: UL-514B

CAT#	TRADE SIZE IN	A LENGTH IN	B DIA IN	WT /100pcs LBS	PACKAGE INFORMATION		
					INNER CASE	MASTER CASE	WT LBS
CCI-50S1	1/2"	1.09	1.51	11.72	25	500	59
CCI-75S1	3/4"	1.30	1.64	15.77	25	250	40
CCI-100S1	1"	1.63	1.95	23.12	25	200	47
CCI-125S1	1 1/4"	2.13	2.38	37.17	25	100	37
CCI-150S1	1 1/2"	2.37	2.41	45.41	25	100	45
CCI-200S1	2"	2.86	2.62	60.14	25	50	30
CCI-250S1	2 1/2"	3.59	4.06	153.59	8	13	
CCI-300S1	3"	4.23	4.23	190.15	6	12	
CCI-350S1	3 1/2"	4.70	4.61	220.46	4	9	
CCI-400S1	4"	5.26	4.67	266.39	4	11	



# Compression Type

## Raintight Compression Connectors



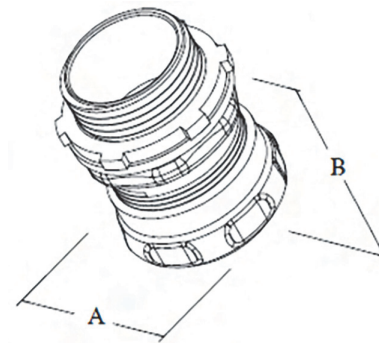
### Features & Benefits:

- Assembled with sealing ring and knockout gasket, Compression style connector can provide a rain tight seal when connecting EMT to a box or enclosure.
- Hex gland nut creates a flat smooth surface for convenient wrenching
- Interior shoulder conduit stop, offers positive seating of the conduit inside the body.
- Zinc plated steel construction with Thermoplastic sealing rings.
- Angled teeth on the locknut securely bite into enclosure
- Concrete-tight/Rain-tight..



Certifications: UL-514B

CAT#	TRADE SIZE IN	MIN A IN	OUTSIDE B IN	WT /100pcs LBS	PACKAGE INFORMATION		
					INNER CASE	MASTER CASE	WT LBS
CC-50RTS1	1/2"	1.09	1.51	11.90	25	250	29.75
CC-75RTS1	3/4"	1.30	1.64	16.75	25	250	41.88
CC-100RTS1	1"	1.63	1.98	28.66	25	100	28.66
CC-125RTS1	1 1/4"	2.13	2.38	48.50	25	100	48.50
CC-150RTS1	1 1/2"	2.37	2.41	60.63	20		9.70
CC-200RTS1	2"	2.86	2.62	80.84	15		12.13
CC-250RTS1	2 1/2"	3.59	4.06	146.97	12		17.64
CC-300RTS1	3"	4.23	4.23	156.16	12		18.74
CC-350RTS1	3 1/2"	4.77	4.61	330.69	5		16.54
CC-400RTS1	4"	5.26	4.67	352.74	3		10.58



## Insulated Raintight Compression Connectors



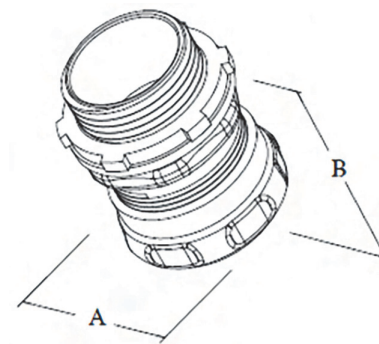
### Features & Benefits:

- Assembled with sealing ring and knockout gasket, Compression style connector can provide a rain tight seal when connecting EMT to a box or enclosure.
- Hex gland nut creates a flat smooth surface for convenient wrenching
- Interior shoulder conduit stop, offers positive seating of the conduit inside the body.
- Zinc plated steel construction with Thermoplastic sealing rings.
- Angled teeth on the locknut securely bite into enclosure
- Concrete-tight/Rain-tight.
- Insulated throat.



Certifications: UL-514B

CAT#	TRADE SIZE IN	MIN A IN	OUTSIDE B IN	WT /100pcs LBS	PACKAGE INFORMATION		
					INNER CASE	MASTER CASE	WT LBS
CCI-50RTS1	1/2"	1.09	1.51	11.90	25	250	29.75
CCI-75RTS1	3/4"	1.30	1.64	16.75	25	250	41.88
CCI-100RTS1	1"	1.63	1.98	28.66	25	100	28.66
CCI-125RTS1	1 1/4"	2.13	2.38	48.50	25	100	48.50
CCI-150RTS1	1 1/2"	2.37	2.41	60.63	20		9.70
CCI-200RTS1	2"	2.86	2.62	80.84	15		12.13
CCI-250RTS1	2 1/2"	3.59	4.06	146.97	12		17.64
CCI-300RTS1	3"	4.23	4.23	156.16	12		18.74
CCI-350RTS1	3 1/2"	4.77	4.61	330.69	5		16.54
CCI-400RTS1	4"	5.26	4.67	352.74	3		10.58



# Set-Screw Type

## Set Screw Couplings



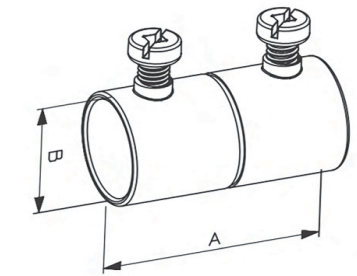
### Features & Benefits:

- Used to join two lengths of EMT.
- Concrete-tight when taped
- Zinc plated steel construction.



Certifications: UL-514B

CAT#	TRADE SIZE IN	A LENGTH IN	B DIA IN	WT /100pcs LBS	PACKAGE INFORMATION		
					INNER CASE	MASTER CASE	WT LBS
SK-50S1	1/2"	1.750	0.88	8.73	25	500	40
SK-75S1	3/4"	2.125	1.06	10.58	25	250	27
SK-100S1	1"	2.500	1.31	18.88	25	200	38
SK-125S1	1 1/4"	3.250	1.69	36.01	25	100	36
SK-150S1	1 1/2"	3.750	1.94	43.87	25	100	41
SK-200S1	2"	4.000	2.38	57.72	25	50	28
SK-250S1	2 1/2"	4.250	3.19	132.98		8	10
SK-300S1	3"	4.500	3.19	169.75		6	10
SK-350S1	3 1/2"	4.750	4.31	216.52		4	9
SK-400S1	4"	5.000	4.81	245.81		4	9



## Set-Screw Connectors



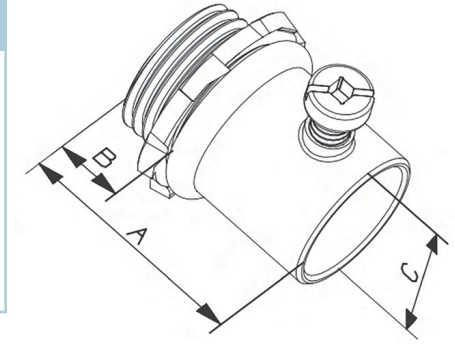
### Features & Benefits:

- Used to join EMT to a box or enclosure.
- Concrete-tight when taped.
- Male hub threads - NPSM
- Zinc Die Cast construction.



Certifications: UL-514B

CAT#	TRADE SIZE IN	A LENGTH IN	B LENGTH IN	C DIA IN	WT /100pcs LBS	PACKAGE INFORMATION		
						INNER CASE	MASTER CASE	WT LBS
SC-50S1	1/2"	1.531	.438	1.313	8.69	25	500	44
SC-75S1	3/4"	1.625	.469	1.563	11.99	25	250	30
SC-100S1	1"	2.250	.563	1.938	18.99	25	200	38
SC-125S1	1 1/4"	2.500	.563	2.250	35.76	25	100	36
SC-150S1	1 1/2"	2.750	.563	2.750	41.13	25	100	41
SC-200S1	2"	3.313	.750	3.563	55.12	25	50	28
SC-250S1	2 1/2"	3.813	.938	4.188	116.84		8	10
SC-300S1	3"	3.938	.938	4.688	153.47		6	10
SC-350S1	3 1/2"	4.188	1.000	5.188	193.12		6	12
SC-400S1	4"	3.750	1.050	4.990	214.34		4	9



# Set-Screw Type

## Insulated Set-Screw Connectors



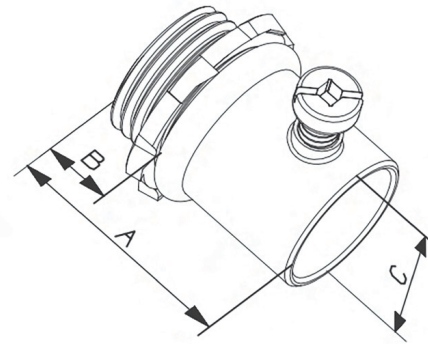
### Features & Benefits:

- Used to join EMT to a box or enclosure.
- Concrete-tight when taped.
- Male hub threads - NPSM
- Zinc Die Cast construction.
- Hi-Performance thermoplastic insulator.



Certifications: UL-514B

CAT#	TRADE SIZE IN	A LENGTH IN	B LENGTH IN	C DIA IN	WT /100pcs LBS	PACKAGE INFORMATION		
						INNER CASE	MASTER CASE	WT LBS
SCI-50S1	1/2"	1.531	.438	1.313	8.73	25	500	43.65
SCI-75S1	3/4"	1.625	.469	1.563	11.46	25	250	28.65
SCI-100S1	1"	2.250	.563	1.938	20.12	25	200	40.24
SCI-125S1	1 1/4"	2.500	.563	2.250	35.89	25	100	35.89
SCI-150S1	1 1/2"	2.750	.563	2.750	40.34	10	100	40.34
SCI-200S1	2"	3.313	.750	3.563	55.56	10	50	27.78
SCI-250S1	2 1/2"	3.813	.938	4.188	120.52		8	9.64
SCI-300S1	3"	3.938	.938	4.688	154.81		6	9.29
SCI-350S1	3 1/2"	4.188	1.000	5.188	154.81		6	9.29
SCI-400S1	4"	3.750	1.050	4.990	213.85		4	8.55



### Compression Connector



### Insulated Set-Screw Connector



# EMT Straps

## One-Hole EMT Conduit Clamps



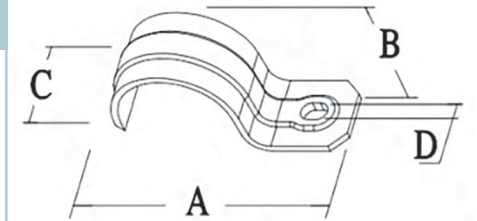
### Features & Benefits:

- Indoor or outdoor, use to secure EMT, Rigid or IMC conduit to wood, masonry or where greater load bearing is required.
- Heavy zinc-plated steel construction
- Inverted rib for added strength
- Snap-on strap for use with EMT Conduit
- UL listed - NEMA/ANSI FB-1 Compliant



Certifications: UL2239

CAT#	TRADE SIZE IN	A LENGTH IN	B LENGTH IN	C DIA IN	WT /100pcs LBS	PACKAGE INFORMATION		
						INNER CASE	MASTER CASE	WT LBS
OES-505S	1/2"	1.657	0.752	0.752	0.905	100	1000	9
OES-75S	3/4"	1.937	0.886	0.945	1.18	100	1000	12
OES-100S	1"	2.276	0.886	0.913	2.30	50	500	12
OES-125S	1 1/4"	2.858	0.886	1.051	3.40	25	250	9
OES-150S	1 1/2"	3.126	0.967	1.126	4.16	10	100	4
OES-200S	2"	3.921	1.138	2.020	8.65	10	100	9



## Two-Hole EMT Conduit Clamps



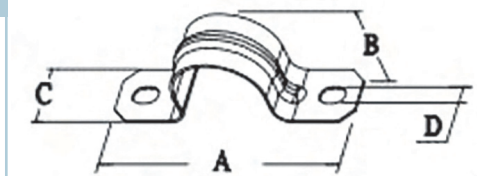
### Features & Benefits:

- Indoor or outdoor, use to secure EMT, Rigid or IMC conduit to wood, masonry or where greater load bearing is required.
- Heavy zinc-plated steel construction
- Inverted rib for added strength
- Snap-on strap for use with EMT Conduit
- UL listed - NEMA/ANSI FB-1 Compliant



Certifications: UL2239

CAT#	TRADE SIZE IN	A LENGTH IN	B HEIGHT IN	C WIDTH IN	D DIA IN	WT /100pcs LBS	PACKAGE INFORMATION		
							INNER CASE	MASTER CASE	WT LBS
TES-505S	1/2"	2.46	0.82	0.61	0.19	0.91	100	1000	9
TES-75S	3/4"	2.83	1.07	0.69	0.19	1.18	100	1000	12
TES-100S	1"	3.36	1.35	0.87	0.25	2.30	50	500	12
TES-125S	1 1/4"	4.11	1.69	0.87	0.25	3.40	25	250	9
TES-150S	1 1/2"	4.65	1.96	0.87	0.25	4.16	10	100	4
TES-200S	2"	5.06	2.43	0.99	0.32	8.65	10	100	9

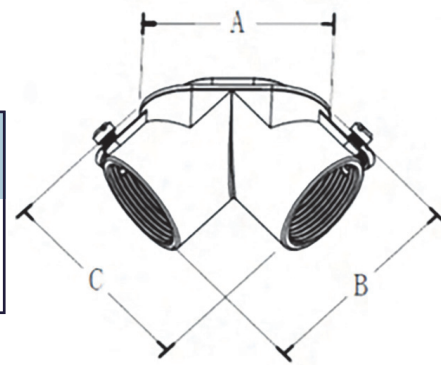


# Combination Pull Elbows

## Set-Screw Pull Elbow - EMT/RIGID to EMT/RIGID

### Features & Benefits:

- Pull Elbows are used to connect two lengths of EMT or to connect to a box or enclosure to form a 90° bend.
- Removable Aluminum Cover & Neoprene gasket to facilitate easy wire pulling
- Rain Tight when assembled when used with Rigid Conduit.
- Zinc Die Cast construction.
- Removable Aluminum Cover with Neoprene Gasket to facilitate easy wire pulling.



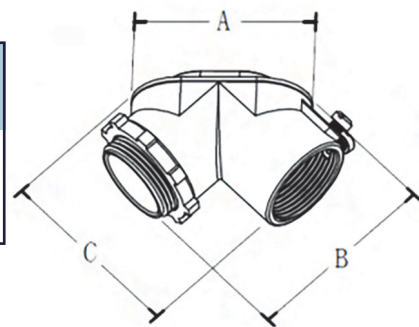
Certifications: UL-514B

CAT#	TRADE SIZE IN	A LENGTH IN	B DIA IN	C DIA IN	WT /100pcs LBS	PACKAGE INFORMATION		
						INNER CASE	MASTER CASE	WT LBS
PE-50	1/2"	1.76	1.96	1.96	14.50	50	600	87
PE-75	3/4"	2.15	1.25	1.25	14.60	50	600	88
PE-100	1"	3.17	3.05	3.05	21.10		25	5
PE-125	1 1/4"	3.24	3.26	3.26	53.95		20	11

## Set-Screw Pull Elbow Connector - EMT/RIGID to Box

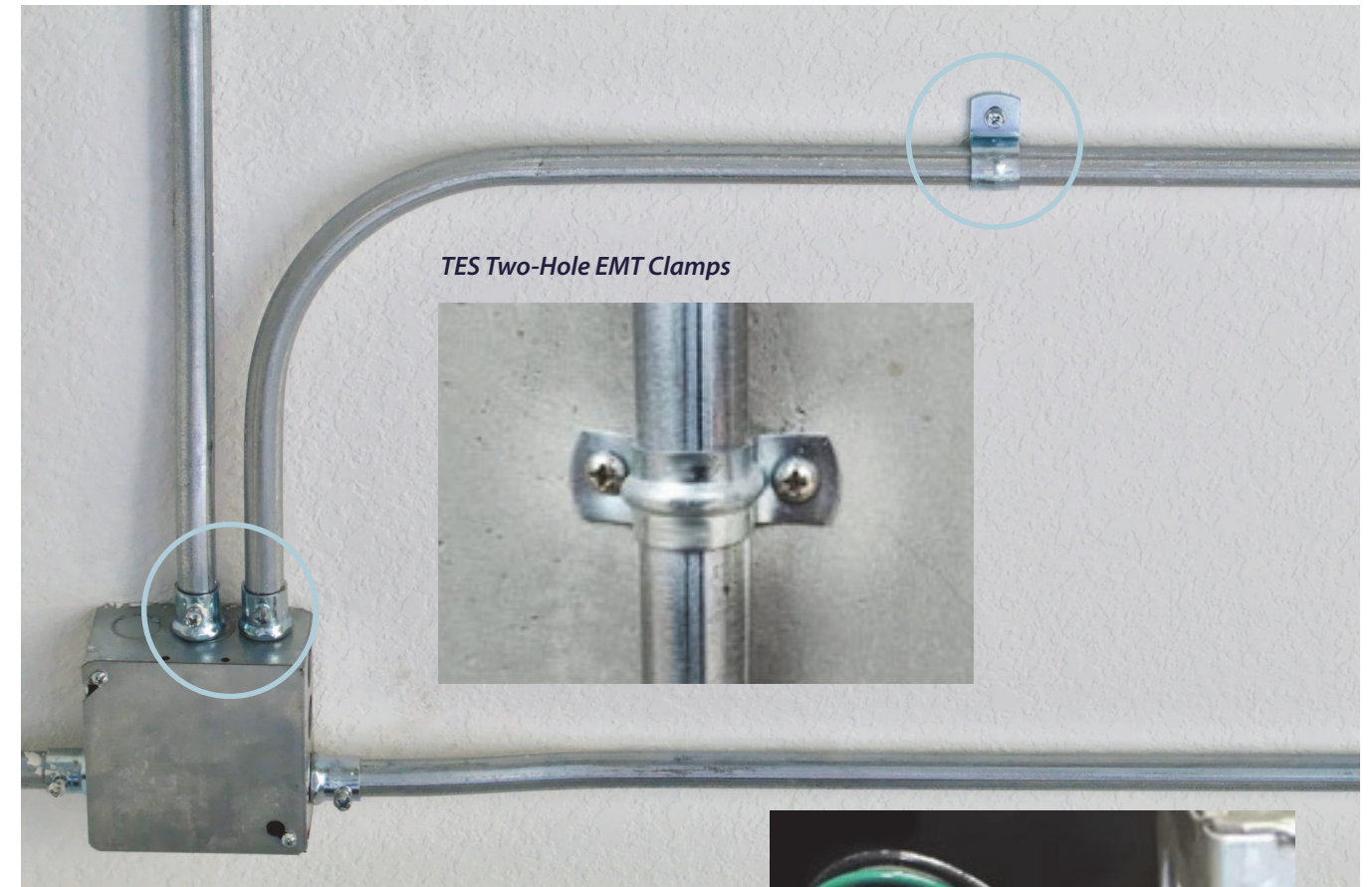
### Features & Benefits:

- Pull Elbows are used to connect two lengths of EMT or to connect to a box or enclosure to form a 90° bend.
- Removable Aluminum Cover & Neoprene gasket to facilitate easy wire pulling.
- Rain Tight when assembled when used with Rigid Conduit.
- Zinc Die Cast construction.
- Removable Aluminum Cover with Neoprene Gasket to facilitate easy wire pulling.



Certifications: UL-514B

CAT#	TRADE SIZE IN	A LENGTH IN	B DIA IN	C DIA IN	WT /100pcs LBS	PACKAGE INFORMATION		
						INNER CASE	MASTER CASE	WT LBS
PEB-50	1/2"	1.76	1.96	1.96	31.90	10	100	32
PEB-75	3/4"	2.15	2.22	2.22	32.12	5	50	8
PEB-100	1"	3.17	3.05	3.05	53.96		25	14
PEB-125	1 1/4"	3.24	3.35	3.35	82.00		20	21



TES Two-Hole EMT Clamps



PEB Pull Elbow

# Chase Nipples

Rigid and IMC

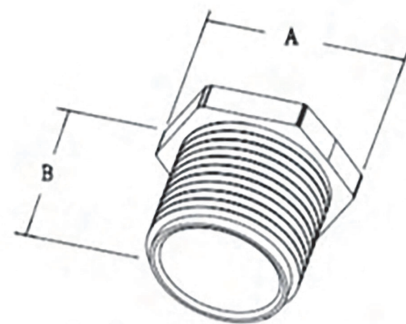


### Features & Benefits:

- When used with a locknut, conduit nipples serve as a short raceway between enclosures.
- Concrete Tight.
- Zinc Die Cast construction.

Certifications: UL-514B

CAT#	TRADE SIZE IN	A WIDTH IN	B LENGTH IN	WT /100pcs LBS	PACKAGE INFORMATION		
					INNER CASE	MASTER CASE	WT LBS
CN-50	1/2"	1.04	0.59	2.2	100	1000	22
CN-75	3/4"	1.34	0.72	3.63	50	500	18
CN-100	1"	1.63	0.78	5.04	25	250	13
CN-125	1 1/4"	2.04	0.88	8.03	25	250	20
CN-150	1 1/2"	2.35	0.91	10.63	25	100	11
CN-200	2"	2.79	1.03	15.69	10	40	7
CN-250	2 1/2"	3.43	1.38	33.22	10	40	14
CN-300	3"	4.04	1.38	41.58	10	40	17
CN-350	3 1/2"	4.59	1.38	55.00	5	20	11
CN-400	4"	5.10	1.38	72.27	5	20	16



# Reducing Bushings

Rigid and IMC

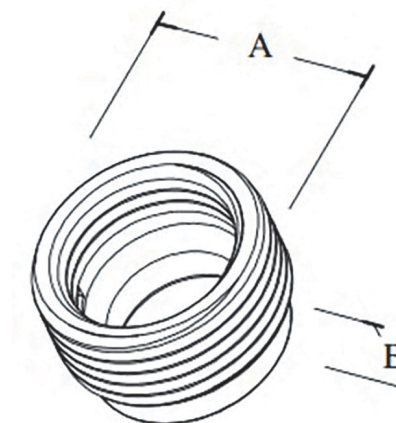


### Features & Benefits:

- Used to reduce the entry size of a run of threaded conduit.
- Straight NPSM for male and female.
- Zinc Plated Steel Construction.

Certifications: UL-514B

CAT#	TRADE SIZE IN	A WIDTH IN	B LENGTH IN	WT /100pcs LBS	PACKAGE INFORMATION		
					INNER CASE	MASTER CASE	WT LBS
1161	3/4" - 1/2"	1.04	0.57	1.68	50	1000	17
1162	1" - 1/2"	1.28	0.64	5.46	25	500	28
1163	1" - 3/4"	1.28	0.69	3.02	25	500	15
1164	1 1/4" - 1/2"	1.63	0.69	12.00	25	250	30
1165	1 1/4" - 3/4"	1.63	0.69	9.56		25	3
1166	1 1/4" - 1"	1.63	0.69	6.24		25	2
1167	1 1/2" - 1/2"	1.86	0.75	20.40		25	5
1168	1 1/2" - 3/4"	1.86	0.75	16.92		25	5
1169	1 1/2" - 1"	1.86	0.75	12.28		25	3
1170	1 1/2" - 1 1/4"	1.86	0.75	5.56		25	2
1171	2" - 1/2"	2.33	0.82	30.00		10	3
1172	2" - 3/4"	2.33	0.82	35.00		10	4
1173	2" - 1"	2.33	0.82	32.00		10	3
1174	2" - 1 1/4"	2.33	0.82	22.00		10	2
1175	2" - 1 1/2"	2.33	0.82	15.70		10	2



# Three Piece Couplings

Rigid and IMC

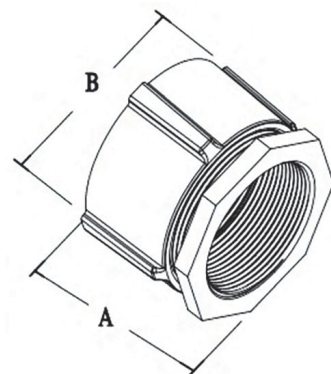


### Features & Benefits:

- Used to join two lengths of threaded rigid conduit or IMC, when neither can be rotated.
- Zinc Pated Malleable Iron.

Certifications: UL-514B

CAT#	TRADE SIZE IN	A WIDTH IN	B LENGTH IN	WT /100pcs LBS	PACKAGE INFORMATION		
					INNER CASE	MASTER CASE	WT LBS
R3K-50M	1/2"	1.36	1.31	12.23	20	200	25
R3K-75M	3/4"	1.41	1.57	12.20	10	100	13
R3K-100M	1"	1.62	1.87	25.90	5	50	13
R3K-125M	1 1/4"	1.83	2.28	40.10	5	50	20
R3K-150M	1 1/2"	1.94	2.59	57.03	3	30	17
R3K-200M	2"	2.23	3.14	82.95	2	20	17
R3K-250M	2 1/2"	3.09	3.72	159.80	1	10	16
R3K-300M	3"	3.19	4.37	198.80	1	5	10
R3K-350M	3 1/2"	3.37	4.90	252.20	1	5	13
R3K-400M	4"	3.45	5.44	313.00	1	2	7
R3K-500M	5"	3.58	7.00	700.00		1	7
R3K-600M	6"	3.79	8.10	1100.00		1	11



Rigid and IMC

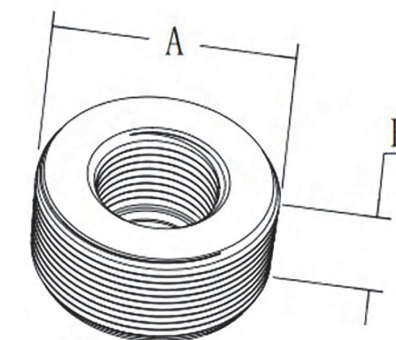


### Features & Benefits:

- Used to reduce the entry size of a run of threaded conduit.
- Straight NPSM for male and female.
- Malleable Iron Construction.

Certifications: UL-514B

CAT#	TRADE SIZE IN	A WIDTH IN	B LENGTH IN	WT /100pcs LBS	PACKAGE INFORMATION		
					INNER CASE	MASTER CASE	WT LBS
RB-400200M	4" - 2"	4.51	1.77	500		1	5
RB-400300M	4" - 3"	4.51	1.77	300		1	3





# Grounding Bushings

Rigid and IMC



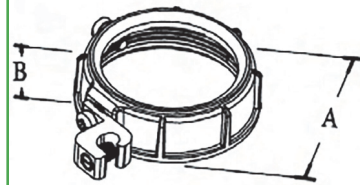
### Features & Benefits:

- Used with locknut to terminate threaded rigid conduit or IMC to a box or enclosure.
- Rounded surface of bushing prevents damage to wire insulation during installation.
- Plastic Ring 105°C
- Zinc Die Cast construction.
- Aluminum Grounding Lug.



Certifications: UL-514B & UL467

CAT#	TRADE SIZE IN	GROUND LUG		A WIDTH IN	B HEIGHT IN	WT /100pcs Lbs	PACKAGE INFORMATION		
		MIN SOLID	MAX STRAND				INNER CASE	MASTER CASE	WT LBS
GB-50	1/2"	#14	#4	1.04	0.38	4.88	50	500	24.42
GB-75	3/4"	#14	#4	1.31	0.41	7.04	50	500	35.20
GB-100	1"	#14	#4	1.59	0.50	8.77	25	250	43.87
GB-125-14	1 1/4"	#14	#4	1.96	0.56	10.89	20	200	21.78
GB-150-14	1 1/2"	#14	#4	2.16	0.56	14.30	10	100	14.30
GB-200-14	2 1/2"	#14	#4	2.67	0.66	17.16	10	100	17.16
GB-250	2 1/2"	#14	1/0	3.23	0.75	28.60		50	14.30
GB-300	3"	#14	1/0	3.85	0.75	39.60		50	19.80
GB-350	3 1/2"	#14	1/0	4.36	0.75	43.00		50	21.50
GB-400	4"	#14	1/0	4.87	0.75	66.00		10	6.60



# Rigid Watertight Hubs

Rigid and IMC



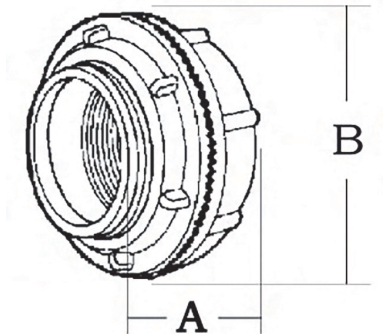
### Features & Benefits:

- Conduit Hubs are used to terminate electrical conduit through the walls of enclosure, indoors and outdoors application specifically for food plants, distilleries, breweries, sewage disposal plants, chemical plants, paper mills, and refineries.
- Zinc Plated Malleable Iron construction.
- Thermoplastic Ring rated to 105°C.



Certifications: UL-514B

CAT#	TRADE SIZE IN	A WIDTH IN	B LENGTH IN	WT /100pcs LBS	PACKAGE INFORMATION		
					INNER Case	MASTER Case	WT LBS
TH-050	1/2"	1.31	1.54	9.10	25	250	23
TH-075	3/4"	1.37	1.73	13.42	10	100	14
TH-100	1"	1.59	2.04	17.06	10	100	17
TH-125	1 1/4"	1.59	2.42	26.00	2	20	5
TH-150	1 1/2"	1.59	2.79	34.20	2	20	7
TH-200	2"	1.59	3.30	44.80		10	5
TH-250	2 1/2"	2.44	3.70	69.00		5	4
TH-300	3"	2.44	4.39	84.00		5	44
TH-350	3 1/2"	2.44	4.88	106.00		5	5
TH-400	4"	2.44	5.50	120.00		1	1



# Insulating Plastic Bushings

Rigid and IMC



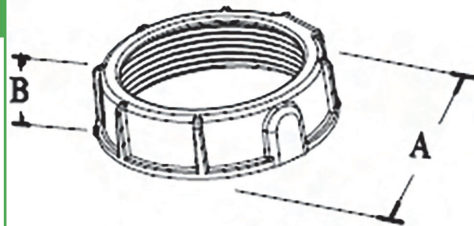
### Features & Benefits:

- Used with locknut to terminate threaded rigid conduit or IMC to a box or enclosure.
- Rounded surface of bushing prevents damage to wire insulation.
- 105°C Flame Retardant Thermoplastic construction.



Certifications: UL-514B

CAT#	TRADE SIZE IN	A WIDTH IN	B LENGTH IN	WT /100pcs LBS	PACKAGE INFORMATION		
					INNER Case	MASTER Case	WT LBS
CB-50P	1/2"	1.06	0.43	1.08	100	1000	11
CB-75P	3/4"	1.31	0.43	1.51	100	1000	16
CB-100P	1"	1.59	0.48	3.01	50	500	15
CB-125P	1 1/4"	1.96	0.56	4.30	20	200	9
CB-150P	1 1/2"	2.18	0.56	5.38	20	200	11
CB-200P	2"	2.68	0.59	6.45	20	200	13
CB-250P	2 1/2"	3.25	0.72	17.20		25	5
CB-300P	3"	3.87	0.75	17.20		25	5
CB-350P	3 1/2"	4.37	0.77	43.00		25	11
CB-400P	4"	5.00	0.77	21.50		10	2



# Rigid Offset Nipples

Zinc Die Cast 3/4" Offset Nipple



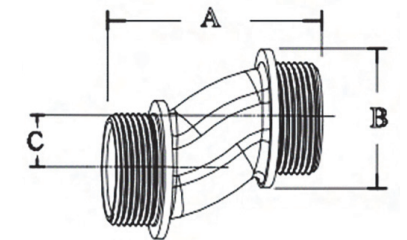
### Features & Benefits:

- Used to offset the axis of raceway by 3/4"
- Zinc Die Cast Construction.



Certifications: UL-514B

CAT#	TRADE SIZE IN	A LENGTH IN	B DIA IN	C DIA IN	WT /100pcs LBS	PACKAGE INFORMATION		
						INNER CASE	MASTER CASE	WT LBS
ON-50	1/2"	2.48	0.95	0.75	11	10	100	11
ON-75	3/4"	2.34	1.18	0.75	11	10	100	11
ON-100	1"	2.67	1.52	0.75	17	10	100	17
ON-125	1 1/4"	2.85	1.81	0.75	34	5	50	17
ON-150	1 1/2"	2.86	2.14	0.75	30	5	50	15
ON-200	2"	2.95	2.60	0.75	72.5	2	20	15



# Compression Connectors

## Rigid and IMC



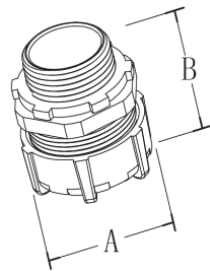
### Features & Benefits:

- Rigid Conduit and IMC compression connector are used to join non-threaded rigid conduit or IMC to box or enclosure.
- Concrete Tight.
- Zinc Plated Steel Construction.



Certifications: UL-514B

CAT#	TRADE SIZE	A WIDTH	B LENGTH	WT	PACKAGE INFORMATION		
	IN	IN	IN	/100pcs LBS	INNER Case	MASTER Case	WT LBS
RCC-50	1/2"	1.18	1.37	12	25	250	30
RCC-75	3/4"	1.42	1.54	12	25	250	30
RCC-100	1"	1.76	1.75	36	25	100	36
RCC-125	1 1/4"	2.16	2.05	48	5	50	24
RCC-150	1 1/2"	2.38	2.12	78		20	16
RCC-200	2"	3.88	2.16	60		20	12



## Rigid and IMC



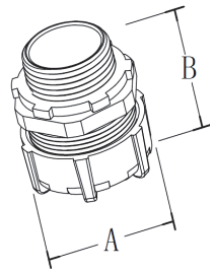
### Features & Benefits:

- Rigid Conduit and IMC compression connector are used to join non-threaded rigid conduit or IMC to box or enclosure.
- Concrete Tight.
- Malleable Iron Construction.



Certifications: UL-514B

CAT#	TRADE SIZE	A WIDTH	B LENGTH	WT	PACKAGE INFORMATION		
	IN	IN	IN	/100pcs LBS	INNER Case	MASTER Case	WT LBS
RCC-250	2 1/2"	2.83	3.49	200	5	10	
RCC-300	3"	4.46	3.69	300	3	9	
RCC-350	3 1/2"	5.01	3.73	300	3	9	
RCC-400	4"	5.53	3.99	300	3	9	



# Insulated Compression Connectors

## Rigid and IMC



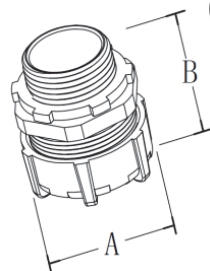
### Features & Benefits:

- Rigid Conduit and IMC compression connector are used to join non-threaded rigid conduit or IMC to a box or enclosure.
- Concrete Tight.
- Insulated Throat - Thermoplastic rated to 105°C.
- Zinc Plated Steel Construction.



Certifications: UL-514B

CAT#	TRADE SIZE	A WIDTH	B LENGTH	WT	PACKAGE INFORMATION		
	IN	IN	IN	/100pcs LBS	INNER Case	MASTER Case	WT LBS
RCCI-50	1/2"	1.18	1.37	12	25	250	30
RCCI-75	3/4"	1.42	1.54	12	25	250	32
RCCI-100	1"	1.76	1.75	36	25	100	36
RCCI-125	1 1/4"	2.16	2.05	48	5	50	24
RCCI-150	1 1/2"	2.38	2.12	60		20	12
RCCI-200	2"	3.88	2.16	78		20	16



# Insulated Compression Connectors

## Rigid and IMC



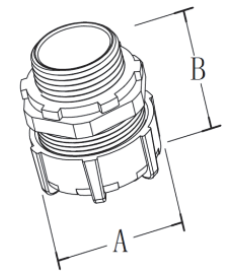
### Features & Benefits:

- Rigid Conduit and IMC compression connector are used to join non-threaded rigid conduit or IMC to box or enclosure.
- Concrete Tight.
- Insulated Throat - Thermoplastic rated to 105°C.
- Malleable Iron Construction.



Certifications: UL-514B

CAT#	TRADE SIZE	A WIDTH	B LENGTH	WT	PACKAGE INFORMATION		
	IN	IN	IN	/100pcs LBS	INNER Case	MASTER Case	WT LBS
RCCI-250	2 1/2"	2.83	3.49	200	5	10	
RCCI-300	3"	4.46	3.69	300	3	9	
RCCI-350	3 1/2"	5.01	3.73	300	3	9	
RCCI-400	4"	5.53	3.99	300	3	9	



# Compression Couplings

## Rigid and IMC



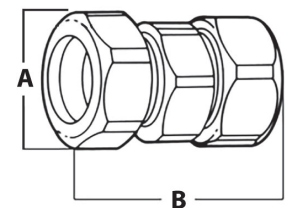
### Features & Benefits:

- Rigid Conduit and IMC Compression Couplings are used to joint two length of Rigid Conduit or IMC.
- Concrete tight.
- Zinc Plated Steel Construction.



Certifications: UL-514B

CAT#	TRADE SIZE	A WIDTH	B LENGTH	WT	PACKAGE INFORMATION		
	IN	IN	IN	/100pcs LBS	INNER Case	MASTER Case	WT LBS
RCP-50	1/2"	1.18	1.72	16	25	250	30
RCP-75	3/4"	1.42	1.99	24	25	250	32
RCP-100	1"	1.76	2.22	36	25	100	36
RCP-125	1 1/4"	2.16	2.48	48	5	50	24
RCP-150	1 1/2"	2.38	2.56	78		20	15
RCP-200	2"	3.88	2.62	60		20	12



## Rigid and IMC



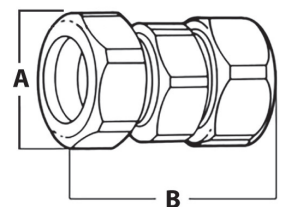
### Features & Benefits:

- Rigid Conduit and IMC Compression Couplings are used to joint two length of Rigid Conduit or IMC.
- Concrete tight.
- Malleable Iron Construction.



Certifications: UL-514B

CAT#	TRADE SIZE	A WIDTH	B LENGTH	WT	PACKAGE INFORMATION		
	IN	IN	IN	/100pcs LBS	INNER CASE	MASTER CASE	WT LBS
RCC-250	2 1/2"	2.83	3.49	200	5	10	
RCC-300	3"	4.46	3.69	300	3	9	
RCC-350	3 1/2"	5.01	3.73	300	3	9	
RCC-400	4"	5.53	3.99	300	3	9	



# Reducing Washers

## Reducing Washer

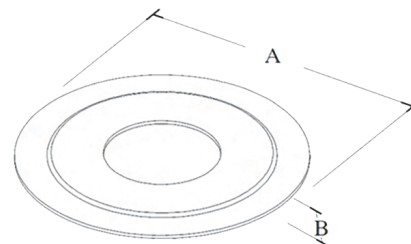


### Features & Benefits:

- Used in pairs to reduce the size of knockout holes.
- Reducing washers press firmly into knockout, providing a secure connection.
- Zinc Plated Steel Construction.

Certifications: UL-514B

CAT#	TRADE SIZE IN	A WIDTH IN	B LENGTH IN	WT /100pcs LBS	PACKAGE INFORMATION		
					INNER CASE	MASTER CASE	WT LBS
RW75-50	3/4" - 1/2"	1.44	0.05	0.450	100	1000	4.50
RW100-50	1" - 1/2"	1.74	0.05	0.730	100	1000	0.73
RW100-75	1" - 3/4"	1.74	0.05	0.515	100	1000	5.15
RW125-50	1 1/4" - 1/2"	2.19	0.05	1.330	50	500	6.65
RW125-75	1 1/4" - 3/4"	2.19	0.05	1.050	50	500	5.25
RW125-100	1 1/4" - 1"	2.19	0.05	0.870	50	500	4.35
RW150-50	1 1/2" - 1/2"	2.44	0.05	1.770	50	500	8.85
RW150-75	1 1/2" - 3/4"	2.44	0.05	1.560	50	500	7.80
RW150-100	1 1/2" - 1"	2.44	0.05	1.350	50	500	6.75
RW150-125	1 1/2" - 1 1/4"	2.44	0.05	1.130	50	500	5.65
RW200-50	2" - 1/2"	3.01	0.05	2.720	25	250	6.80
RW200-75	2" - 3/4"	3.01	0.05	2.420	25	250	6.05
RW200-100	2" - 1"	3.01	0.05	2.600	25	250	6.50
RW200-125	2" - 1 1/4"	3.01	0.05	2.280	25	250	5.70
RW200-150	2" - 1 1/2"	3.01	0.05	1.740	25	250	4.30



# Rigid Straps

## Snap-On One Hole Rigid Straps

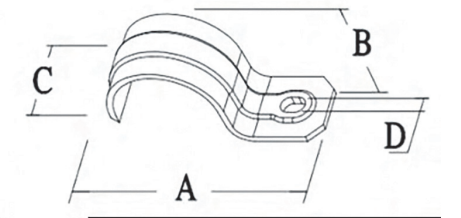


### Features & Benefits:

- Used to support rigid conduit and IMC, liquid tight flexible metallic conduit and liquid tight nonmetallic conduit (type B) to mounting surface.
- Zinc Plated Steel Construction

Certifications: UL-2239

CAT#	TRADE SIZE IN	A LENGTH IN	B DIA IN	C WIDTH IN	D HEIGHT IN	WT /100pcs LBS	PACKAGE INFORMATION		
							INNER CASE	MASTER CASE	WT LBS
ORS-100S	1"	2.60	1.29	0.87	0.36	3.71	50	250	10
ORS-250S	2 1/2"	4.96	2.89	1.24	0.57	17.70	--	50	9
ORS-300S	3"	5.60	3.39	1.24	0.57	23.60	--	25	6
ORS-400S	4"	6.77	4.31	1.24	0.57	28.40	--	25	7



# Locknuts

## Rigid and IMC

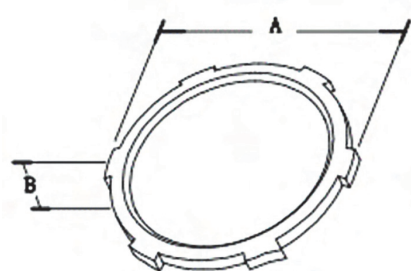


### Features & Benefits:

- Used in harsh vibration environments to fasten threaded conduit to non-threaded opening in a box or enclosure
- Tightens without deforming.
- Zinc Plated Steel Construction.

Certifications: UL-514B

CAT#	TRADE SIZE IN	A Width IN	B LENGTH IN	WT /100pcs LBS	PACKAGE INFORMATION		
					INNER CASE	MASTER CASE	WT LBS
LN-50S	1/2"	1.14	0.23	0.485	100	2000	9.70
LN-75S	3/4"	1.39	0.23	0.725	100	1000	7.25
LN-100S	1"	1.73	0.27	1.330	100	1000	13.30
LN-125S	1 1/4"	2.08	0.27	1.560	50	500	7.80
LN-150S	1 1/2"	2.40	0.30	2.080	50	500	10.40
LN-200S	2"	2.91	0.30	3.040	25	250	7.60
LN-250S	2 1/2"	3.46	0.33	5.400		50	2.70
LN-300S	3"	4.14	0.33	7.300		50	3.65
LN-350S	3 1/2"	4.69	0.33	10.800		25	2.70
LN-400S	4"	5.25	0.34	10.800		25	2.70



## Snap-On Two Hole Rigid Straps

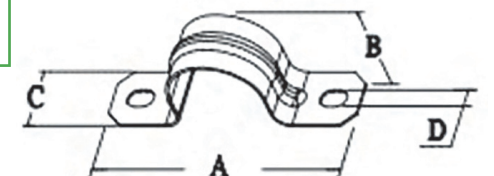


### Features & Benefits:

- Used to support rigid conduit and IMC, liquid tight flexible metallic conduit and liquid tight nonmetallic conduit (Type B) to mounting surface.
- Zinc Plated Steel Construction

Certifications: UL-2239

CAT#	TRADE SIZE IN	A LENGTH IN	B DIA IN	C WIDTH IN	D HEIGHT IN	WT /100pcs LBS	PACKAGE INFORMATION		
							INNER CASE	MASTER CASE	WT LBS
TRS-250S	2 1/2"	5.77	2.91	0.99	0.38	10.40	25	250	2.6
TRS-300S	3"	6.24	3.54	0.99	0.38	12.08	25	300	3
TRS-350S	3 1/2"	7.19	4.02	0.99	0.38	15.92	25	350	4
TRS-400S	4"	7.76	4.52	0.99	0.38	15.92	25	400	4



# Conduit Bodies

## Set Screw LB Type - EMT with Cover and Gasket

### Features & Benefits:

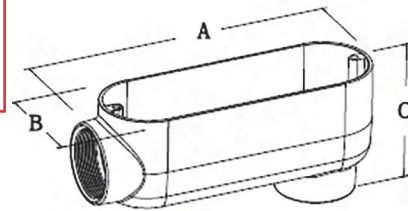
- Acts as pull outlets for conductors being installed and allows for changing direction and making bends in a conduit system.
- Die-cast copper-free aluminum construction is lightweight and corrosion resistant for long reliable service.
- Epoxy powder coat finish provides additional corrosion resistance.
- Rated for wet locations when used with cover and gasket to join threaded rigid conduit.
- Copper-free Aluminum construction with Aluminum covers and Neoprene gaskets and stainless steel screws.



Certifications: UL-514A



CAT#	TRADE SIZE	WIRE MAX QTY	WIRE MAX SIZE	A LENGTH IN	B WIDTH IN	C DEPTH IN	WT /100pcs LBS	PACKAGE INFORMATION		
								INNER CASE	MASTER CASE	WT LBS
LBE-200SC	2"	3	2/0 AWG	10.13	3.10	4.28	140	1	5	14
LBE-250SC	2 1/2"	3	2/0 AWG	12.50	4.45	5.44	148	1	1	2
LBE-300SC	3"	3	4/0 AWG	12.50	4.45	5.68	161	1	1	2
LBE-350SC	3 1/2"	3	500 MCM	15.50	5.50	6.92	260	1	1	3
LBE-400SC	4"	3	500 MCM	15.50	5.50	6.92	277	1	1	3



## Threaded LB Type - RIGID with Cover and Gasket

### Features & Benefits:

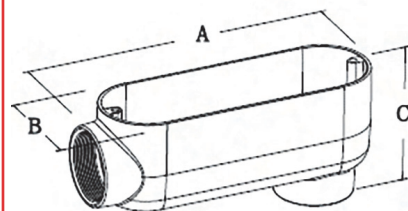
- Acts as pull outlets for conductors being installed and allows for changing direction and making bends in a conduit system.
- Die-cast copper-free aluminum construction is lightweight and corrosion resistant for long reliable service.
- Epoxy powder coat finish provides additional corrosion resistance.
- Rated for wet locations when used with cover and gasket to join threaded rigid conduit.
- Copper-free Aluminum construction with Aluminum covers and Neoprene gaskets and stainless steel screws.



Certifications: UL-514A



CAT#	TRADE SIZE	WIRE MAX QTY	WIRE MAX SIZE	A LENGTH IN	B WIDTH IN	C DEPTH IN	WT /100pcs LBS	PACKAGE INFORMATION		
								INNER CASE	MASTER CASE	WT LBS
LB-50SC	1/2"	1	6 AWG	4.30	1.34	2.15	28	10	100	28
LB-75SC	3/4"	2	6 AWG	5.09	1.54	2.43	38	10	50	38
LB-100SC	1"	3	6 AWG	5.92	1.74	2.77	79	5	25	20
LB-125SC	1 1/4"	3	2 AWG	7.89	2.49	3.67	140	2	10	14
LB-150SC	1 1/2"	3	2 AWG	7.89	2.49	3.67	150	2	10	15
LB-200SC	2"	3	2/0 AWG	10.13	3.10	4.28	280	1	5	14
LB-250SC	2 1/2"	3	2/0 AWG	12.50	4.45	5.44	148	1	1	1.5
LB-300SC	3"	3	4/0 AWG	12.50	4.45	5.68	161	1	1	2
LB-350SC	3 1/2"	3	500 MCM	15.50	5.50	6.92	260	1	1	3
LB-400SC	4"	3	500 MCM	15.50	5.50	6.92	277	1	1	3



# Conduit Bodies

## LB Type - COMBO (EMT/RIGID/IMC) with Cover and Gasket

### Features & Benefits:

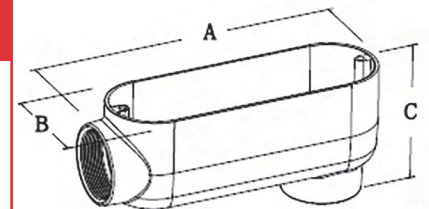
- Acts as pull outlets for conductors being installed and allows for changing direction and making bends in a conduit system.
- Die-cast copper-free aluminum construction is lightweight and corrosion resistant for long reliable service.
- Epoxy powder coat finish provides additional corrosion resistance.
- Rated for wet locations when used with cover and gasket to join threaded rigid conduit.
- Copper-free Aluminum construction with Aluminum covers and Neoprene gaskets and stainless steel screws.



Certifications: UL-514A



CAT#	TRADE SIZE	WIRE MAX QTY	WIRE MAX SIZE	A LENGTH IN	B WIDTH IN	C DEPTH IN	WT /100pcs LBS	PACKAGE INFORMATION		
								INNER CASE	MASTER CASE	WT LBS
LBC-50SC	1/2"	1	6 AWG	4.30	1.34	2.15	28	10	100	28
LBC-75SC	3/4"	2	6 AWG	5.09	1.54	2.43	38	10	50	19
LBC-100SC	1"	3	6 AWG	5.92	1.74	2.77	80	5	25	20
LBC-125SC	1 1/4"	3	2 AWG	7.89	2.49	3.67	140	2	10	14
LBC-150SC	1 1/2"	3	2 AWG	7.89	2.49	3.67	150	2	10	15
LBC-200SC	2"	3	2/0 AWG	10.13	3.10	4.28	280	1	5	14



## Threaded C Type - RIGID with Cover and Gasket

### Features & Benefits:

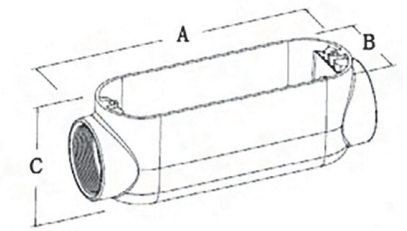
- Acts as pull outlets for conductors being installed and allows for changing direction and making bends in a conduit system.
- Die-cast copper-free aluminum construction is lightweight and corrosion resistant for long reliable service.
- Epoxy powder coat finish provides additional corrosion resistance.
- Rated for wet locations when used with cover and gasket to join threaded rigid conduit.
- Copper-free Aluminum construction with Aluminum covers and Neoprene gaskets and stainless steel screws.



Certifications: UL-514A



CAT#	TRADE SIZE	WIRE MAX QTY	WIRE MAX SIZE	A LENGTH IN	B WIDTH IN	C DEPTH IN	WT /100pcs LBS	PACKAGE INFORMATION		
								INNER CASE	MASTER CASE	WT LBS
C-50SC	1/2"	1	6 AWG	4.75	1.34	1.34	50		100	50
C-75SC	3/4"	2	6 AWG	5.61	1.54	1.59	50		50	25
C-100SC	1"	3	6 AWG	6.46	1.79	1.90	72		25	18
C-125SC	1 1/4"	3	2 AWG	8.11	2.50	2.51	170		25	43
C-150SC	1 1/2"	3	2 AWG	8.11	2.50	2.67	190		10	19
C-200SC	2"	3	2/0 AWG	10.52	3.13	3.36	280		5	14
C-250SC	2 1/2"	3	2/0 AWG	13.27	4.41	4.75	148		1	2
C-300SC	3"	3	4/0 AWG	13.27	4.41	4.75	161		1	2
C-350SC	3 1/2"	3	500 MCM	16.14	5.46	5.87	260		1	3
C-400SC	4"	3	500 MCM	16.14	5.46	5.87	277		1	3



# Conduit Bodies

## C Type - COMBO (EMT/RIGID/IMC) with Cover and Gasket

### Features & Benefits:

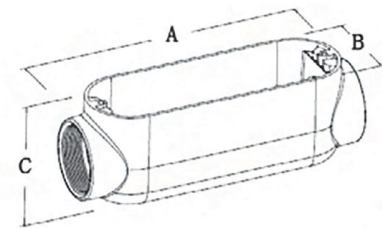
- Acts as pull outlets for conductors being installed and allows for changing direction and making bends in a conduit system.
- Die-cast copper-free aluminum construction is lightweight and corrosion resistant for long reliable service.
- Epoxy powder coat finish provides additional corrosion resistance.
- Rated for wet locations when used with cover and gasket to join threaded rigid conduit.
- Copper-free Aluminum construction with Aluminum covers and Neoprene gaskets and stainless steel screws.



Certifications: UL-514A



CAT#	TRADE SIZE	MAX QTY	WIRE MAX SIZE	A LENGTH IN	B WIDTH IN	C DEPTH IN	WT /100pcs LBS	PACKAGE INFORMATION		
								INNER CASE	MASTER CASE	WT LBS
CC-50SC	1/2"	1	6 AWG	4.75	1.34	1.34	28	10	100	28
CC-75SC	3/4"	2	6 AWG	5.61	1.54	1.59	38	10	50	19
CC-100SC	1"	3	6 AWG	6.46	1.79	1.90	80	5	25	20
CC-125SC	1 1/4"	3	2 AWG	8.11	2.50	2.51	140	2	10	14
CC-150SC	1 1/2"	3	2 AWG	8.11	2.50	2.67	150	2	10	15
CC-200SC	2"	3	2/0 AWG	10.52	3.13	3.36	280	1	5	14



## LLRC Type - COMBO (EMT/RIGID/IMC) with Cover and Gasket

### Features & Benefits:

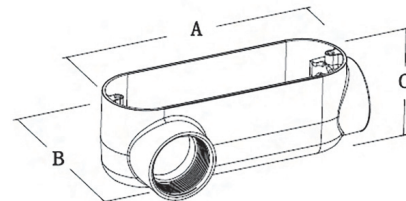
- Acts as pull outlets for conductors being installed and allows for changing direction and making bends in a conduit system.
- Die-cast copper-free aluminum construction is lightweight and corrosion resistant for long reliable service.
- Epoxy powder coat finish provides additional corrosion resistance.
- Rated for wet locations when used with cover and gasket to join threaded rigid conduit.
- Copper-free Aluminum construction with Aluminum covers and Neoprene gaskets and stainless steel screws.



Certifications: UL-514A



CAT#	TRADE SIZE	MAX QTY	WIRE MAX SIZE	A LENGTH IN	B WIDTH IN	C DEPTH IN	WT /100pcs LBS	PACKAGE INFORMATION		
								INNER CASE	MASTER CASE	WT LBS
LLRC-50SC	1/2"	1	6 AWG	4.39	2.04	1.34	36	10	60	26
LLRC-75SC	3/4"	2	6 AWG	5.14	2.29	1.59	46	10	60	26
LLRC-100SC	1"	3	6 AWG	5.91	2.65	1.90	76	5	30	22
LLRC-125SC	1 1/4"	3	2 AWG	7.68	3.42	2.51	150	5	30	22
LLRC-150SC	1 1/2"	3	2 AWG	7.68	3.42	2.67	160	2	10	8
LRC-200SC	2"	3	2/0 AWG	10.04	4.19	3.36	280	1	5	4



# Conduit Bodies

## Threaded T Type - RIGID with Cover and Gasket

### Features & Benefits:

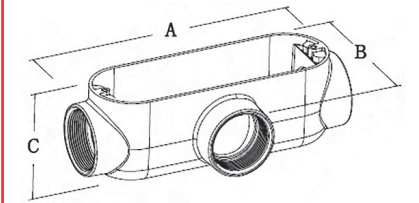
- Acts as pull outlets for conductors being installed and allows for changing direction and making bends in a conduit system.
- Die-cast copper-free aluminum construction is lightweight and corrosion resistant for long reliable service.
- Epoxy powder coat finish provides additional corrosion resistance.
- Rated for wet locations when used with cover and gasket to join threaded rigid conduit.
- Copper-free Aluminum construction with Aluminum covers and Neoprene gaskets and stainless steel screws.



Certifications: UL-514A



CAT#	TRADE SIZE	MAX QTY	WIRE MAX SIZE	A LENGTH IN	B WIDTH IN	C DEPTH IN	WT /100pcs LBS	PACKAGE INFORMATION		
								INNER CASE	MASTER CASE	WT LBS
T-50SC	1/2"	1	6 AWG	4.75	2.04	1.34	34	10	100	34
T-75SC	3/4"	2	6 AWG	5.61	2.29	1.59	46	10	50	23
T-100SC	1"	3	6 AWG	6.46	2.65	1.90	76	5	25	19
T-125SC	1 1/4"	3	2 AWG	8.11	3.42	2.51	140	2	10	14
T-150SC	1 1/2"	3	2 AWG	8.11	3.42	2.67	150	2	10	15
T-200SC	2"	3	2/0 AWG	10.52	4.19	3.36	140	1	5	14
T-250SC	2 1/2"	3	2/0 AWG	13.27	4.41	4.75	148		1	2
T-300SC	3"	3	4/0 AWG	13.27	4.41	4.75	161		1	2
T-350SC	3 1/2"	3	500 MCM	16.14	5.46	5.87	260		1	3
T-400SC	4"	3	500 MCM	16.14	5.46	5.87	277		1	3



## T Type - COMBO (EMT/RIGID/IMC) with Cover and Gasket

### Features & Benefits:

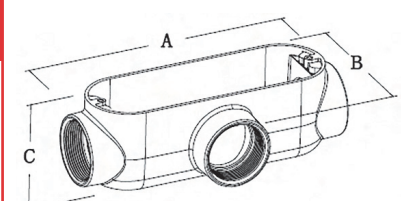
- Acts as pull outlets for conductors being installed and allows for changing direction and making bends in a conduit system.
- Die-cast copper-free aluminum construction is lightweight and corrosion resistant for long reliable service.
- Epoxy powder coat finish provides additional corrosion resistance.
- Rated for wet locations when used with cover and gasket to join threaded rigid conduit.
- Copper-free Aluminum construction with Aluminum covers and Neoprene gaskets and stainless steel screws.



Certifications: UL-514A



CAT#	TRADE SIZE	MAX QTY	WIRE MAX SIZE	A LENGTH IN	B WIDTH IN	C DEPTH IN	WT /100pcs LBS	PACKAGE INFORMATION		
								INNER CASE	MASTER CASE	WT LBS
TC-50SC	1/2"	1	6 AWG	4.75	2.04	1.34	36	10	100	36
TC-75SC	3/4"	2	6 AWG	5.61	2.29	1.59	46	10	50	23
TC-100SC	1"	3	6 AWG	6.46	2.65	1.90	76	5	25	19
TC-125SC	1 1/4"	3	2 AWG	8.11	3.42	2.51	150	2	10	15
TC-150SC	1 1/2"	3	2 AWG	8.11	3.42	2.67	160	2	10	16
TC-200SC	2"	3	2/0 AWG	10.52	4.19	3.36	280	1	5	14



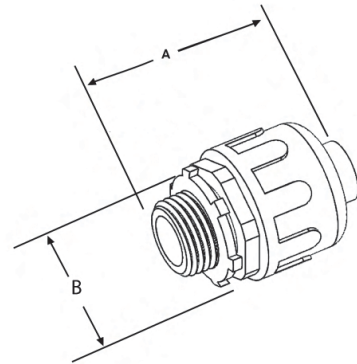
# Non-Metallic Liquidtight Fittings

## Straight Connectors



### Features & Benefits:

- Liquid-tight connectors are used to terminate and seal Liquid-Tight Flexible Type B Non-Metallic Conduit to either an oil-tight, liquid-tight or rain-tight box or enclosure.
- Resists salt water, weak acids, gasoline, alcohol, oil, grease and common solvents.
- For use in dry or wet locations.
- No disassembly required.
- Reusable.
- Constructed with 6/6 Nylon
- Straight Type - Gray



Certifications: UL-514B

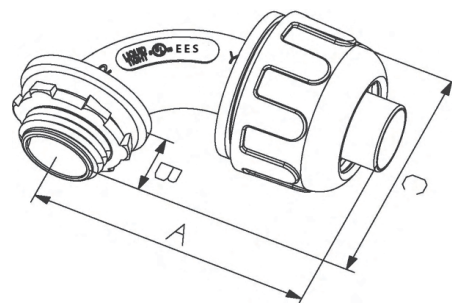
CAT#	TRADE SIZE	A	B	WT	PACKAGE INFORMATION		
	IN	Width IN	LENGTH IN	/100pcs LBS	INNER CASE	MASTER CASE	WT LBS
NMLT-1038	3/8"	2.04	1.43	2.50	25	100	2.50
NMLT-1050	1/2"	2.11	1.43	2.50	25	100	2.50
NMLT-1075	3/4"	2.20	1.68	3.40	25	100	3.40
NMLT-1100	1"	2.28	1.99	5.80	5	50	2.90
NMLT-1125	1 1/4"	2.46	2.39	8.20	5	25	2.05
NMLT-1150	1 1/2"	2.72	2.65	10.80	2	10	1.08
NMLT-1200	2"	3.05	3.22	18.20	2	10	1.82

## 90° Connectors



### Features & Benefits:

- Liquid-tight connectors are used to terminate and seal Liquid-Tight Flexible Type B Non-Metallic Conduit to either an oil-tight, liquid-tight or rain-tight box or enclosure.
- Resists salt water, weak acids, gasoline, alcohol, oil, grease and common solvents.
- For use in dry or wet locations.
- No disassembly required.
- Reusable.
- Constructed with 6/6 Nylon
- Straight Type - Gray



Certifications: UL-514B

CAT#	TRADE SIZE	A	B	C	WT	PACKAGE INFORMATION		
	IN	LENGTH IN	LENGTH IN	LENGTH IN	/100pcs LBS	INNER CASE	MASTER CASE	WT LBS
NMLT-9038	3/8"	2.84	0.50	2.03	2.80	10	100	2.80
NMLT-9050	1/2"	2.84	0.50	2.03	2.80	10	100	2.80
NMLT-9075	3/4"	3.25	0.50	2.33	4.00	10	100	4.00
NMLT-9100	1"	3.54	0.60	2.95	7.40	10	50	3.70
NMLT-9125	1 1/4"	4.75	0.76	5.20	12.80	5	25	3.20
NMLT-9150	1 1/2"	4.75	0.80	5.20	15.60	2	10	1.56
NMLT-9200	2"	5.40	0.86	5.80	25.60	2	10	2.56

# Metallic Liquidtight Fittings

## Zinc Die Cast Straight Connectors



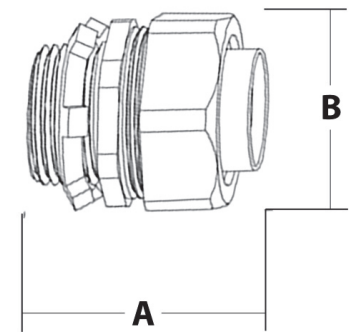
### Features & Benefits:

- Used to terminate and seal Liquid-Tight Flexible Metallic and Non-Metallic Type B Conduits to either an oil-tight, liquid-tight or rain-tight box or enclosure.
- Connectors can be used with tapered thread female entry or non-threaded knock-out using the provided sealing washer and locknut.
- For use in dry or wet locations.
- No disassembly required.
- Reusable.
- Zinc Die Cast Construction.



Certifications: UL-514B

CAT#	TRADE SIZE	A	B	WT	PACKAGE INFORMATION		
	IN	Width IN	LENGTH IN	/100pcs LBS	INNER CASE	MASTER CASE	WT LBS
LT-38	3/8"	1.24	1.28	7.00	20	200	14.00
LT-50	1/2"	1.32	1.34	7.02	20	200	14.04
LT-75	3/4"	1.35	1.62	8.40	10	100	8.40
LT-100	1"	1.71	1.92	14.40	5	50	7.70
LT-125	1 1/4"	1.84	2.35	21.40	5	50	10.70
LT-150	1 1/2"	1.86	2.63	26.42	2	20	1.08
LT-200	2"	1.95	3.18	35.91	2	20	1.82
LT-250	2 1/2"	2.69	3.52	64.00	1	5	3.20
LT-300	3"	2.90	4.24	90.00	1	5	4.50
LT-400	4"	3.18	5.31	136.00	1	5	6.80



## Zinc Die Cast 90° Connectors



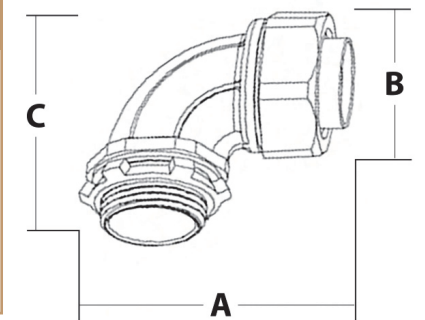
### Features & Benefits:

- Used to terminate and seal Liquid-Tight Flexible Metallic and Non-Metallic Type B Conduits to either an oil-tight, liquid-tight or rain-tight box or enclosure.
- Connectors can be used with tapered thread female entry or non-threaded knock-out using the provided sealing washer and locknut.
- For use in dry or wet locations.
- No disassembly required.
- Reusable.
- Zinc Die Cast Construction.



Certifications: UL-514B

CAT#	TRADE SIZE	A	B	C	WT	PACKAGE INFORMATION		
	IN	LENGTH IN	WIDTH IN	LENGTH IN	/100pcs LBS	INNER CASE	MASTER CASE	WT LBS
LT90-38	3/8"	2.40	1.28	1.99	7.55	10	100	7.55
LT90-50	1/2"	2.42	1.34	2.08	7.62	10	100	7.62
LT90-75	3/4"	2.50	1.62	2.36	10.18	10	100	10.18
LT90-100	1"	3.08	1.92	2.19	20.52	5	50	10.26
LT90-125	1 1/4"	3.63	2.35	3.29	34.20	2	20	6.84
LT90-150	1 1/2"	3.98	2.63	3.72	41.28	2	20	8.26
LT90-200	2"	4.75	3.18	4.36	57.56	1	10	5.76
LT90-250	2 1/2"	5.60	3.52	5.20	94.80	1	5	0.95
LT90-300	3"	6.47	4.24	5.91	133.40	1	5	1.33
LT90-400	4"	7.56	5.31	6.93	220.00	1	5	2.20



# Metallic Liquidtight Fittings

## Malleable Iron Straight Connectors with Insulated Throat

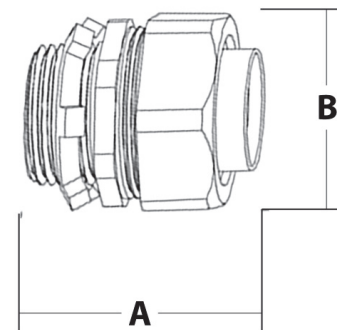
### Features & Benefits:

- Used to terminate and seal Liquid-Tight Flexible Metallic and Non-Metallic Type B Conduits to either an oil-tight, liquid-tight or rain-tight box or enclosure.
- Connectors can be used with tapered thread female entry or non-threaded knock-out using the provided sealing washer and locknut.
- For use in dry or wet locations.
- No disassembly required.
- Reusable.
- Malleable Iron Construction.



Certifications: UL-514B

CAT#	TRADE SIZE IN	A Width IN	B LENGTH IN	WT /100pcs LBS	PACKAGE INFORMATION		
					INNER CASE	MASTER CASE	WT LBS
LTI-38M	3/8"	1.18	1.72	15.5	20	200	31
LTI-50M	1/2"	1.36	1.73	16.5	20	200	33
LTI-75M	3/4"	1.61	1.81	25	10	100	25
LTI-100M	1"	1.89	1.85	36	5	50	18
LTI-125M	1 1/4"	2.39	2.06	56	5	50	28
LTI-150M	1 1/2"	2.62	3.38	75	2	20	15
LTI-200M	2"	3.24	2.49	110	2	20	22
LTI-250M	2 1/2"	3.89	3.21	200		1	2
LTI-300M	3"	4.74	3.37	300		1	3
LTI-350M	3 1/2"	5.31	3.40	400		1	4
LTI-400M	4"	5.82	3.68	500		1	5



# Liquidtight Accessories

## Sealing Rings

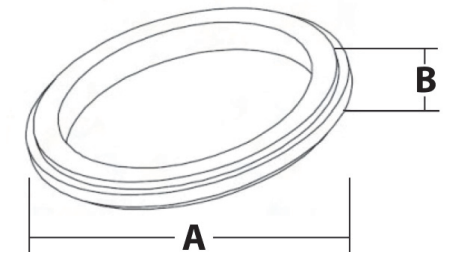
### Features & Benefits:

- Sealing rings are used to form a liquid tight seal with a connector to a box or enclosure.
- Zinc Plated Steel construction.
- NBR Gasket



Certifications: UL-514B

CAT#	TRADE SIZE IN	A Width IN	B LENGTH IN	WT /100pcs LBS	PACKAGE INFORMATION		
					INNER CASE	MASTER CASE	WT LBS
SR-50	1/2"	1.14	0.16	0.928	2500	23.20	
SR-75	3/4"	1.37	0.16	1.200	2000	24.00	
SR-100	1"	1.62	0.16	1.300	1500	19.50	
SR-125	1 1/4"	1.98	0.16	1.716	1000	17.16	
SR-150	1 1/2"	2.25	0.16	2.900	500	14.50	
SR-200	2"	2.75	0.16	2.486	2000	49.72	
SR-250	2 1/2"	3.48	0.19	6.49	100	6.49	
SR-300	3"	4.24	0.19	8.47	100	8.47	
SR-350	3 1/2"	4.57	0.19	10.26	100	10.26	
SR-400	4"	5.24	0.19	10.98	100	10.98	



## Malleable Iron 90° Connectors with Insulated Throat

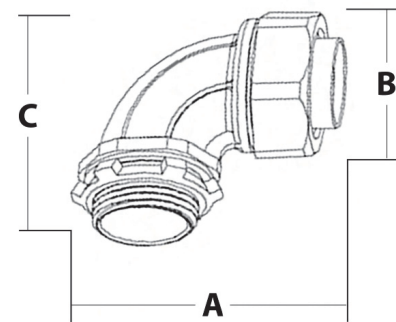
### Features & Benefits:

- Used to terminate and seal Liquid-Tight Flexible Metallic and Non-Metallic Type B Conduits to either an oil-tight, liquid-tight or rain-tight box or enclosure.
- Connectors can be used with tapered thread female entry or non-threaded knock-out using the provided sealing washer and locknut.
- For use in dry or wet locations.
- No disassembly required.
- Reusable.
- 90° Bend Radius.
- Malleable Iron Construction.



Certifications: UL-514B

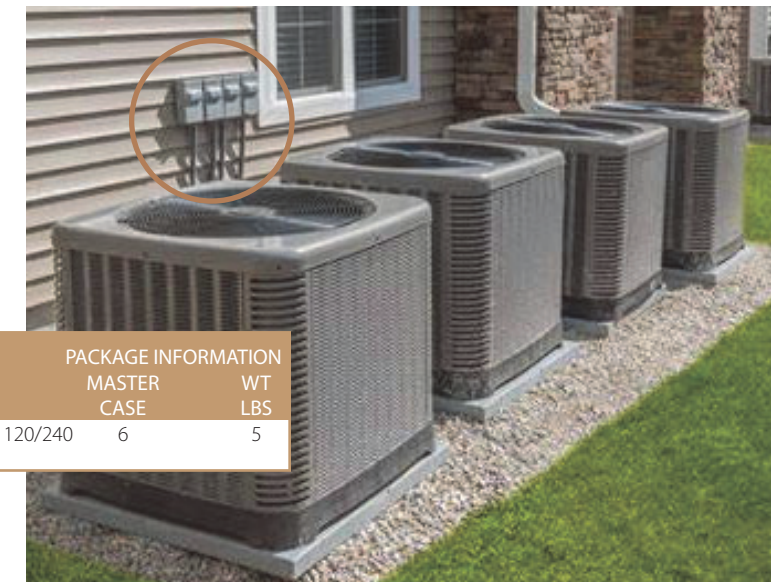
CAT#	TRADE SIZE IN	A LENGTH IN	B WIDTH IN	C LENGTH IN	WT /100pcs LBS	PACKAGE INFORMATION		
						INNER CASE	MASTER CASE	WT LBS
LTI90-38M	3/8"	1.18	1.96	2.47	26	10	100	26
LTI90-50M	1/2"	1.36	2.10	2.54	28	10	100	28
LTI90-75M	3/4"	1.61	2.45	2.82	41	10	100	41
LTI90-100M	1"	1.89	2.83	3.08	62	5	50	31
LTI90-125M	1 1/4"	2.39	3.15	3.53	100	2	20	20
LTI90-150M	1 1/2"	2.62	3.50	4.17	125	2	20	25
LTI90-200M	2"	3.24	4.02	4.69	190	1	10	19
LTI90-250M	2 1/2"	3.89	6.23	6.74	500		1	5
LTI90-300M	3"	4.74	6.91	7.52	700		1	7
LTI90-350M	3 1/2"	5.31	7.57	7.93	900		1	9
LTI90-400M	4"	5.82	8.07	8.72	1400		1	14



## AC Disconnect

### Features & Benefits:

- AC Disconnect, 60 Amp Non-Fused Pullout, 120/240 Volt, Heavy Duty Steel Enclosure, Powder coated for superior protection and durability, UL Listed, Consult a licensed Electrician for installation instructions
- UL LISTED For Wet Locations
- Unique Pull down door helps keep moisture and debris from entering



CAT#	DESCRIPTION	PACKAGE INFORMATION	
		MASTER CASE	WT LBS
ACD49	AC DISCONNECT, 60AMP, NON-FUSED PULLOUT 120/240	6	5

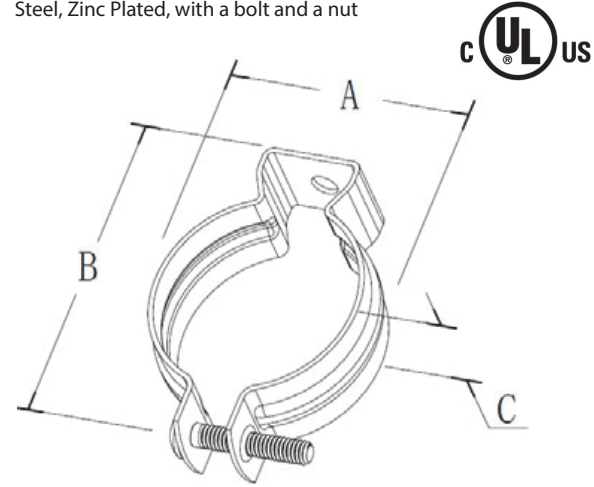
# Conduit Support

## Pipe Hangers



### Features & Benefits:

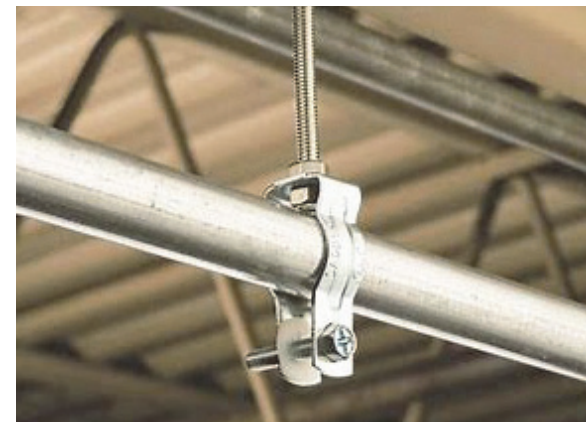
- Used to secure and suspend EMT, rigid, IMC and PVC conduits from overhead supports.
- Steel, Zinc Plated, with a bolt and a nut



Certifications: UL-2239

CAT#	EMT SIZE IN	RIGID SIZE IN	BOLT SIZE IN	A LENGTH IN	B WIDTH IN	C LENGTH IN	WT /100pcs LBS	PACKAGE INFORMATION		
								INNER CASE	MASTER CASE	WT LBS
PH-50CB	1/2"	3/8 or 1/2"	1/4-20 x 1"	0.93	2.02	0.73	5.40	100	5.40	
PH-75CB	3/4"	3/4"	1/4-20 x 1"	1.14	2.26	0.73	7.20	100	7.20	
PH-100CB	1"	1"	1/4-20 x 1"	1.50	2.56	0.87	7.20	100	7.20	
PH-105CB	1 1/4"		1/4-20 x 1 1/4"	1.70	2.79	0.87	9.00	100	9.00	
PH-125CB	1 1/2"	1 1/4"	1/4-20 x 1 1/4"	1.93	3.01	0.87	9.00	100	9.00	
PH-150CB	1 1/2"	1 1/2"	1/4-20 x 1 1/4"	2.14	3.32	1.00	16.20	100	16.20	
PH-200CB	2"	2"	1/4-20 x 2"	2.61	3.76	1.00	18.00	50	9.00	
PH-250CB	2 1/2"	2 1/2"	1/4-20 x 2"	3.14	4.44	1.21	19.80	50	9.90	
PH-300CB	3"	3"	1/4-20 x 2"	3.77	5.08	1.20	21.60	25	5.40	
PH-350CB	3 1/2"	3 1/2"	1/4-20 x 2"	4.30	5.59	1.20	28.80	25	7.20	
PH-400CB	4"	4"	1/4-20 x 2"	4.80	6.07	1.20	43.20	25	10.80	

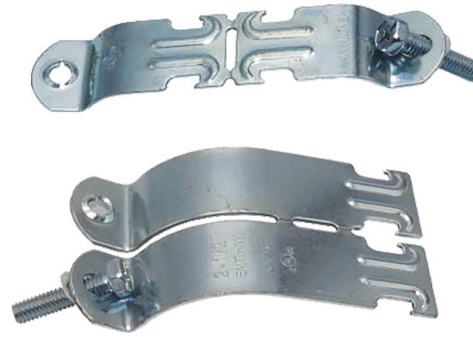
Pipe Hanger



Pipe Hanger

# Conduit Support

## Universal Conduit Clamps

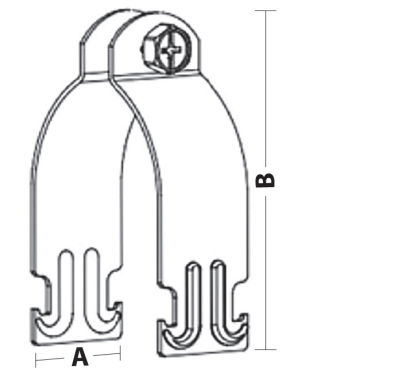


### Features & Benefits:

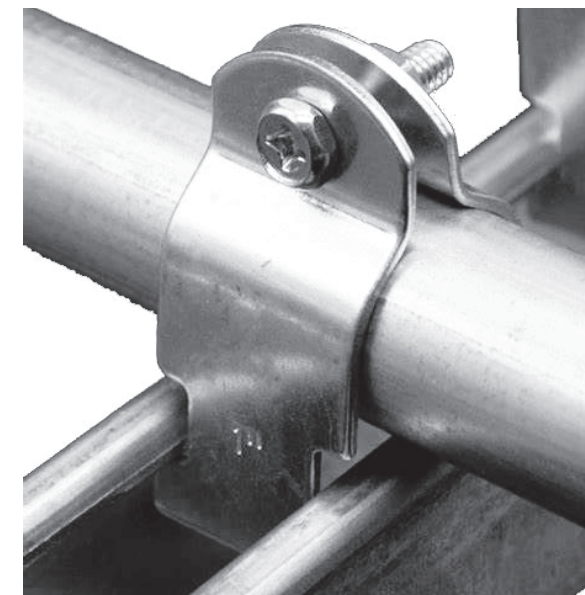
- Universal Conduit Clamps are used to secure EMT, IMC and Rigid conduit.
- For use with EMT, RIGID, & IMC Conduit
- Zinc Plated Steel
- Captive Screw Zinc Plated Steel

Certifications: UL-2239

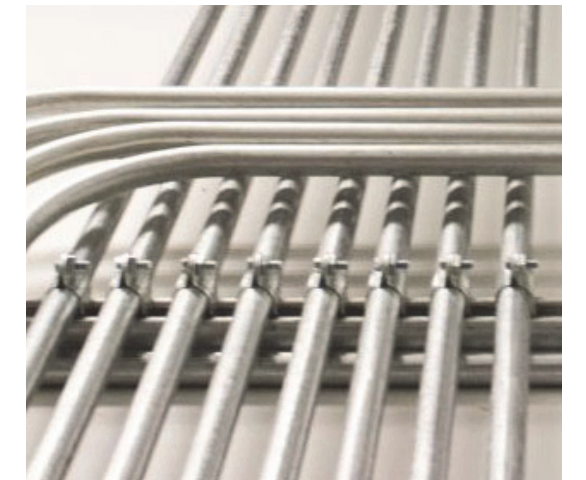
CAT#	RIGID/IMC SIZE IN	EMT SIZE IN	A Width IN	B LENGTH IN	WT /100pcs LBS	PACKAGE INFORMATION		
						INNER CASE	MASTER CASE	WT LBS
PS-50NS	1/2"	1/2"	2.23	1.24	10.14		100	10.14
PS-75NS	3/4"	3/4"	2.42	1.24	11.02		100	11.02
PS-100NS	1"	1"	2.77	1.24	13.67		100	13.67
PS-125NS	1 1/4"	1 1/4"	3.09	1.24	13.89		100	13.89
PS-150NS	1 1/2"	1 1/2"	3.38	1.24	16.09		100	16.20
PS-200NS	2"	2"	3.77	1.24	17.42		50	8.71
PS-250NS	2 1/2"	2 1/2"	4.47	1.24	26.46		50	13.23
PS-300NS	3"	3"	5.08	1.24	29.76		25	7.44
PS-350NS	3 1/2"	3 1/2"	5.74	1.24	33.51		25	8.38
PS-400NS	4"	4"	6.30	1.24	36.60		25	9.15



Universal Conduit Clamp



Universal Conduit Clamp





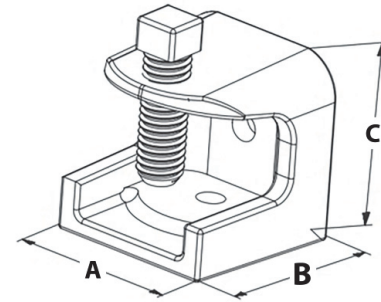
# Hanging & Support

## Beam Clamps



### Features & Benefits:

- Case hardened steel bolt
- Tapped threads back and bottom
- High-strength malleable iron
- Malleable Iron Beam Clamps are used for the attachment of conduit hangers-either directly or by means of threaded rod.



Certifications: UL-2239

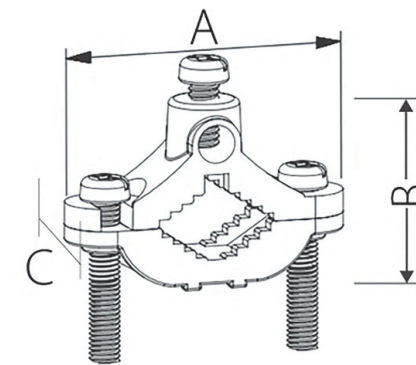
CAT#	JAW OPENING IN	TAP SIZE IN	A LENGTH IN	B WIDTH IN	C HEIGHT IN	WT /100pcs LBS	PACKAGE INFORMATION		
							INNER CASE	MASTER CASE	WT LBS
BC-100M	3/4"	1/4"-20	1.11	1.38	1.28	22		50	11
BC-200M	7/8"	3/8"-16	1.98	1.89	1.75	46		50	23

## Grounding Clamps



### Features & Benefits:

- GC-50/100 is used to connect 2 to 8 AWG bare or armored copper grounding wire to 1/2, 3/4 or 1 in pipe or 3/4, 1 in ground rod, or 1/2 in and 3/4 in copper water pipe.
- Body: Zinc Die Cast
- Screw: Steel



Certifications: UL-467

CAT#	TRADE SIZE IN	WIRE RANGE AWG	A LENGTH IN	B DEPTH IN	C WIDTH IN	WT /100pcs LBS	PACKAGE INFORMATION		
							INNER CASE	MASTER CASE	WT LBS
GC-50/100	1/2"-1"	2-8	2.25	1.37	1.00	80.0		250	200

# Accessories

## Snap-In Seals

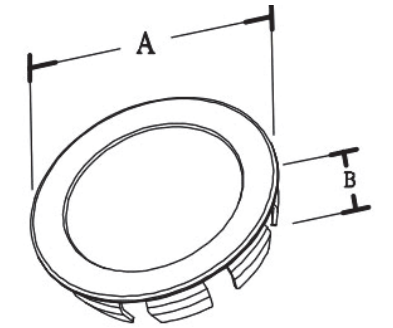


### Features & Benefits:

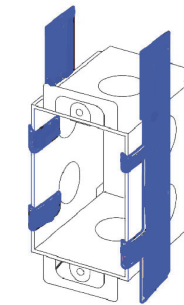
- Installs into unused box knockout
- Steel/Zinc Plated
- Suitable for airtight and dust tight application.

Certifications: UL-2239

CAT#	TRADE SIZE IN	A Width IN	B LENGTH IN	WT /100pcs LBS	PACKAGE INFORMATION		
					INNER CASE	MASTER CASE	WT LBS
KS-50S	1/2"	1.08	0.29	1.8		100	1.8
KS-75S	3/4"	1.23	0.31	1.9		100	1.9
KS-100S	1"	1.47	0.34	2.0		50	1.0
KS-125S	1 1/4"	1.88	0.37	2.4		50	1.2
KS-150S	1 1/2"	2.22	0.31	2.6		50	1.3
KS-200S	2"	2.67	0.34	2.8		50	1.4



## Switch Box Support Brackets



### Features & Benefits:

- Used to secure a switch box in a hollow wall cavity of plaster or drywall.
- Galvanized steel construction.



CAT #	DESCRIPTION	PACKAGE INFORMATION		
		CUBIC INCHES	CASE QTY	CASE WT
820D	F-BRACKET, BOX SUPPORT		1000	10

# Gangable Device Boxes

## 3 X 2" Steel Boxes



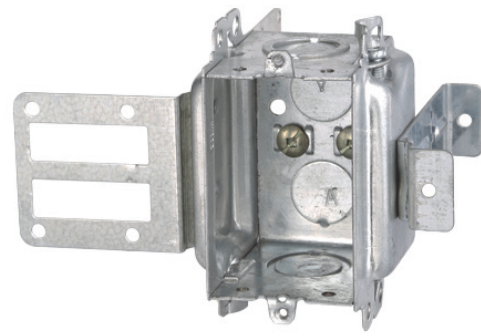
### Features & Benefits:

- Gangable for multiple switch or device installation.
- Plaster ears allow easy cut in when outlets or switches need to be added to existing wall.
- Galvanized steel construction.



CAT #	DESCRIPTION	KNOCKOUTS	PACKAGE INFORMATION		
			CUBIC INCHES	CASE QTY	CASE WT
1004-L	3" DEEP GANGABLE DEV BOX C/W CABLE CLAMPS/FLUSH EARS	ENDS: (4) PRY OUT	15.0	50	28
1004-LH	3" DEEP GANGABLE DEV BOX C/W CABLE CLAMPS	ENDS: (4) PRY OUT	15.0	50	27
1100-L	1 1/2" DEEP GANGABLE DEV BOX C/W CABLE CLAMPS/FLUSH EARS	ENDS: (4) PRY OUT	8.0	50	17
1102-L	2" DEEP GANGABLE DEV BOX C/W CABLE CLAMPS/FLUSH EARS	ENDS: (4) PRY OUT	10.0	30	12
1102-LH	2" DEEP GANGABLE DEV BOX C/W CABLE CLAMPS	ENDS: (4) PRY OUT	10.0	30	13
1104-K	2 1/2" DEEP GANGABLE DEV BOX, CONCENTRIC KO	ENDS: (4) CON 1/2 & 3/4" BOTTOM: (2) CON 1/2 & 3/4"	12.5	50	14
1104-L	2 1/2" DEEP GANGABLE DEV BOX C/W CABLE CLAMPS/FLUSH EARS	ENDS: (4) PRY OUT	12.5	50	27
1104-LA	2 1/2" DEEP GANGABLE DEV BOX C/W CABLE CLAMPS/FLUSH EARS	ENDS: (4) PRY OUT	12.5	50	25
1104-LH	2 1/2" DEEP GANGABLE DEV BOX C/W CABLE CLAMPS	ENDS: (4) PRY OUT	12.5	50	27
1104-LHA	2 1/2" DEEP GANGABLE DEV BOX C/S CABLE CLAMPS/MTG SLOTS	ENDS: (4) PRY OUT	12.5	50	23
1304-LHTQ	2 1/2" DEEP GANGABLE BUBBLE BOX, C/W CABLE CLAMPS	ENDS: (4) PRY OUT	14.5	50	23

## 3 X 2" Steel Boxes - Wraparound Bracket



### Features & Benefits:

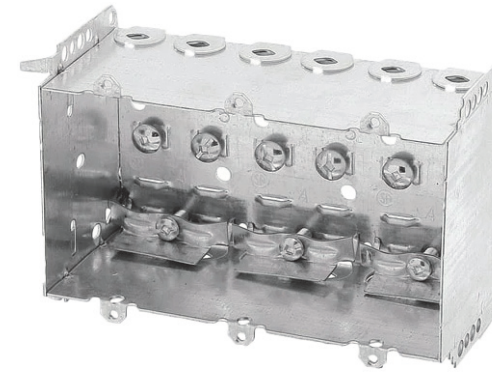
- Gangable for multiple switch or device installation.
- Plaster ears allow easy cut in when outlets or switches need to be added to existing wall.
- Galvanized steel construction.



CAT #	DESCRIPTION	KNOCKOUTS	PACKAGE INFORMATION		
			CUBIC INCHES	CASE QTY	CASE WT
3102-SSX	2" DEEP, 1/2" KO W-BRKT FOR 1 5/8" STEEL STUDS,	ENDS: (2) 1/2"	12.0	24	12
3104-KSSX	2 1/2" DEEP, CONCENTRIC KO W-BRKT FOR 2 1/2" & 3 5/8" STEEL STUDS	ENDS: (2) CON 1/2" & 3/4" BOTTOM: (2) 1/2"	16.0	24	14
3104-KSSX-1	2 1/2" DEEP, MC CLAMP 1/2" KO (FOR DOUBLE DRYWALL)	ENDS: (2) CON 1/2" & 3/4" BOTTOM: (2) 1/2"	16.0	24	14
3104-LSSAX	2 1/2" DEEP, MC CLAMP W-BRKT FOR 2 1/2" & 3 5/8" STEEL STUDS	ENDS: (4) PRY OUT	16.0	24	17
3104-LSSAX-1	2 1/2" DEEP, MC CLAMPS, FOR DOUBLE DRYWALL	ENDS: (4) PRY OUT	16.0	24	17

# Gang Device Boxes

## 2 1/2" Deep



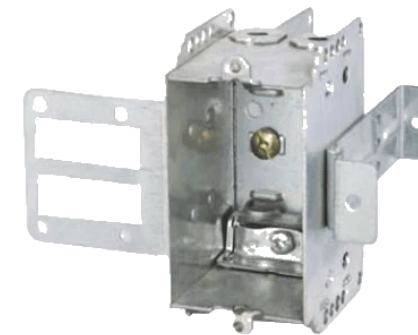
### Features & Benefits:

- Gang Boxes are used to install single or multiple devices in one location.
- Galvanized steel, welded construction.



CAT #	DESCRIPTION	KNOCKOUTS	PACKAGE INFORMATION		
			CUBIC INCHES	CASE QTY	CASE WT
2104-LLE	SINGLE GANG WELDED DEV BOX 2 1/2" DEEP/CABLE CLAMP	ENDS: (4) PRY OUT	12.5	50	25
2104-LLE-2	TWO GANG WELDED DEV BOX 2 1/2" DEEP/CABLE CLAMP	ENDS: (8) PRY OUT	25.0	30	21
2104-LLE-3	THREE GANG WELDED DEV BOX 2 1/2" DEEP/CABLE CLAMP	ENDS: (12) PRY OUT	37.5	20	19
2104-LLE-4	FOUR GANG WELDED DEV BOX 2 1/2" DEEP/CABLE CLAMP	ENDS: (16) PRY OUT	50.0	10	13
2304-LHTQ-1	SINGLE GANG, BUBBLE BOX 2 1/2" DEEP/CABLE CLAMP	ENDS: (4) PRY OUT	14.5	50	24

## 2 1/2" Deep with Wrap-Around Bracket



### Features & Benefits:

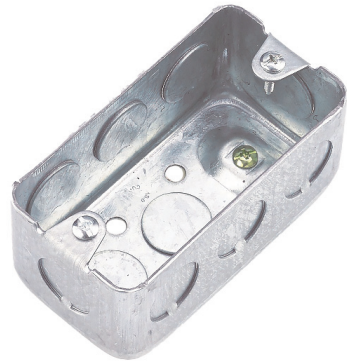
- Welded Boxes are used to install single or multiple devices in one location.
- Wrap-Around Brackets for 2 1/2" and 3 5/8" steel studs
- Galvanized steel, welded construction



CAT #	DESCRIPTION	KNOCKOUTS	PACKAGE INFORMATION		
			CUBIC INCHES	CASE QTY	CASE WT
2104-LSSAX	SINGLE GANG WELDED DEV BOX 2 1/2" DEEP/CABLE CLAMP C/W W-BKT FOR 2 1/2" AND 3 5/8" STEEL STUDS	ENDS: (4) PRY OUT	12.5	50	17

# Utility Boxes

## Drawn Utility Boxes (1 7/8" Deep)



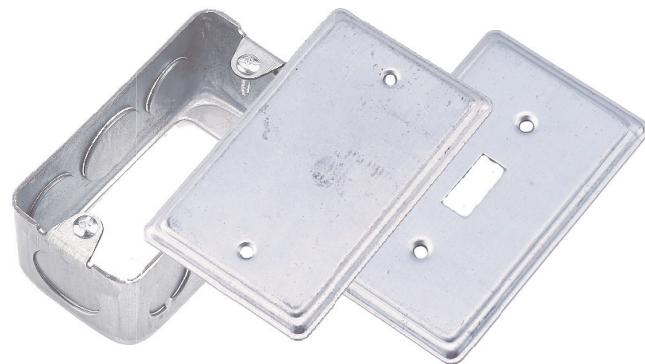
### Features & Benefits:

- Handy boxes are used for convenience outlets, switches and small junction boxes in exposed work applications.
- Raised Ground Screw



CAT #	DESCRIPTION	KNOCKOUTS	PACKAGE INFORMATION		
			CUBIC INCHES	CASE QTY	CASE WT
1110	4 X 2 3/8 X 1 7/8" DEEP UTILITY BOX, 1/2" KO	SIDES: (6) 1/2" ENDS: ((2) 1/2" BOTTOM: (2) 1/2"	16.5	50	20
2020	4 X 2 1/8 X 1 7/8" DEEP UTILITY BOX, 1/2" KO	SIDES: (6) 1/2" ENDS: ((2) 1/2" BOTTOM: (2) 1/2"	14.0	50	20

## 4 X 2" Drawn Handy Box Extension & Covers



### Features & Benefits:

- Captive screws
- Galvanized steel construction



CAT #	DESCRIPTION	KNOCKOUTS	PACKAGE INFORMATION		
			CUBIC INCHES	CASE QTY	CASE WT
1110-R	4 X 2" UTILITY BX EXT 1 1/2" DEEP, 1/2" & 3/4" KO	SIDES: (4) 1/2" & (2) 3/4" ENDS: ((2) 3/4" BOTTOM: OPEN	11.5	50	18
11C1	4" X 2" DUPLEX RECEPTACLE COVER		1.5	200	18
11C4	4" X 2" BLANK COVER		1.5	200	31
11C5	4" X 2" TOGGLE SWITCH COVER		1.5	200	28
11C10	4" X 2" DECORA COVER		1.5	200	25

# Rework Boxes

## 3 X 2" Non-Gangable



### Features & Benefits:

- Non-Gangable, Rework Device Box with bevelled corners for easy mounting.
- For use with nonmetallic sheathed cable only.
- Galvanized steel construction.



CAT #	DESCRIPTION	KNOCKOUTS	PACKAGE INFORMATION		
			CUBIC INCHES	CASE QTY	CASE WT
777LRB	2 1/4" DEEP, REWORK BOX, CW CABLE CLAMPS	ENDS: (4) PRY OUT BOTTOM: (1) 1/2"	11.0	50	24

# Box Accessories

## Snap-In Seals

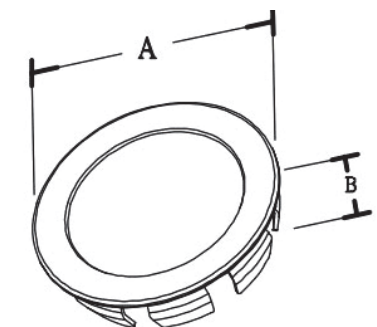


### Features & Benefits:

- Installs into unused box knockout
- Steel/Zinc Plated
- Suitable for airtight and dust tight application.

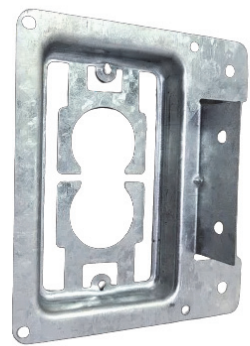
Certifications: UL-2239

CAT#	TRADE SIZE	A Width IN	B LENGTH IN	WT /100pcs LBS	PACKAGE INFORMATION		
					INNER CASE	MASTER CASE	WT LBS
KS-50S	1/2"	1.08	0.29	1.8		100	1.8
KS-75S	3/4"	1.23	0.31	1.9		100	1.9
KS-100S	1"	1.47	0.34	2.0		50	1.0
KS-125S	1 1/4"	1.88	0.37	2.4		50	1.2
KS-150S	1 1/2"	2.22	0.31	2.6		50	1.3
KS-200S	2"	2.67	0.34	2.8		50	1.4



# Box Accessories

## Low Voltage Wall Bracket



### Features & Benefits:

- Used to install low voltage, Class 2 communication outlets during rough-in construction without the use of an electrical box.
- Galvanized steel construction.



CAT #	DESCRIPTION	KNOCKOUTS	PACKAGE INFORMATION		
			CUBIC INCHES	CASE QTY	CASE WT
1321	LOW VOLTAGE WALL BRACKET			100	16

## Protection Plate



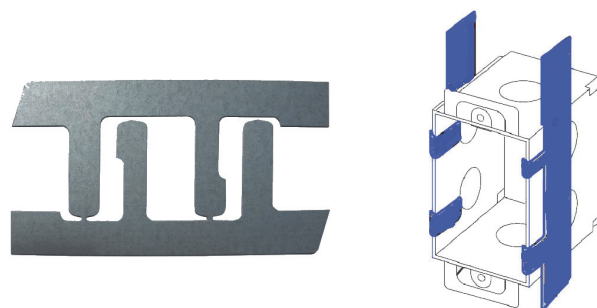
### Features & Benefits:

- Used to protect cables and wires from damage in wood stud installations.
- Galvanized steel construction.



CAT #	DESCRIPTION	KNOCKOUTS	PACKAGE INFORMATION		
			CUBIC INCHES	CASE QTY	CASE WT
66	PROTECTION PLATE 1 3/8 X 3"			400	23
66SS	PROTECTION PLATE 4 3/8 X 1 7/8"			400	28

## Device Box Support Brackets



### Features & Benefits:

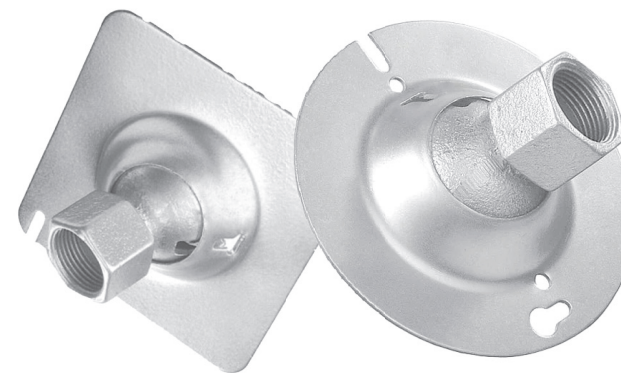
- Used to secure a device box in a hollow wall cavity of plaster or drywall.
- Galvanized steel construction.



CAT #	DESCRIPTION	PACKAGE INFORMATION		
		CUBIC INCHES	CASE QTY	CASE WT
820D	F-BRACKET, BOX SUPPORT		1000	45

# Box Accessories

## 4" Swivel Type Covers



### Features & Benefits:

- 20° swing from vertical
- SCR Fits standard Octagon boxes.
- Used to hang commercial lighting fixtures.
- SCS fits 4" square boxes.
- Used where pipe stems or fixtures may be subject to motion or vibration.
- Galvanized Steel Construction.



CAT #	DESCRIPTION	KNOCKOUTS	PACKAGE INFORMATION		
			CUBIC INCHES	CASE QTY	CASE WT
SCR-50/75	4" ROUND OCTAGON BOX SWIVEL COVER			25	7.5
SCS-50/75	4" SQUARE OCTAGON BOX SWIVEL COVER			25	8

## 4" Mounting Plate with Lip



### Features & Benefits:

- Used in new construction to mount 4" LED recessed lights.
- Raised lip ensures easy drywall fitting.
- Galvanized steel construction.



CAT #	DESCRIPTION	PACKAGE INFORMATION		
		INNER/CTN QTY	CASE QTY	CASE WT
P-4000	4.25" NEW CONSTRUCTION PLATE FOR 4" RECESSED LIGHTING		25	16

## Staples



CAT #	DESCRIPTION	PACKAGE INFORMATION		
		INNER/CTN QTY	CASE QTY	CASE WT
S-1	CABLE STAPLES - 14/2 * 12/2	1500	6000	52
S-2	CABLE STAPLES - 14/2 - 12/2, 14/3 - 12/3	500	2000	23
S-3	CABLE STAPLES - NM: 10/2 - 8/2; 14/3 - 10/3		1600	7
S-4	CABLE STAPLES - NM: 14/2 - 8/2, 14/3 - 8/3, 14/4 - 10/4		800	8

# Square Boxes & Covers

## 4" Square Boxes



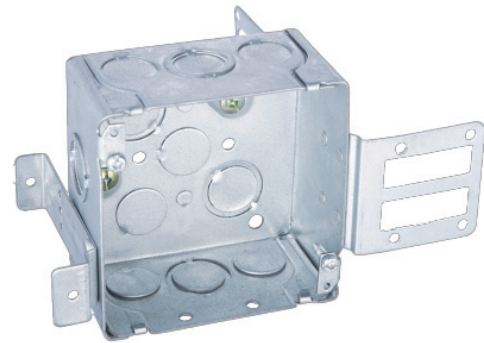
### Features & Benefits:

- 4" square boxes are used where multiple conductor runs are split into two or more direction to bring power to a number of devices.
- Combination knockouts allow for greater wiring flexibility.
- Galvanized steel construction



CAT #	DESCRIPTION	KNOCKOUTS	PACKAGE INFORMATION		
			CUBIC INCHES	CASE QTY	CASE WT
52151-K	4" SQ SHALLOW BOX, 1 1/2" DEEP, 1/2" & 3/4" KO	SIDES: (10) 1/2" & (6) 3/4" BOTTOM: (4) 1/2" & (2) 3/4"	21	50	28
52171-K	4" SQ DEEP BOX, 2 1/8" DEEP, 1/2" & 3/4" KO	SIDES: (10) 1/2" & (6) 3/4" BOTTOM: (4) 1/2" & (2) 3/4"	30	50	36

## 4" Square Boxes with Wrap-Around Brackets



### Features & Benefits:

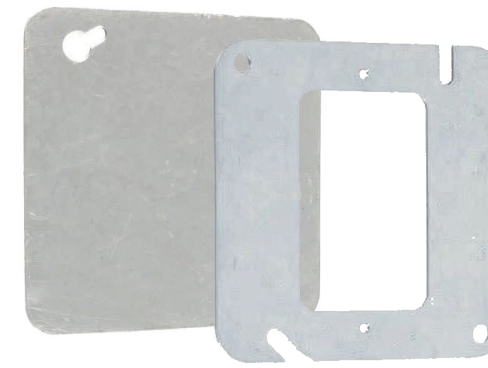
- 4" square boxes are used where multiple conductor runs are split into two or more direction to bring power to a number of devices.
- Combination knockouts allow for greater wiring flexibility.
- Galvanized steel construction



CAT #	DESCRIPTION	KNOCKOUTS	PACKAGE INFORMATION		
			CUBIC INCHES	CASE QTY	CASE WT
52151-KSSX	4" SQ SHALLOW BOX, 1 1/2" DEEP, 1/2" & 3/4" KO FOR 2 1/2" AND 3 5/8" STEEL STUDS	SIDES: (7) 1/2" & (3) 3/4" BOTTOM: (4) 1/2" & (2) 3/4"	21	24	18
52171-KSSX	4" SQ DEEP BOX, 2 1/8" DEEP, 1/2" & 3/4" KO FOR 2 1/2" AND 3 5/8" STEEL STUDS	SIDES: (10) 1/2" & (6) 3/4" BOTTOM: (4) 1/2" & (2) 3/4"	30	24	21

# Square Boxes & Covers

## 4" Square Flat Box Covers



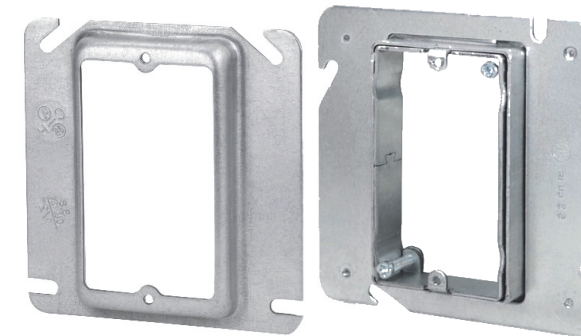
### Features & Benefits:

- Used to enclose 4" square box wiring.
- Keyhole mounting holes for fast, easy installation.
- Galvanized steel construction.



CAT #	DESCRIPTION	KNOCKOUTS	PACKAGE INFORMATION			
			CUBIC INCHES	CTN QTY	CASE QTY	CASE WT
52C0	4" SQ BOX COVER, FOR SINGLE DECORA DEVICE			50	200	28
52C00	4" SQ BOX COVER, FOR TWO DECORA DEVICES			50	200	15
52C1	4" SQ BOX COVER, BLANK			50	200	45
52C6	4" SQ BOX COVER, 1/2" KO			50	200	43

## 4" Square Box Device Rings



### Features & Benefits:

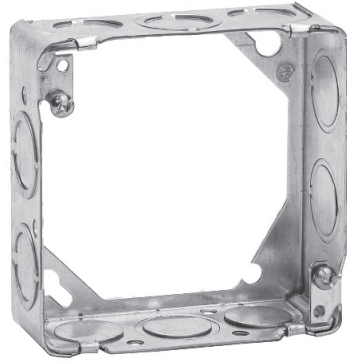
- Used to enclose 4" square box wiring & hold devices.
- Keyhole mounting holes for fast, easy installation.
- Galvanized steel construction.



CAT #	DESCRIPTION	KNOCKOUTS	PACKAGE INFORMATION			
			CUBIC INCHES	CTN QTY	CASE QTY	CASE WT
52C13	4" SQ BOX MUD RING, FOR SINGLE DECOR DEVICE. RAISED 1/2"		3.6	10	200	31
52C14	4" SQ BOX MUD RING, FOR SINGLE DECOR DEVICE. RAISED 3/4"		5.5		50	15
52C17	4" SQ BOX MUD RING, FOR TWO DECOR DEVICE. RAISED 1/2"		5.4	10	200	24
52C18	4" SQ BOX MUD RING, FOR TWO DECOR DEVICE. RAISED 3/4"		8.5		50	14
52C49-1/2	4" SQ BOX TILE RING, FOR SINGLE DECOR DEVICE. RAISED 1/2"		3.4		50	13
52C49-1	4" SQ BOX TILE RING, FOR SINGLE DECOR DEVICE. RAISED 1"		6.8		20	8
52CADJ	4" SQ BOX MUD RING, SINGLE DECOR DEVICE. ADJUSTABLE 5/8" TO 1 1/4"				50	21
52CADJ2	4" SQ BOX MUD RING, TWO DECOR DEVICE. ADJUSTABLE 5/8" TO 1 1/4"				50	5
8367	4" SQ BOX COVER, TWO TOGGLE SWITCH, RAISED 3/8"		4.6		200	39
8368	4" SQ BOX COVER, TWO DECORA DEVICES, RAISED 3/8"		4.6		200	31
8371	4" SQ BOX COVER, TWO DUPLEX RECEPTACLES, RAISED 3/8"		4.6		200	38

# Square Boxes & Covers

## 4" Square Box Extensions



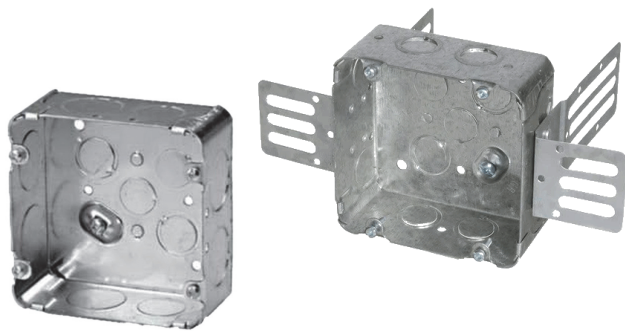
### Features & Benefits:

- Used to extend the depth of 4" square boxes.
- Keyhole mounting holes for fast, easy installation.
- Galvanized steel construction.



CAT #	DESCRIPTION	KNOCKOUTS	PACKAGE INFORMATION		
			CUBIC INCHES	CASE QTY	CASE WT
53151-K	4" SQ BOX EXTENSION RING, 1 1/2" DEEP	SIDES: (10) 1/2" & (6) 3/4"	21.0	50	19
53171-K	4" SQ BOX EXTENSION RING, 2 1/8" DEEP	SIDES: (12) CON 1/2" & 3/4"	30.0	50	28

## 4 11/16" Square Boxes



### Features & Benefits:

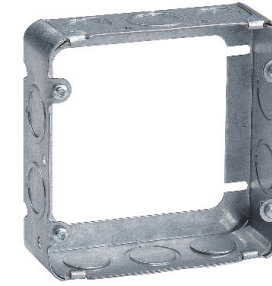
- 4 11/16" square boxes are used where multiple conductor runs are split into two or more direction to bring power to a number of devices.
- Combination knockouts allow for greater wiring flexibility.
- Galvanized steel construction



CAT #	DESCRIPTION	KNOCKOUTS	PACKAGE INFORMATION		
			CUBIC INCHES	CASE QTY	CASE WT
72171-1	4 11/16" SQ BOX, 2 1/8" DEEP, 1" KO	SIDES: (8) 1" BOTTOM: (2) 1/2" & (2) 3/4"	42	40	33
72171-K	4 11/16" SQ BOX, 2 1/8" DEEP, 1/2" & 3/4" KO	SIDES: (6) 3/4" BOTTOM: (2) 3/4" & (2) 3/4"	42	40	33
72171-KSSX	4 11/16" SQ BOX, 2 1/8" DEEP, CON 1/2" & 3/4" KO W-BRACKET FOR 2 1/2" & 3 5/8" STEEL STUDS	SIDES: (4) CON 1/2" & 3/4" BOTTOM: (2) 1/2" & (2) CON 1/2" & 3/4"	42	21	23

# Square Boxes & Covers

## 4 11/16" Square Extensions



### Features & Benefits:

- 4 11/16" square box extensions are used to extend the depth of 4 11/16" square boxes.
- Combination knockouts allow for greater wiring flexibility.
- Galvanized steel construction



CAT #	DESCRIPTION	KNOCKOUTS	PACKAGE INFORMATION		
			CUBIC INCHES	CTN QTY	CASE QTY
73151-K	1 1/2" SHALLOW BOX EXTENSION, 1/2" & 3/4" KO	SIDES: (4) 1/2" & (6) CON 1/2" & 3/4" BOTTOM: (4) 1/2" & (2) 3/4"	21	40	26
73171-K	2 1/8" DEEP BOX EXTENSION, 1/2" & 3/4" KO	SIDES: (10) 1/2" & (6) 3/4" BOTTOM: (4) 1/2" & (2) 3/4"	42	40	26

## 4 11/16" Square Covers



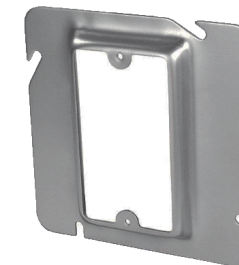
### Features & Benefits:

- 4 11/16" square box covers are used to enclose 4 11/16" square boxes.
- Combination knockouts allow for greater wiring flexibility.
- Galvanized steel construction



CAT #	DESCRIPTION	KNOCKOUTS	PACKAGE INFORMATION			
			CUBIC INCHES	CTN QTY	CASE QTY	CASE WT
72C1	4 11/16" BOX COVER, BLANK			50	200	59
72C6	4 11/16" BOX COVER, 1/2" KO	TOP: (1) 1/2"			200	59

## 4 11/16" Square Device Rings



### Features & Benefits:

- 4 11/16" square device rings are used in mounting devices to a 4 11/16" box.
- Combination knockouts allow for greater wiring flexibility.
- Galvanized steel construction



CAT #	DESCRIPTION	KNOCKOUTS	PACKAGE INFORMATION			
			CUBIC INCHES	CTN QTY	CASE QTY	CASE WT
72C13	4 11/16" SINGLE GANG DEVICE RING, RAISED 1/2"		3.5		100	20
72C14-5/8	4 11/16" TWO GANG DEVICE RING, RAISED 5/8"		4.5		100	20
72C17	4 11/16" TWO GANG DEVICE RING, RAISED 1/2"		6.3		100	20

# Octagon Boxes & Covers

## 4" Octagon Boxes



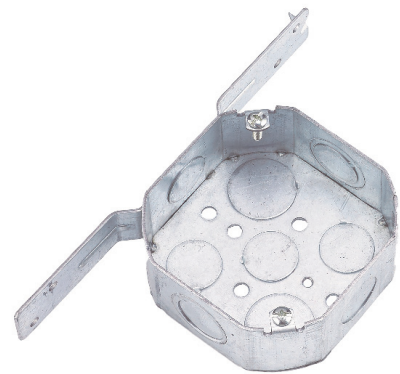
### Features & Benefits:

- Octagon boxes are used to install ceiling and wall lighting fixtures, fans, or convenience outlets and devices.
- Raised Ground Screw
- Galvanized steel construction.



CAT #	DESCRIPTION	KNOCKOUTS	PACKAGE INFORMATION		
			CUBIC INCHES	CASE QTY	CASE WT
54151-K	1 1/2" DEEP, OCTAGON BOX, 1/2" KO	SIDES: (2) 1/2" (2) CON 1/2" & 3/4" BOTTOM: (2) CON 1/2" & 3/4"	15.0	50	18
54151-L	1 1/2" DEEP, OCTAGON BOX/NM CABLE CLAMP, 1/2" KO	SIDES: (2) 1/2" (4) PRY OUT BOTTOM: (1) 1/2"	15.0	50	22
54151-LA	1 1/2" DEEP, OCTAGON BOX/NM-MC CABLE CLAMP, 1/2" KO	SIDES: (2) 1/2" (4) PRY OUT BOTTOM: (1) 1/2"	15.0	50	23
54171-K	2 1/8" DEEP, OCTAGON BOX, 1/2 & 3/4" KO	SIDES: (2) 1/2" (2) CON 1/2" & 3/4" BOTTOM: (2) 1/2" (2) CON 1/2" & 3/4"	21.0	50	23
54171-L	2 1/8" DEEP, OCTAGON BOX, NM CABLE CLAMP, 1/2" KO	SIDES: (2) 1/2" (4) PRY OUT BOTTOM: (1) 1/2" (4) PRY OUT	21.0	50	28

## 4" Octagon Boxes with Brackets & Supports



### Features & Benefits:

- Octagon boxes are used to install ceiling and wall lighting fixtures, fans, or convenience outlets and devices.
- Raised Ground Screw
- Galvanized steel construction.



Certifications: UL-514A

CAT #	DESCRIPTION	KNOCKOUTS	PACKAGE INFORMATION		
			CUBIC INCHES	CASE QTY	CASE WT
54151-KSSX	1 1/2" DEEP, OCTAGON BOX, 1/2" & 3/4" KO WRAP-AROUND BRACKET 2 1/2" AND 3 5/8" STEEL STUDS	SIDES: (2) CON 1/2" & 3/4" BOTTOM: (2) 1/2"	15.0	32	17
54151-LB	1 1/2" DEEP, OCTAGON BOX/NM CABLE CLAMP, 1/2" KO WITH SIDE MOUNT BRACKET	SIDES: (1) 1/2" (4) PRY OUT BOTTOM: (1) 1/2"	15.0	50	26
54151-LD	1 1/2" DEEP, OCTAGON REWORK BOX, NM CABLE CLAMP C/W SWING ARM BRACKETS	SIDES: (4) PRY OUT BOTTOM: (1) 1/2" & (4) PRY OUT	15.0	50	28
54151-LSSAX	1 1/2" DEEP, OCTAGON BOX, NM MC CLAMP WRAP-AROUND BRACKET 2 1/2" AND 3 5/8" STEEL STUDS	SIDES: (4) PRY OUT BOTTOM: (1) 1/2"	15.0	32	20
54171-KSSX	4" OCT BX 1 1/2" DEEP, NM CLAMP, WRAP-AROUND BRACKET 2 1/2" AND 3 5/8" STEEL STUDS	SIDES: (4) 1/2" BOTTOM: (4) 1/2"	15.0	24	18
54171-KSSX-1	2 1/8" DEEP, OCTAGON BOX, DOUBLE DRYWALL, 1/2" & 3/4" KO WRAP-AROUND BRACKET 2 1/2" AND 3 5/8" STEEL STUDS	SIDES: (2) CON 1/2" & 3/4" BOTTOM: (2) 1/2" (2) CON 1/2" & 3/4"	21.0	24	16

# Octagon Boxes & Covers

## 4" Octagon Box Extensions & Covers



### Features & Benefits:

- Octagon boxes are used to install ceiling and wall lighting fixtures, fans, or convenience outlets and devices.
- Raised Ground Screw
- Galvanized steel construction.



CAT #	DESCRIPTION	KNOCKOUTS	PACKAGE INFORMATION		
			CUBIC INCHES	CTN QTY	CASE CASE WT
55151-K	1 1/2" DEEP, OCTAGON BOX EXTENSION, 1/2" & 3/4" KO	SIDES: (2) 1/2" (2) CON 1/2" & 3/4"	15.0	50	14
55171-K	2 1/8" DEEP, OCTAGON BOX EXTENSION, 1/2" & 3/4" KO	SIDES: (2) 1/2" (2) CON 1/2" & 3/4" BOTTOM: (1) 1/2"	22.0	50	17
54C1	4" ROUND OCTAGON BOX COVER			50	200 34
54C6	4" ROUND OCTAGON BOX COVER, 1/2" KO			50	200 43
54C65	4" ROUND OCTAGON COVER, FOR DUPLEX RECEPTACLE			50	200 42

## Round Pancake Boxes Extensions & Covers



### Features & Benefits:

- Octagon boxes are used to install ceiling and wall lighting fixtures, fans, or convenience outlets and devices.
- Raised Ground Screw
- Galvanized steel construction.



CAT #	DESCRIPTION	KNOCKOUTS	PACKAGE INFORMATION		
			CUBIC INCHES	CTN QTY	CASE CASE WT
56111	4" ROUND PANCAKE BX ,5/8" DEEP, 1/2" KO	BOTTOM: (4) 1/2"	3.9	50	13
OBEX	1/2" DEEP, OCTAGON BOX EXTENSION		5.0	10	50 8
54C1	4" ROUND BOX COVER			50	200 34

# Multi-Gang Masonry Boxes

## 2 1/2" Deep Masonry Boxes



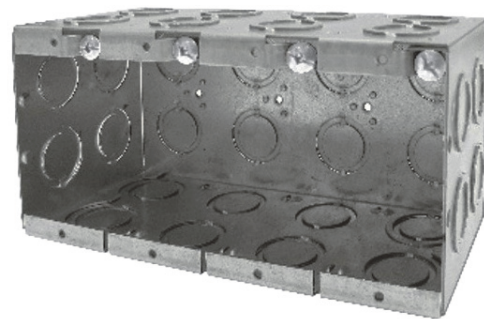
### Features & Benefits:

- Masonry boxes are used as a junction box or to secure a wiring device in masonry block construction.
- 2 1/2" deep boxes are used in 4" block wall construction.
- Concentric combination knockouts.
- 6/32 Device Mounting Tab holes
- Galvanized steel construction.



CAT #	DESCRIPTION	KNOCKOUTS	PACKAGE INFORMATION		
			CUBIC INCHES	CASE QTY	CASE WT
MBS-1K	1 GANG MASONRY BOX, 2 1/2" DEEP, 1/2" & 3/4" KO	SIDES: (4) CON 1/2" & 3/4" TOP: (1) 1/2" & 3/4" BOTTOM: (1) 1/2", 3/4" & 1" BACK: (2) 1/2" & 3/4"	14	20	14

## 3 1/2" Deep Masonry Boxes



### Features & Benefits:

- Masonry boxes are used as a junction box or to secure a wiring device in masonry block construction.
- 3 1/2" deep boxes are used in 6 & 8" block wall construction.
- Concentric combination knockouts.
- 6/32 Device Mounting Tab holes
- Galvanized steel construction.



CAT #	DESCRIPTION	KNOCKOUTS	PACKAGE INFORMATION		
			CUBIC INCHES	CASE QTY	CASE WT
MBD-1K	1 GANG MASONRY BOX, 3 1/2" DEEP, 1/2", 3/4" & 1" KO	SIDES: (8) CON 1/2" & 3/4" TOP: (2) CON 1/2" 3/4" BOTTOM: (1) CON 1/2" & 3/4" & (1) CON 1/2", 3/4" & 1"	21	20	15
MBD-2K	2 GANG MASONRY BOX, 3 1/2" DEEP, 1/2", 3/4" & 1" KO	SIDES: (8) 1/2" & 3/4" CONCENTRIC TOP: (4) CON 1/2" & 3/4" BOTTOM: (2) CON 1/2" & 3/4" (2) CON 1/2", 3/4" & 1" BACK: (4) CON 1/2" & 3/4"	42	10	12
MBD-3K	3 GANG MASONRY BOX, 3 1/2" DEEP, 1/2", 3/4" & 1" KO	SIDES: (8) CON 1/2" & 3/4" TOP: (6) CON 1/2" & 3/4" (3) CON 1/2", 3/4" & 1" BOTTOM: (3) CON 1/2" & 3/4" (3) CON 1", 3/4" & 1" BACK: (3) CON 1/2" & 3/4"	63	10	10
MBD-4K	4 GANG MASONRY BOX, 3 1/2" DEEP, 1/2", 3/4" & 1" KO	SIDES: (8) CON 1/2" & 3/4" TOP: (8) CON 1/2" & 3/4" BOTTOM: (4) CON 1/2" & 3/4" (4) CON 1/2", 3/4" & 1" BACK: (8) CON 1/2" & 3/4"	84	10	13

# Non-Metallic Boxes

## Gang Boxes, Octagon Boxes, & Dryer Boxes



### Features & Benefits:

- Non-Metallic boxes can be used as a junction box or to secure single or multiple wiring devices.
- Self-Clamping knockouts, ENT KO's on Bottom.
- Combination Robertson Screws
- Lightweight, Durable and Impact Resistant
- High Temperature Thermoplastic Construction.



Intertek  
5010519  
2-HR-W

CAT #	DESCRIPTION	KNOCKOUTS	PACKAGE INFORMATION		
			CUBIC INCHES	CASE QTY	CASE WT
<b>SINGLE GANG BOX</b>					
PB01R	1 GANG NON-METALLIC BOX, TWO GROUND SCREWS FOR NON-METALLIC CABLE 16-10 AWG, <b>NO GASKET</b>	SIDES/BOTTOM: (4) SELF CLAMPING	18	50	9
PB01VB	1 GANG NON-METALLIC BOX, TWO GROUND SCREWS FOR NON-METALLIC CABLE 16-10 AWG, <b>WITH GASKET</b>	SIDES/BOTTOM: (4) SELF CLAMPING	18	50	11
<b>TWO GANG BOX</b>					
PB02R	2 GANG NON-METALLIC BOX, TWO GROUND SCREWS FOR NON-METALLIC CABLE 16-10 AWG, <b>NO GASKET</b>	SIDES/BOTTOM: (8) SELF CLAMPING	37	50	16
PB02VB	2 GANG NON-METALLIC BOX, TWO GROUND SCREWS FOR NON-METALLIC CABLE 16-10 AWG, <b>WITH GASKET</b>	SIDES/BOTTOM: (8) SELF CLAMPING	37	50	21
<b>THREE GANG BOX</b>					
PB03R	3 GANG NON-METALLIC BOX, THREE GROUND SCREWS FOR NON-METALLIC CABLE 16-10 AWG, <b>NO GASKET</b>	SIDES/BOTTOM: (12) SELF CLAMPING	51	30	15
PB03VB	3 GANG NON-METALLIC BOX, THREE GROUND SCREWS FOR NON-METALLIC CABLE 16-10 AWG, <b>WITH GASKET</b>	SIDES/BOTTOM: (12) SELF CLAMPING	51	30	16
<b>FOUR GANG BOX</b>					
PB04R	4 GANG NON-METALLIC BOX, FOUR GROUND SCREWS FOR NON-METALLIC CABLE 16-10 AWG, <b>NO GASKET</b>	SIDES/BOTTOM: (16) SELF CLAMPING	67	30	7
PB04VB	4 GANG NON-METALLIC BOX, FOUR GROUND SCREWS FOR NON-METALLIC CABLE 16-10 AWG, <b>WITH GASKET</b>	SIDES/BOTTOM: (16) SELF CLAMPING	67	30	11
<b>OCTAGON BOX</b>					
PB05R	NON-METALLIC OCTAGON BOX, TWO GROUND SCREWS FOR NON-METALLIC CABLE 16-10 AWG, <b>NO GASKET</b>	SIDES/BOTTOM: (4) SELF CLAMPING	26	50	19
PB03VB	NON-METALLIC OCTAGON BOX, TWO GROUND SCREWS FOR NON-METALLIC CABLE 16-10 AWG, <b>WITH GASKET</b>	SIDES/BOTTOM: (4) SELF CLAMPING	26	50	23
<b>DRYER BOX</b>					
PB03VB	NON-METALLIC DRYER BOX, ONE GROUND SCREWS FOR NON-METALLIC CABLE 16-10 AWG, <b>WITH GASKET</b>	SIDES/BOTTOM: (4) SELF CLAMPING	61	30	9



# FMC Fittings

## Combination Coupling - EMT/FMC



### Features & Benefits:

- Used to connect Flexible Metal Conduit, AC or MC to EMT.
- Set screw type connection to EMT conduit and clamp type connection to FMC.
- For dry use only.
- Zinc Die Cast construction.



Certifications: UL-514B

CAT #	TRADE SIZE	DESCRIPTION	PACKAGE INFORMATION		
			INNER CARTON	MASTER CASE	CASE LBS
SKFC-38	1/2" - 3/8"	1/2" EMT TO 3/8" FMC	50	500	50
SKFC-50	1/2" - 1/2"	1/2" EMT TO 1/2" FMC	25	250	25
SKFC-75	3/4" - 3/4"	3/4" EMT TO 3/4" FMC	10	100	15
SKFC-100	1" - 1"	1" EMT TO 1" FMC		50	13

# FMC Fittings

## Squeeze Type 90° Connector



### Features & Benefits:

- 90° Squeeze type connectors are used to connect Flexible Metal Conduit to a box or enclosure.
- Zinc Die Cast construction.



Certifications: UL-514B

CAT #	TRADE SIZE	DESCRIPTION	PACKAGE INFORMATION		
			INNER CARTON	MASTER CASE	CASE LBS
SQ90-38	3/8"	90° SQUEEZE CONNECTOR	50	500	45
SQ90-50	1/2"	90° SQUEEZE CONNECTOR	25	250	35
SQ90-75	3/4"	90° SQUEEZE CONNECTOR	10	100	20
SQ90-100	1"	90° SQUEEZE CONNECTOR	5	50	19
SQ90-125	1 1/4"	90° SQUEEZE CONNECTOR	10	40	8
SQ90-150	1 1/2"	90° SQUEEZE CONNECTOR		5	5
SQ90-200	2"	90° SQUEEZE CONNECTOR		5	6
SQ90-250	2 1/2"	90° SQUEEZE CONNECTOR		5	18
SQ90-300	3"	90° SQUEEZE CONNECTOR		2	9
SQ90-350	3 1/2"	90° SQUEEZE CONNECTOR		1	9
SQ90-400	4"	90° SQUEEZE CONNECTOR		1	10

## Squeeze Type Straight Connector



### Features & Benefits:

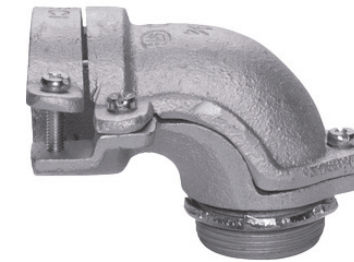
- Squeeze type connector used to connect Flexible Metal Conduit to a box or enclosure.
- Zinc Die Cast construction.



Certifications: UL-514B

CAT #	TRADE SIZE	DESCRIPTION	PACKAGE INFORMATION		
			INNER CARTON	MASTER CASE	CASE LBS
SQ-50	1/2"	SQUEEZE TYPE CONNECTOR	50	200	28
SQ-75	3/4"	SQUEEZE TYPE CONNECTOR	50	100	13
SQ-100	1"	SQUEEZE TYPE CONNECTOR	10	100	15
SQ-125	1 1/4"	SQUEEZE TYPE CONNECTOR	10	100	29
SQ-150	1 1/2"	SQUEEZE TYPE CONNECTOR	5	50	20
SQ-200	2"	SQUEEZE TYPE CONNECTOR	10	40	21
SQ-250	2 1/2"	SQUEEZE TYPE CONNECTOR		10	9
SQ-300	3"	SQUEEZE TYPE CONNECTOR		10	17
SQ-350	3 1/2"	SQUEEZE TYPE CONNECTOR		1	2
SQ-400	4"	SQUEEZE TYPE CONNECTOR		1	3

## Malleable Iron Squeeze Type 90° Connector



### Features & Benefits:

- 90° Squeeze type connectors are used to connect Flexible Metal Conduit to a box or enclosure.
- Zinc Plated Malleable Iron construction.



Certifications: UL-514B

CAT #	TRADE SIZE	DESCRIPTION	PACKAGE INFORMATION		
			INNER CARTON	MASTER CASE	CASE LBS
SQ90-250M	2 1/2"	90° SQUEEZE CONNECTOR		5	18
SQ90-300M	3"	90° SQUEEZE CONNECTOR		5	20
SQ90-400M	4"	90° SQUEEZE CONNECTOR		1	11

# AC & MC Single Cable Connectors

## BL-16 AC/MC Single Screw Connectors



### Features & Benefits:

- Single Screw Saddle type Low-Profile connectors are used to connect armored cable or metal clad cable to a box or enclosure.
- For use in dry locations.
- Zinc Die Cast construction.



Certifications: UL-514B

CAT #	TRADE SIZE	DESCRIPTION	CABLE SIZES	PACKAGE INFO	
				MASTER CASE	LBS
BL-16	3/8"	ARMORED CABLE, STEEL	14/2 - 10/3	500	35
		ARMORED CABLE, ALUMINUM	14/2 - 10/3		
		HCF ARMORED CABLE STEEL	14/2 - 10/3		
		HCF ARMORED CABLE ALUMINUM	14/2 - 10/3		
		METAL CLAD CABLE, MCI, STEEL	14/2 - 10/3		
		METAL CLAD CABLE, MCI, ALUMINUM	14/2 - 10/4		
		METAL CLAD CABLE, MCI-A, ALUMINUM	14/2 - 10/4		
		HCF MCI-A	14/2 - 10/4		
		FMC/RWFMC/XRWFMC, STEEL	3/8"		
		FMC/RWFMC/XRWFMC, ALUMINUM	3/8"		
		NM CABLE	14/2 - 8/3		
		FLEXIBLE CORD, SJO	18/3 - 12/3		

# AC & MC Single Cable Connectors

## BL-18 AC/MC Single Screw Connectors



### Features & Benefits:

- Single Screw Saddle type Low-Profile connectors are used to connect armored cable or metal clad cable to a box or enclosure.
- For use in dry locations.
- Zinc Die Cast construction.



Certifications: UL-514B

CAT #	TRADE SIZE	DESCRIPTION	CABLE SIZES	PACKAGE INFO	
				MASTER CASE	LBS
BL-18	3/4"	ARMORED CABLE, STEEL	6/3 - 6/4	100	20
		ARMORED CABLE, ALUMINUM	6/3 - 6/4		
		HCF ARMORED CABLE STEEL	6/3 - 6/4		
		HCF ARMORED CABLE ALUMINUM	6/3 - 6/4		
		METAL CLAD CABLE, MCI, STEEL	6/3 - 4/3		
		METAL CLAD CABLE, MCI, ALUMINUM	6/3 - 4/3		
		METAL CLAD CABLE, MCI-A, ALUMINUM	6/4		
		HCF MCI-A	6/4		
		FMC/RWFMC/XRWFMC, STEEL	3/4"		
		FMC/RWFMC/XRWFMC, ALUMINUM	3/4"		

## BL-17 AC/MC Single Screw Connectors



### Features & Benefits:

- Single Screw Saddle type Low-Profile connectors are used to connect armored cable or metal clad cable to a box or enclosure.
- For use in dry locations.
- Zinc Die Cast construction.



Certifications: UL-514B

CAT #	TRADE SIZE	DESCRIPTION	CABLE SIZES	PACKAGE INFO	
				MASTER CASE	LBS
BL-17	1/2"	ARMORED CABLE, STEEL	8/3 - 6/3	200	25
		ARMORED CABLE, ALUMINUM	8/3 - 6/3		
		HCF ARMORED CABLE STEEL	8/3 - 6/3		
		HCF ARMORED CABLE ALUMINUM	8/3 - 6/3		
		METAL CLAD CABLE, MCI, STEEL	8/3 - 6/3		
		METAL CLAD CABLE, MCI, ALUMINUM	8/3 - 6/3		
		METAL CLAD CABLE, MCI-A, ALUMINUM	8/3 - 6/3		
		HCF MCI-A	8/3 - 6/3		
		FMC/RWFMC/XRWFMC, STEEL	1/2"		
		FMC/RWFMC/XRWFMC, ALUMINUM	1/2"		
		NM CABLE	8/3 - 6/3		

## BL-19 AC/MC Single Screw Connectors



### Features & Benefits:

- Single Screw Saddle type Low-Profile connectors are used to connect armored cable or metal clad cable to a box or enclosure.
- For use in dry locations.
- Zinc Die Cast construction.



Certifications: UL-514B

CAT #	TRADE SIZE	DESCRIPTION	CABLE SIZES	PACKAGE INFO	
				MASTER CASE	LBS
BL-19	1"	ARMORED CABLE, STEEL	2/4	100	30
		ARMORED CABLE, ALUMINUM	2/4		
		HCF ARMORED CABLE STEEL	2/4		
		HCF ARMORED CABLE ALUMINUM	2/4		
		METAL CLAD CABLE, MCI, STEEL	1/3 - 1/0-3		
		METAL CLAD CABLE, MCI, ALUMINUM	1/3 - 1/0-3		
		METAL CLAD CABLE, MCI-A, ALUMINUM	6/4		
		HCF MCI-A	6/4		
		FMC/RWFMC/XRWFMC, STEEL	1"		
		FMC/RWFMC/XRWFMC, ALUMINUM	1"		

# AC & MC Single Cable Connectors

## Saddle Connectors



### Features & Benefits:

- Single Screw Saddle type connector used to connect armored cable or metal clad cable to a box or enclosure.
- For use in dry locations.
- Zinc Die Cast construction.



Certifications: UL-514B

CAT #	TRADE SIZE	DESCRIPTION	CABLE SIZES	PACKAGE INFO	
				MASTER CASE	CASE LBS
MC-SAD-38S	3/8"	ARMORED CABLE, STEEL	14/2 - 8/2	500	33
		ARMORED CABLE, ALUMINUM	14/2 - 8/2		
		HCF ARMORED CABLE, STEEL	14/2 - 8/2		
		HCF ARMORED CABLE, ALUMINUM	14/2 - 8/2		
		METAL CLAD CABLE, MCI, STEEL	14/2 - 10/4		
		METAL CLAD CABLE, MCI, ALUMINUM	14/2 - 10/4		
		METAL CLAD CABLE, MCI-A, ALUMINUM	14/2 - 10/4		
		HCF, MCI-A	14/2 - 10/4		
		FMC / RWFMC / XRWFMC, STEEL	3/8"		
		FMC / RWFMC / XRWFMC, ALUMINUM	3/8"		
		NM CABLE	14/2 - 12/3		
		MC - PCS	12/2 - 12/3		

# BX Cable Straps

## BX One Hole Strap



### Features & Benefits:

- Used to secure AC or MC cable to wood, masonry or similar surfaces.
- Inverted rib provides extra strength
- Zinc Plated Steel construction

Certifications: UL-514B

CAT #	DESCRIPTION		PACKAGE INFORMATION		
			INNER CARTON	MASTER CASE	CASE LBS
OHS-1S	ARMORED CABLE, STEEL	14/2 - 10/3	1000	9	
	ARMORED CABLE, ALUMINUM	14/2 - 10/3			
	HCF ARMORED CABLE, STEEL	14/2 - 10/3			
	HCF ARMORED CABLE, ALUMINUM	14/2 - 10/3			
	METAL CLAD CABLE, MCI, STEEL	14/2 - 10/3			
	METAL CLAD CABLE, MCI, ALUMINUM	14/2 - 10/3			
	METAL CLAD CABLE, MCI-A, ALUMINUM	14/2 - 10/4			
	HCF, MCI-A	14/2 - 10/4			
	FMC / RWFMC / XRWFMC, STEEL	3/8"			
	FMC / RWFMC / XRWFMC, ALUMINUM	3/8"			
	NM CABLE	14/2 - 8/3			
	SJO FLEX CORD	18/3 - 12/3			



# Duplex Cable Connectors

## BX Connectors



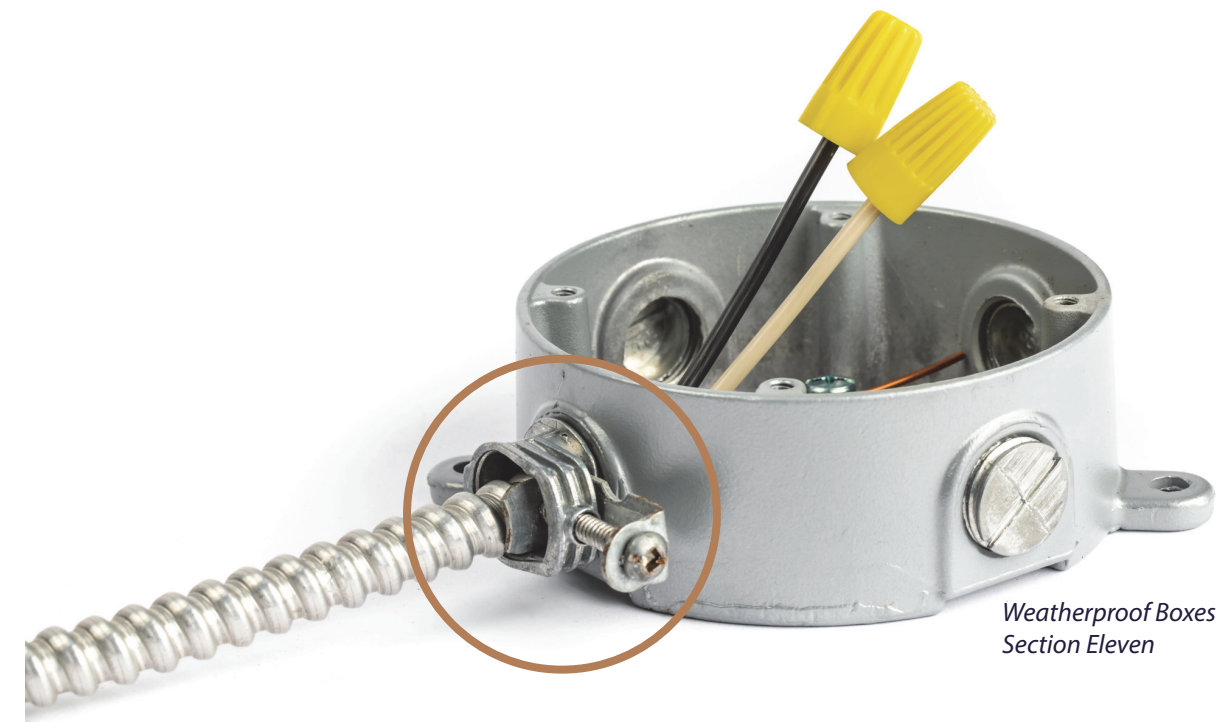
### Features & Benefits:

- Duplex connectors are used to connect armored or metal clad cable to a box or enclosure.
- Zinc Die Cast construction.



Certifications: UL-514B

CAT #	TRADE SIZE	DESCRIPTION	CABLE SIZES	PACKAGE INFO	
				MASTER CASE	CASE LBS
MC-DX-38	3/8"	ARMORED CABLE, STEEL	14/2 - 10/3	250	24
		ARMORED CABLE, ALUMINUM	14/2 - 10/3		
		METAL CLAD CABLE, STEEL	10/3		
		METAL CLAD CABLE, ALUMINUM	10/3		
		METAL CLAD CABLE, MCI-A, ALUMINUM	14/2 - 10/4		
		FMC / RWFMC, STEEL	3/8"		
		FMC / RWFMC, ALUMINUM	3/8"		
		NM CABLE	14/2 - 12/3		



Weatherproof Boxes  
Section Eleven

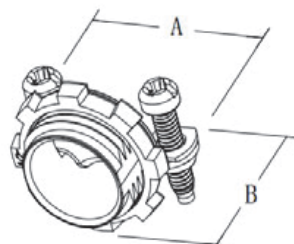
# NM Cable Fittings

## Two-Screw Strap Type NM & SE Connectors



### Features & Benefits:

- For use in connecting NM, SE cable and flexible cord to a box or enclosure..
- Zinc Die Cast construction



Certifications: UL-514B

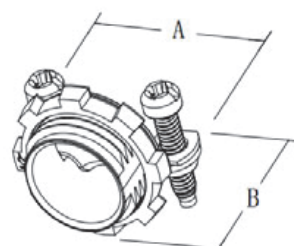
CAT#	TRADE SIZE	A Width	B LENGTH	WT /100pcs	PACKAGE INFORMATION		
	IN	IN	IN	LBS	INNER CASE	MASTER CASE	WT LBS
NC-38	3/8"	1.18	0.80	5.00		1000	50

## Two-Screw Strap Type Combination Connector



### Features & Benefits:

- For use in connecting NM, BX, FLEX cable to a box or enclosure.
- Zinc Die Cast construction.



Certifications: UL-514B

CAT#	TRADE SIZE	A Width	B LENGTH	CABLE MIN/MAX	PACKAGE INFORMATION		
	IN	IN	IN	IN	INNER CASE	MASTER CASE	WT LBS
MNC-38	3/8"	1.21	0.80	0.18/0.64		1000	60

# NM Cable Fittings

## Duplex Connector



### Features & Benefits:

- Consistent Quality – East Electrical Connectors are manufactured for long life, durability, and strength.
- For use in dry locations to connect NM cable, flexible metallic conduit and steel AC cable to a box, load center or enclosure.
- Zinc Die Cast construction

Certifications: UL-514B

CAT #	TRADE SIZE	DESCRIPTION	CABLE SIZES	PACKAGE INFO	
	IN			INNER CASE	MASTER CASE LBS
MC-DX-38	3/8"	ARMORED CABLE, STEEL	14/2 - 10/3	250	24
		ARMORED CABLE, ALUMINUM	14/2 - 10/3		
		METAL CLAD CABLE, STEEL	10/3		
		METAL CLAD CABLE, ALUMINUM	10/3		
		METAL CLAD CABLE, MCI-A, ALUMINUM	14/2 - 10/4		
		FMC / RWFMC , STEEL	3/8"		
		FMC / RWFMC, ALUMINUM	3/8"		
NM CABLE	14/2 - 12/3				



## "Snap-In" Type Cable Connectors



### Features & Benefits:

- For connecting nonmetallic cable to box or enclosure.
- Locknut not required.
- High Temperature Thermoplastic construction.
- Rated to 105°C.



Certifications: UL-514B

CAT#	TRADE SIZE	SINGLE CABLE	DOUBLE CABLE	RANGE IN	PACKAGE INFORMATION		
	IN	IN	IN	IN	INNER CASE	MASTER CASE	WT LBS
PBC-50NM	1/2"	14/2 - 10/3	14/2 - 12/2	0.3" - 0.6"		1000	
PBC-75NM	3/4"	8/3 - 6/3	14/3 - 10/2	0.5" - 0.85"		500	

## One Hole Strap



### Features & Benefits:

- Used to secure NM and AC/MC cable to wood, masonry or similar surface.
- Inverted rib provides extra strength



Certifications: UL-514B

CAT #	DESCRIPTION	CABLE	PACKAGE INFORMATION		
			INNER CARTON	MASTER CASE	WT LBS
OHS-1S	NM CABLE	14/2 - 8/3	1000	9	



# Weatherproof Boxes & Covers

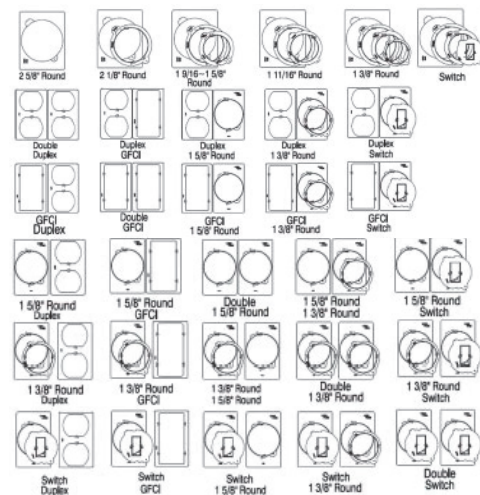
AnyCover™



## 14-IN-1 Configuration Inserts:

Duplex	GFCI	Toggle	1-3/8" Round	1-9/16"-1-5/8" Round	1-11/16" Round	2-1/8" Round
Duplex Adapter	GFCI Adapter	2-1/8" Adapter 1-9/16"-1-5/8" Ring Toggle Adapter	2-1/8" Adapter 1-9/16"-1-5/8" Ring 1-3/8" Ring	2-1/8" Adapter 1-9/16"-1-5/8" Ring	2-1/8" Adapter 1-9/16"-1-5/8" Ring	2-1/8" Adapter

## 31-IN-1 Configuration Inserts:



## WIUP-1



## WIUP-2D



Certifications: UL-514C

CAT #	TRADE SIZE	DESCRIPTION	PACKAGE INFORMATION		
			INNER CARTON	MASTER CASE	CASE LBS
WIUP-1	1-GANG	14-IN-1, SHALLOW TYPE		24	5.5
WIUP-2D	2-GANG	14-IN-1, DEEP TYPE		10	3.5

## Features & Benefits:

- Patented building-block adapter provides flexibility in receptacle configuration.
- Snap-In Templates
- Single-Gang Mounts Horizontally or Vertically.
- Lockable
- Swivel Device Adapter requires no tools to install
- Latching tab secures cover closed
- Extra large cord opening
- Meets 2014 NEC Article 406.9 (B)(1) Extra Duty Specification.
- Sturdy polycarbonate construction for long life



# Weatherproof Boxes & Covers

Weatherproof Covers



Certifications: UL-514A

CAT#	TRADE SIZE	DESCRIPTION	PACKAGE INFORMATION		
			INNER CASE	MASTER CASE	CASE LBS
1-BC	1-GANG	1-GANG WP COVER with GASKET		100	3
2-BC	2-GANG	2-GANG WP COVER with GASKET		100	12
3-BC	3-GANG	3-GANG WP COVER with GASKET		100	20



## Features & Benefits:

- UL Listed for wet locations
- Weather seal gasket included to keep moisture out.
- Copper-free Aluminum construction.

## Single-Gang Outlet Boxes



Certifications: UL-514A

CAT#	TRADE KO SIZE	A LENGTH IN	B WIDTH IN	C HEIGHT IN	WT /100pcs LBS	PACKAGE INFORMATION		
						INNER CASE	MASTER CASE	CASE LBS
FSB50-3	1/2"	4.61	2.83	2.01	25.48	25	7	
FSB75-3	3/4"	4.61	2.83	2.01	24.70	25	6	



## Features & Benefits:

- UL Listed for wet locations.
- 2" depth.
- Includes four (2) closure plugs and grounding screws.
- Copper-free Die Cast Aluminum construction.
- Grey Finish

## Round Boxes



Certifications: UL-514A

CAT#	TRADE SIZE	A DIAMETER IN	B HEIGHT IN	WT /100pcs LBS	PACKAGE INFORMATION		
					INNER CASE	MASTER CASE	CASE LBS
BRD-4	1/2"	4.21	1.61	23.8	24	6	
RB-7	3/4"	4.21	1.61	23.3	24	6	



## Features & Benefits:

- UL Listed for wet locations.
- Includes four (4) closure plugs, mounting lugs and grounding screws; gasket and cover.
- Cooper-free Aluminum construction.
- Grey Finish

# INDEX

PART#	SECTION NAME	PRODUCT DESCRIPTION	SECTION	PAGE
012ARC	ELBOWS, NIPPLES & COUPLINGS	1/2" ALUM. RIGID COUPLINGS	TWO	16
012ARE45	ELBOWS, NIPPLES & COUPLINGS	1/2" ALUMINUM RIGID ELBOW 45°	TWO	12
012ARE90	ELBOWS, NIPPLES & COUPLINGS	1/2" ALUMINUM RIGID ELBOW 90°	TWO	12
012ARN150	ELBOWS, NIPPLES & COUPLINGS	1/2" X 1 1/2" ALUMINUM RIGID NIPPLE	TWO	15
012ARN200	ELBOWS, NIPPLES & COUPLINGS	1/2" X 2" ALUMINUM RIGID NIPPLE	TWO	15
012ARN250	ELBOWS, NIPPLES & COUPLINGS	1/2" X 2 1/2" ALUMINUM RIGID NIPPLE	TWO	15
012ARN300	ELBOWS, NIPPLES & COUPLINGS	1/2" X 3 ALUMINUM RIGID NIPPLES	TWO	15
012ARN350	ELBOWS, NIPPLES & COUPLINGS	1/2" X 3 1/2" ALUMINUM RIGID NIPPLE	TWO	15
012ARN400	ELBOWS, NIPPLES & COUPLINGS	1/2" X 4" ALUMINUM RIGID NIPPLE	TWO	15
012ARN500	ELBOWS, NIPPLES & COUPLINGS	1/2" X 5" ALUMINUM RIGID NIPPLES	TWO	15
012ARN600	ELBOWS, NIPPLES & COUPLINGS	1/2" X 6" ALUMINUM RIGID NIPPLES	TWO	15
012CARN	ELBOWS, NIPPLES & COUPLINGS	1/2" X CLOSE ALUMINUM RIGID NIPPLES	TWO	16
012CE	CONDUIT	1/2" EMT CONDUIT RED	ONE	2
012CGRN	ELBOWS, NIPPLES & COUPLINGS	1/2" X CLOSE RIGID NIPPLE	TWO	16
012E	CONDUIT	1/2" EMT CONDUIT	ONE	1
012EE45	ELBOWS, NIPPLES & COUPLINGS	1/2" EMT 45° ELBOWS	TWO	5
012EE90	ELBOWS, NIPPLES & COUPLINGS	1/2" EMT 90° ELBOWS	TWO	5
012GRN150	ELBOWS, NIPPLES & COUPLINGS	1/2" X 1 1/2" RIGID NIPPLE	TWO	13
012GRN200	ELBOWS, NIPPLES & COUPLINGS	1/2" X 2" RIGID NIPPLE	TWO	13
012GRN250	ELBOWS, NIPPLES & COUPLINGS	1/2" X 2 1/2" RIGID NIPPLE	TWO	13
012GRN300	ELBOWS, NIPPLES & COUPLINGS	1/2" X 3" RIGID NIPPLE	TWO	13
012GRN400	ELBOWS, NIPPLES & COUPLINGS	1/2" X 4" RIGID NIPPLE	TWO	13
012GRN500	ELBOWS, NIPPLES & COUPLINGS	1/2" X 5" RIGID NIPPLE	TWO	13
012GRN600	ELBOWS, NIPPLES & COUPLINGS	1/2" X 6" RIGID NIPPLE	TWO	13
012R	CONDUIT	1/2" RIGID CONDUIT	ONE	3
012RC	ELBOWS, NIPPLES & COUPLINGS	1/2" RIGID COUPLINGS	TWO	17
012RE45	ELBOWS, NIPPLES & COUPLINGS	1/2" RIGID 45° ELBOW	TWO	8
012RE90	ELBOWS, NIPPLES & COUPLINGS	1/2" RIGID 90° ELBOW	TWO	7
034AR	CONDUIT	3/4" ALUMINUM RIGID CONDUIT	ONE	4
034ARC	ELBOWS, NIPPLES & COUPLINGS	3/4" ALUM. RIGID COUPLINGS	TWO	17
034ARE45	ELBOWS, NIPPLES & COUPLINGS	3/4" ALUMINUM RIGID ELBOW 45°	TWO	12
034ARE90	ELBOWS, NIPPLES & COUPLINGS	3/4" ALUMINUM RIGID ELBOW 90°	TWO	12
034ARN150	ELBOWS, NIPPLES & COUPLINGS	3/4" X 1 1/2" ALUMINUM RIGID NIPPLES	TWO	15
034ARN200	ELBOWS, NIPPLES & COUPLINGS	3/4" X 2" ALUMINUM RIGID NIPPLES	TWO	15
034ARN250	ELBOWS, NIPPLES & COUPLINGS	3/4" X 2 1/2" ALUMINUM RIGID NIPPLES	TWO	15
034ARN300	ELBOWS, NIPPLES & COUPLINGS	3/4" X 3" ALUMINUM RIGID NIPPLES	TWO	15
034ARN350	ELBOWS, NIPPLES & COUPLINGS	3/4" X 3 1/2" ALUMINUM RIGID NIPPLES	TWO	15
034ARN400	ELBOWS, NIPPLES & COUPLINGS	3/4" X 4" ALUMINUM RIGID NIPPLES	TWO	15
034ARN500	ELBOWS, NIPPLES & COUPLINGS	3/4" X 5" ALUMINUM RIGID NIPPLES	TWO	15
034ARN600	ELBOWS, NIPPLES & COUPLINGS	3/4" X 6" ALUMINUM RIGID NIPPLES	TWO	16
034CARN	ELBOWS, NIPPLES & COUPLINGS	3/4" X CLOSE ALUMINUM RIGID NIPPLES	TWO	16
034CE	CONDUIT	3/4" EMT CONDUIT RED	ONE	2
034CGRN	ELBOWS, NIPPLES & COUPLINGS	3/4" X CLOSE RIGID NIPPLES	TWO	14
034E	CONDUIT	3/4" EMT CONDUIT	ONE	1
034EE45	ELBOWS, NIPPLES & COUPLINGS	3/4" EMT 45° ELBOWS	TWO	5
034EE45RED	ELBOWS, NIPPLES & COUPLINGS	3/4" EMT 45° ELBOWS RED	TWO	5
034EE90	ELBOWS, NIPPLES & COUPLINGS	3/4" EMT 90° ELBOWS	TWO	5
034EE90RED	ELBOWS, NIPPLES & COUPLINGS	3/4" EMT 90° ELBOWS RED	TWO	5
034GRN200	ELBOWS, NIPPLES & COUPLINGS	3/4" X 2" RIGID NIPPLES	TWO	13
034GRN250	ELBOWS, NIPPLES & COUPLINGS	3/4" X 2 1/2" RIGID NIPPLES	TWO	13
034GRN300	ELBOWS, NIPPLES & COUPLINGS	3/4" X 3" RIGID NIPPLES	TWO	13
034GRN400	ELBOWS, NIPPLES & COUPLINGS	3/4" X 4" RIGID NIPPLES	TWO	13
034GRN500	ELBOWS, NIPPLES & COUPLINGS	3/4" X 5" RIGID NIPPLES	TWO	13
034GRN600	ELBOWS, NIPPLES & COUPLINGS	3/4" X 6" RIGID NIPPLES	TWO	13
034R	CONDUIT	3/4" RIGID CONDUIT	ONE	3
034RC	ELBOWS, NIPPLES & COUPLINGS	3/4" RIGID COUPLING	TWO	17
034RE45	ELBOWS, NIPPLES & COUPLINGS	3/4" RIGID 45° ELBOW	TWO	8
034RE90	ELBOWS, NIPPLES & COUPLINGS	3/4" RIGID 90° ELBOW	TWO	7
1004-L	BOXES & COVERS	GANGABLE DEVICE BOX 3X2" STEEL	EIGHT	47
1004-LH	BOXES & COVERS	GANGABLE DEVICE BOX 3X2" STEEL	EIGHT	47
100AR	CONDUIT	1" ALUMINUM RIGID CONDUIT	ONE	4

# INDEX

PART#	SECTION NAME	PRODUCT DESCRIPTION	SECTION	PAGE
100ARC	ELBOWS, NIPPLES & COUPLINGS	1" ALUM. RIGID COUPLINGS	ONE	4
100ARE45	ELBOWS, NIPPLES & COUPLINGS	1" ALUMINUM RIGID ELBOW 45°	ONE	8
100ARE90	ELBOWS, NIPPLES & COUPLINGS	1" ALUMINUM RIGID ELBOW 90°	ONE	7
100ARN200	ELBOWS, NIPPLES & COUPLINGS	1" X 2" ALUMINUM RIGID NIPPLE	TWO	15
100ARN250	ELBOWS, NIPPLES & COUPLINGS	1" X 2 1/2" ALUMINUM RIGID NIPPLE	TWO	15
100ARN300	ELBOWS, NIPPLES & COUPLINGS	1" X 3" ALUMINUM RIGID NIPPLE	TWO	15
100ARN350	ELBOWS, NIPPLES & COUPLINGS	1" X 3 1/2" ALUMINUM RIGID NIPPLE	TWO	15
100ARN400	ELBOWS, NIPPLES & COUPLINGS	1" X 4" ALUMINUM RIGID NIPPLE	TWO	15
100ARN500	ELBOWS, NIPPLES & COUPLINGS	1" X 5" ALUMINUM RIGID NIPPLE	TWO	15
100ARN600	ELBOWS, NIPPLES & COUPLINGS	1" X 6" ALUMINUM RIGID NIPPLE	TWO	15
100CARN	ELBOWS, NIPPLES & COUPLINGS	1" X CLOSE ALUMINUM RIGID NIPPLE	TWO	16
100CE	CONDUIT	1" EMT CONDUIT RED	ONE	2
100CGRN	ELBOWS, NIPPLES & COUPLINGS	1" X CLOSE RIGID NIPPLE	TWO	14
100E	CONDUIT	1" EMT CONDUIT	ONE	1
100EE45	ELBOWS, NIPPLES & COUPLINGS	1" EMT 45° ELBOWS	TWO	5
100EE45RED	ELBOWS, NIPPLES & COUPLINGS	1" EMT 45° ELBOWS RED	TWO	5
100EE90	ELBOWS, NIPPLES & COUPLINGS	1" EMT 90° ELBOWS	TWO	5
100EE90RED	ELBOWS, NIPPLES & COUPLINGS	1" EMT 90° ELBOWS RED	TWO	5
100GRN200	ELBOWS, NIPPLES & COUPLINGS	1" X 2" RIGID NIPPLE	TWO	13
100GRN250	ELBOWS, NIPPLES & COUPLINGS	1" X 2 1/2" RIGID NIPPLE	TWO	13
100GRN300	ELBOWS, NIPPLES & COUPLINGS	1" X 3" RIGID NIPPLE	TWO	13
100GRN400	ELBOWS, NIPPLES & COUPLINGS	1" X 4" RIGID NIPPLE	TWO	13
100GRN500	ELBOWS, NIPPLES & COUPLINGS	1" X 5" RIGID NIPPLE	TWO	13
100GRN600	ELBOWS, NIPPLES & COUPLINGS	1" X 6" RIGID NIPPLE	TWO	13
100R	CONDUIT	1" RIGID CONDUIT	ONE	3
100RC	ELBOWS, NIPPLES & COUPLINGS	1" RIGID COUPLING	TWO	17
100RE45	ELBOWS, NIPPLES & COUPLINGS	1" RIGID 45° ELBOW	TWO	8
100RE90	ELBOWS, NIPPLES & COUPLINGS	1" RIGID 90° ELBOW	TWO	7
1100-L	BOXES & COVERS	GANGABLE DEVICE BOX 3X2" STEEL	EIGHT	47
1102-L	BOXES & COVERS	GANGABLE DEVICE BOX 3X2" STEEL	EIGHT	47
1102-LH	BOXES & COVERS	GANGABLE DEVICE BOX 3X2" STEEL	EIGHT	47
1104-K	BOXES & COVERS	GANGABLE DEVICE BOX 3X2" STEEL	EIGHT	47
1104-L	BOXES & COVERS	GANGABLE DEVICE BOX 3X2" STEEL	EIGHT	47
1104-LA	BOXES & COVERS	GANGABLE DEVICE BOX 3X2" STEEL	EIGHT	47
1104-LH	BOXES & COVERS	GANGABLE DEVICE BOX 3X2" STEEL	EIGHT	47
1104-LHA	BOXES & COVERS	GANGABLE DEVICE BOX 3X2" STEEL	EIGHT	47
1110	BOXES & COVERS	UTILITY BOX	EIGHT	49
1110-R	BOXES & COVERS	UTILITY BOX EXTENSION	EIGHT	49
1161	RIGID FITTINGS	REDUCING BUSHINGS, STEEL 3/4"-1/2"	FOUR	28
1162	RIGID FITTINGS	REDUCING BUSHINGS, STEEL 1"-1/2"	FOUR	28
1163	RIGID FITTINGS	REDUCING BUSHINGS, STEEL 1"-3/4"	FOUR	28
1164	RIGID FITTINGS	REDUCING BUSHINGS, STEEL 1-1/4"-1/2"	FOUR	28
1165	RIGID FITTINGS	REDUCING BUSHINGS, STEEL 1-1/4"-3/4"	FOUR	28
1166	RIGID FITTINGS	REDUCING BUSHINGS, STEEL 1-1/4"-1"	FOUR	28
1167	RIGID FITTINGS	REDUCING BUSHINGS, STEEL 1-1/2"-1/2"	FOUR	28
1168	RIGID FITTINGS	REDUCING BUSHINGS, STEEL 1-1/2"-3/4"	FOUR	28
1169	RIGID FITTINGS	REDUCING BUSHINGS, STEEL 1-1/2"-1"	FOUR	28
1170	RIGID FITTINGS	REDUCING BUSHINGS, STEEL 1-1/2"-1-1/4"	FOUR	28
1171	RIGID FITTINGS	REDUCING BUSHINGS, STEEL 2"-1/2"	FOUR	28
1172	RIGID FITTINGS	REDUCING BUSHINGS, STEEL 2"-3/4"	FOUR	28
1173	RIGID FITTINGS	REDUCING BUSHINGS, STEEL 2"-1"	FOUR	28
1174	RIGID FITTINGS	REDUCING BUSHINGS, STEEL 2"-1-1/4"	FOUR	28
1175	RIGID FITTINGS	REDUCING BUSHINGS, STEEL 2"-1-1/2"	FOUR	28
11C1	BOXES & COVERS	UTILITY BOX DUPLEX COVER	EIGHT	51
11C10	BOXES & COVERS	UTILITY BOX DECORA COVER	EIGHT	51
11C4	BOXES & COVERS	UTILITY BOX BLANK COVER	EIGHT	51
11C5	BOXES & COVERS	UTILITY BOX TOGGLE SWITCH COVER	EIGHT	51
125AR	CONDUIT	1 1/4" ALUMINUM RIGID CONDUIT	ONE	4
125ARC	ELBOWS, NIPPLES & COUPLINGS	1 1/4" ALUM. RIGID COUPLINGS	TWO	17
125ARE45	ELBOWS, NIPPLES & COUPLINGS	1 1/4" ALUMINUM RIGID 45° ELBOW	TWO	12
125ARE90	ELBOWS, NIPPLES & COUPLINGS	1 1/4" ALUMINUM RIGID 90° ELBOW	TWO	12

# INDEX

PART#	SECTION NAME	PRODUCT DESCRIPTION	SECTION	PAGE
125ARN200	ELBOWS, NIPPLES & COUPLINGS	1 1/4" X 2" ALUMINUM RIGID NIPPLES	TWO	15
125ARN250	ELBOWS, NIPPLES & COUPLINGS	1 1/4" X 2 1/2" ALUMINUM RIGID NIPPLES	TWO	15
125ARN300	ELBOWS, NIPPLES & COUPLINGS	1 1/4" X 3" ALUMINUM RIGID NIPPLES	TWO	15
125ARN350	ELBOWS, NIPPLES & COUPLINGS	1 1/4" X 3 1/2" ALUMINUM RIGID NIPPLES	TWO	15
125ARN400	ELBOWS, NIPPLES & COUPLINGS	1 1/4" X 4" ALUMINUM RIGID NIPPLES	TWO	15
125ARN500	ELBOWS, NIPPLES & COUPLINGS	1 1/4" X 5" ALUMINUM RIGID NIPPLES	TWO	15
125ARN600	ELBOWS, NIPPLES & COUPLINGS	1 1/4" X 6" ALUMINUM RIGID NIPPLES	TWO	15
125CARN	ELBOWS, NIPPLES & COUPLINGS	1 1/4" X CLOSE ALUMINUM RIGID NIPPLES	TWO	16
125CGRN	ELBOWS, NIPPLES & COUPLINGS	1 1/4" X CLOSE RIGID NIPPLES	TWO	14
125E	CONDUIT	1 1/4" EMT CONDUIT	ONE	1
125EE225	ELBOWS, NIPPLES & COUPLINGS	1 1/4" EMT 22.5° ELBOWS	TWO	6
125EE30	ELBOWS, NIPPLES & COUPLINGS	1 1/4" EMT 30° ELBOWS	TWO	6
125EE45	ELBOWS, NIPPLES & COUPLINGS	1 1/4" EMT 45° ELBOWS	TWO	5
125EE90	ELBOWS, NIPPLES & COUPLINGS	1 1/4" EMT 90° ELBOWS	TWO	5
125GRN200	ELBOWS, NIPPLES & COUPLINGS	1 1/4" X 2" RIGID NIPPLES	TWO	13
125GRN300	ELBOWS, NIPPLES & COUPLINGS	1 1/4" X 3" RIGID NIPPLES	TWO	13
125GRN400	ELBOWS, NIPPLES & COUPLINGS	1 1/4" X 4" RIGID NIPPLES	TWO	13
125GRN500	ELBOWS, NIPPLES & COUPLINGS	1 1/4" X 5" RIGID NIPPLES	TWO	13
125GRN600	ELBOWS, NIPPLES & COUPLINGS	1 1/4" X 6" RIGID NIPPLES	TWO	13
125R	CONDUIT	1 1/4" RIGID CONDUIT	ONE	3
125RC	ELBOWS, NIPPLES & COUPLINGS	1 1/4" RIGID COUPLINGS	TWO	17
125RE45	ELBOWS, NIPPLES & COUPLINGS	1 1/4" RIGID 45° ELBOW	TWO	8
125RE90	ELBOWS, NIPPLES & COUPLINGS	1 1/4" RIGID 90° ELBOW	TWO	7
1304-LHTQ	BOXES & COVERS	GANGABLE DEVICE BOX 3X2" STEEL	EIGHT	47
1321	BOXES & COVERS	LOW VOLTAGE BRACKET - NEW CONSTRUCTION	EIGHT	51
150AR	CONDUIT	1 1/2" ALUMINUM RIGID CONDUIT	ONE	4
150ARC	ELBOWS, NIPPLES & COUPLINGS	1 1/2" ALUM. RIGID COUPLINGS	TWO	17
150ARE45	ELBOWS, NIPPLES & COUPLINGS	1 1/2" ALUMINUM RIGID 45° ELBOW	TWO	12
150ARE90	ELBOWS, NIPPLES & COUPLINGS	1 1/2" ALUMINUM RIGID 90° ELBOW	TWO	12
150ARN200	ELBOWS, NIPPLES & COUPLINGS	1 1/2" X 2" ALUMINUM RIGID NIPPLES	TWO	15
150ARN250	ELBOWS, NIPPLES & COUPLINGS	1 1/2" X 2 1/2" ALUMINUM RIGID NIPPLES	TWO	15
150ARN300	ELBOWS, NIPPLES & COUPLINGS	1 1/2" X 3" ALUMINUM RIGID NIPPLES	TWO	15
150ARN350	ELBOWS, NIPPLES & COUPLINGS	1 1/2" X 3 1/2" ALUMINUM RIGID NIPPLES	TWO	15
150ARN400	ELBOWS, NIPPLES & COUPLINGS	1 1/2" X 4" ALUMINUM RIGID NIPPLES	TWO	15
150ARN500	ELBOWS, NIPPLES & COUPLINGS	1 1/2" X 5" ALUMINUM RIGID NIPPLES	TWO	15
150ARN600	ELBOWS, NIPPLES & COUPLINGS	1 1/2" X 6" ALUMINUM RIGID NIPPLES	TWO	15
150CARN	ELBOWS, NIPPLES & COUPLINGS	1 1/2" X CLOSE ALUMINUM RIGID NIPPLES	TWO	16
150CGRN	ELBOWS, NIPPLES & COUPLINGS	1 1/2" X CLOSE RIGID NIPPLES	TWO	14
150E	CONDUIT	1 1/2" EMT CONDUIT	ONE	1
150EE225	ELBOWS, NIPPLES & COUPLINGS	1 1/2" EMT 22.5° ELBOW	TWO	6
150EE30	ELBOWS, NIPPLES & COUPLINGS	1 1/2" EMT 30° ELBOW	TWO	6
150EE45	ELBOWS, NIPPLES & COUPLINGS	1 1/2" EMT 45° ELBOW	TWO	5
150EE90	ELBOWS, NIPPLES & COUPLINGS	1 1/2" EMT 90° ELBOWS	TWO	5
150GRN200	ELBOWS, NIPPLES & COUPLINGS	1 1/2" X 2" RIGID NIPPLES	TWO	13
150GRN250	ELBOWS, NIPPLES & COUPLINGS	1 1/2" X 2 1/2" RIGID NIPPLES	TWO	13
150GRN300	ELBOWS, NIPPLES & COUPLINGS	1 1/2" X 3" RIGID NIPPLES	TWO	13
150GRN400	ELBOWS, NIPPLES & COUPLINGS	1 1/2" X 4" RIGID NIPPLES	TWO	13
150GRN500	ELBOWS, NIPPLES & COUPLINGS	1 1/2" X 5" RIGID NIPPLES	TWO	13
150GRN600	ELBOWS, NIPPLES & COUPLINGS	1 1/2" X 6" RIGID NIPPLES	TWO	13
150R	CONDUIT	1 1/2" RIGID CONDUIT	ONE	3
150RC	ELBOWS, NIPPLES & COUPLINGS	1 1/2" RIGID COUPLING	TWO	17
150RE45	ELBOWS, NIPPLES & COUPLINGS	1 1/2" RIGID 45° ELBOW	TWO	8
150RE90	ELBOWS, NIPPLES & COUPLINGS	1 1/2" RIGID 90° ELBOW	TWO	7
1-BC	WEATHERPROOF	WEATHERPROOF COVER WITH GASKET	ELEVEN	70
200AR	CONDUIT	2" ALUMINUM RIGID CONDUIT	ONE	4
200ARC	ELBOWS, NIPPLES & COUPLINGS	2" ALUM. RIGID COUPLINGS	TWO	17
200ARE45	ELBOWS, NIPPLES & COUPLINGS	2" ALUMINUM RIGID 45° ELBOW	TWO	12
200ARE90	ELBOWS, NIPPLES & COUPLINGS	2" ALUMINUM RIGID 90° ELBOW	TWO	12
200ARN250	ELBOWS, NIPPLES & COUPLINGS	2" X 2 1/2" ALUMINUM RIGID NIPPLES	TWO	15
200ARN300	ELBOWS, NIPPLES & COUPLINGS	2" X 3" ALUMINUM RIGID NIPPLES	TWO	15
200ARN350	ELBOWS, NIPPLES & COUPLINGS	2" X 3 1/2" ALUMINUM RIGID NIPPLES	TWO	15

# INDEX

PART#	SECTION NAME	PRODUCT DESCRIPTION	SECTION	PAGE
200ARN400	ELBOWS, NIPPLES & COUPLINGS	2" X 4" ALUMINUM RIGID NIPPLES	TWO	15
200ARN500	ELBOWS, NIPPLES & COUPLINGS	2" X 5" ALUMINUM RIGID NIPPLES	TWO	15
200ARN600	ELBOWS, NIPPLES & COUPLINGS	2" X 6" ALUMINUM RIGID NIPPLES	TWO	15
200CARN	ELBOWS, NIPPLES & COUPLINGS	2" X CLOSE ALUMINUM RIGID NIPPLES	TWO	16
200CGRN	ELBOWS, NIPPLES & COUPLINGS	2" X CLOSE RIGID NIPPLES	TWO	14
200E	CONDUIT	2" EMT CONDUIT	ONE	1
200EE2250	ELBOWS, NIPPLES & COUPLINGS	2" EMT 22.5° ELBOWS	TWO	6
200EE30	ELBOWS, NIPPLES & COUPLINGS	2" EMT 30° ELBOWS	TWO	6
200EE45	ELBOWS, NIPPLES & COUPLINGS	2" EMT 45° ELBOWS	TWO	5
200EE90	ELBOWS, NIPPLES & COUPLINGS	2" EMT 90° ELBOWS	TWO	5
200GRN250	ELBOWS, NIPPLES & COUPLINGS	2" X 2 1/2" RIGID NIPPLES	TWO	13
200GRN300	ELBOWS, NIPPLES & COUPLINGS	2" X 3" RIGID NIPPLES	TWO	13
200GRN400	ELBOWS, NIPPLES & COUPLINGS	2" X 4" RIGID NIPPLES	TWO	13
200GRN500	ELBOWS, NIPPLES & COUPLINGS	2" X 5" RIGID NIPPLES	TWO	13
200GRN600	ELBOWS, NIPPLES & COUPLINGS	2" X 6" RIGID NIPPLES	TWO	13
200R	CONDUIT	2" RIGID CONDUIT	ONE	3
200RC	ELBOWS, NIPPLES & COUPLINGS	2" RIGID COUPLING	TWO	17
200RE45	ELBOWS, NIPPLES & COUPLINGS	2" RIGID 45° ELBOW	TWO	8
200RE90	ELBOWS, NIPPLES & COUPLINGS	2" RIGID 90° ELBOW	TWO	7
2020	BOXES & COVERS	UTILITY BOX	EIGHT	49
2104-LLE	BOXES & COVERS	2 1/2" GANG DEVICE BOX	EIGHT	48
2104-LLE-2	BOXES & COVERS	2 1/2" GANG DEVICE BOX	EIGHT	48
2104-LLE-2	BOXES & COVERS	2 1/2" GANG DEVICE BOX	EIGHT	48
2104-LLE-3	BOXES & COVERS	2 1/2" GANG DEVICE BOX	EIGHT	48
2104-LLE-4	BOXES & COVERS	2 1/2" GANG DEVICE BOX	EIGHT	48
2104-LSSAX	BOXES & COVERS	2 1/2" GANG DEVICE BOX / WRAPAROUND	EIGHT	48
2304-LHTQ-1	BOXES & COVERS	2 1/2" GANG DEVICE BOX	EIGHT	48
250AR	CONDUIT	2 1/2" ALUMINUM RIGID CONDUIT	ONE	4
250ARC	ELBOWS, NIPPLES & COUPLINGS	2 1/2" ALUMINUM RIGID COUPLINGS	TWO	17
250ARE45	ELBOWS, NIPPLES & COUPLINGS	2 1/2" ALUMINUM RIGID 45° ELBOW	TWO	12
250ARE90	ELBOWS, NIPPLES & COUPLINGS	2 1/2" ALUMINUM RIGID 90° ELBOW	TWO	12
250ARN300	ELBOWS, NIPPLES & COUPLINGS	2 1/2" X 3" ALUMINUM RIGID NIPPLES	TWO	15
250ARN350	ELBOWS, NIPPLES & COUPLINGS	2 1/2" X 3 1/2" ALUMINUM RIGID NIPPLES	TWO	15
250ARN400	ELBOWS, NIPPLES & COUPLINGS	2 1/2" X 4" ALUMINUM RIGID NIPPLES	TWO	15
250ARN500	ELBOWS, NIPPLES & COUPLINGS	2 1/2" X 5" ALUMINUM RIGID NIPPLES	TWO	15
250ARN600	ELBOWS, NIPPLES & COUPLINGS	2 1/2" X 6" ALUMINUM RIGID NIPPLES	TWO	15
250CARN	ELBOWS, NIPPLES & COUPLINGS	2 1/2" X CLOSE ALUMINUM RIGID NIPPLES	TWO	15
250CGRN	ELBOWS, NIPPLES & COUPLINGS	2 1/2" X CLOSE RIGID NIPPLES	TWO	16
250E	CONDUIT	2 1/2" EMT CONDUIT	ONE	1
250EE225	ELBOWS, NIPPLES & COUPLINGS	2 1/2" EMT 22.5° ELBOW	TWO	6
250EE30	ELBOWS, NIPPLES & COUPLINGS	2 1/2" EMT 30° ELBOW	TWO	6
250EE45	ELBOWS, NIPPLES & COUPLINGS	2 1/2" EMT 45° ELBOW	TWO	5
250EE90	ELBOWS, NIPPLES & COUPLINGS	2 1/2" EMT 90° ELBOW	TWO	5
250GRN300	ELBOWS, NIPPLES & COUPLINGS	2 1/2" X 3" RIGID NIPPLES	TWO	13
250GRN400	ELBOWS, NIPPLES & COUPLINGS	2 1/2" X 4" RIGID NIPPLES	TWO	13
250GRN500	ELBOWS, NIPPLES & COUPLINGS	2 1/2" X 5" RIGID NIPPLES	TWO	13
250GRN600	ELBOWS, NIPPLES & COUPLINGS	2 1/2" X 6" RIGID NIPPLES	TWO	13
250R	CONDUIT	2 1/2" RIGID CONDUIT	ONE	3
250RC	ELBOWS, NIPPLES & COUPLINGS	2 1/2" RIGID COUPLING	TWO	17
250RE45	ELBOWS, NIPPLES & COUPLINGS	2 1/2" RIGID 45° ELBOW	TWO	8
250RE90	ELBOWS, NIPPLES & COUPLINGS	2 1/2" RIGID 90° ELBOW	TWO	7
2-BC	WEATHERPROOF	WEATHERPROOF COVER WITH GASKET	ELEVEN	70
300AR	CONDUIT	3" ALUMINUM RIGID CONDUIT	ONE	4
300ARC	ELBOWS, NIPPLES & COUPLINGS	3" ALUM. RIGID COUPLINGS	TWO	17
300ARE45	Elbows, Nipples & Couplings	3" ALUMINUM RIGID 45° ELBOW	TWO	12
300ARE90	Elbows, Nipples & Couplings	3" ALUMINUM RIGID 90° ELBOW	TWO	12
300ARN300	Elbows, Nipples & Couplings	3" X 3" ALUMINUM RIGID NIPPLES	TWO	15
300ARN350	Elbows, Nipples & Couplings	3" X 3 1/2" ALUMINUM RIGID NIPPLES	TWO	15
300ARN400	Elbows, Nipples & Couplings	3" X 4" ALUMINUM RIGID NIPPLES	TWO	15
300ARN500	Elbows, Nipples & Couplings	3" X 5" ALUMINUM RIGID NIPPLES	TWO	15
300ARN600	Elbows, Nipples & Couplings	3" X 6" ALUMINUM RIGID NIPPLES	TWO	15

# INDEX

PART#	SECTION NAME	PRODUCT DESCRIPTION	SECTION	PAGE
300CARN	ELBOWS, NIPPLES & COUPLINGS	3" X CLOSE ALUMINUM RIGID NIPPLES	TWO	16
300CGRN	ELBOWS, NIPPLES & COUPLINGS	3" X CLOSE RIGID NIPPLES	TWO	14
300E	CONDUIT	3" EMT CONDUIT	ONE	1
300EE225	ELBOWS, NIPPLES & COUPLINGS	3" EMT 22.5° ELBOW	TWO	6
300EE30	ELBOWS, NIPPLES & COUPLINGS	3" EMT 30° ELBOW	TWO	6
300EE45	ELBOWS, NIPPLES & COUPLINGS	3" EMT 45° ELBOW	TWO	5
300EE90	ELBOWS, NIPPLES & COUPLINGS	3" EMT 90° ELBOW	TWO	5
300GRN400	ELBOWS, NIPPLES & COUPLINGS	3" X 4" RIGID NIPPLES	TWO	14
300GRN500	ELBOWS, NIPPLES & COUPLINGS	3" X 5" RIGID NIPPLES	TWO	14
300GRN600	ELBOWS, NIPPLES & COUPLINGS	3" X 6" RIGID NIPPLES	TWO	14
300R	CONDUIT	3" RIGID CONDUIT	ONE	3
300RC	ELBOWS, NIPPLES & COUPLINGS	3" RIGID COUPLING	TWO	17
300RE45	ELBOWS, NIPPLES & COUPLINGS	3" RIGID 45° ELBOW	TWO	8
300RE90	ELBOWS, NIPPLES & COUPLINGS	3" RIGID 90° ELBOW	TWO	7
3102-SSX	BOXES & COVERS	GANGABLE DEVICE BOX 3X2" STEEL - WRAPAROUND	EIGHT	47
3104-KSSX	BOXES & COVERS	GANGABLE DEVICE BOX 3X2" STEEL - WRAPAROUND	EIGHT	47
3104-KSSX-1	BOXES & COVERS	GANGABLE DEVICE BOX 3X2" STEEL - WRAPAROUND	EIGHT	47
3104-LSSAX	BOXES & COVERS	GANGABLE DEVICE BOX 3X2" STEEL - WRAPAROUND	EIGHT	47
3104-LSSAX-1	BOXES & COVERS	GANGABLE DEVICE BOX 3X2" STEEL - WRAPAROUND	EIGHT	47
350ARN400	ELBOWS, NIPPLES & COUPLINGS	3 1/2" X 4" ALUMINUM RIGID NIPPLES	TWO	16
350ARN500	ELBOWS, NIPPLES & COUPLINGS	3 1/2" X 5" ALUMINUM RIGID NIPPLES	TWO	16
350ARN600	ELBOWS, NIPPLES & COUPLINGS	3 1/2" X 6" ALUMINUM RIGID NIPPLES	TWO	16
350CARN	ELBOWS, NIPPLES & COUPLINGS	3 1/2" X CLOSE ALUMINUM RIGID NIPPLES	TWO	16
3-BC	WEATHERPROOF	BLANK WEATHERPROOF COVER WITH GASKET	ELEVEN	70
400ARC	ELBOWS, NIPPLES & COUPLINGS	4" ALUMINUM RIGID COUPLING	TWO	17
400ARE45	ELBOWS, NIPPLES & COUPLINGS	4" ALUMINUM RIGID 45° ELBOW	TWO	12
400ARE90	ELBOWS, NIPPLES & COUPLINGS	4" ALUMINUM RIGID 90° ELBOW	TWO	12
400ARN400	ELBOWS, NIPPLES & COUPLINGS	4" X 4" ALUMINUM RIGID NIPPLES	TWO	16
400ARN500	ELBOWS, NIPPLES & COUPLINGS	4" X 5" ALUMINUM RIGID NIPPLES	TWO	16
400ARN600	ELBOWS, NIPPLES & COUPLINGS	4" X 6" ALUMINUM RIGID NIPPLES	TWO	16
400CARN	ELBOWS, NIPPLES & COUPLINGS	4" X CLOSE ALUMINUM RIGID NIPPLES	TWO	16
400CGRN	ELBOWS, NIPPLES & COUPLINGS	4" X CLOSE RIGID NIPPLES	TWO	14
400E	CONDUIT	4" EMT CONDUIT	ONE	1
400EE225	ELBOWS, NIPPLES & COUPLINGS	4" EMT 22.5° ELBOW	TWO	6
400EE30	ELBOWS, NIPPLES & COUPLINGS	4" EMT 30° ELBOW	TWO	6
400EE45	ELBOWS, NIPPLES & COUPLINGS	4" EMT 45° ELBOW	TWO	5
400EE90	ELBOWS, NIPPLES & COUPLINGS	4" EMT 90° ELBOWS	TWO	5
400GRN400	ELBOWS, NIPPLES & COUPLINGS	4" X 4" RIGID NIPPLES	TWO	14
400GRN500	ELBOWS, NIPPLES & COUPLINGS	4" X 5" RIGID NIPPLES	TWO	14
400GRN600	ELBOWS, NIPPLES & COUPLINGS	4" X 6" RIGID NIPPLES	TWO	14
400R	CONDUIT	4" RIGID CONDUIT	ONE	3
400RC	ELBOWS, NIPPLES & COUPLINGS	4" RIGID COUPLING	TWO	17
400RE45	ELBOWS, NIPPLES & COUPLINGS	4" RIGID 45° ELBOW	TWO	8
400RE90	ELBOWS, NIPPLES & COUPLINGS	4" RIGID 90° ELBOW	TWO	7
500R	CONDUIT	5" RIGID CONDUIT	ONE	3
500RC	ELBOWS, NIPPLES & COUPLINGS	5" RIGID COUPLING	TWO	17
500RE90	ELBOWS, NIPPLES & COUPLINGS	5" RIGID 90° ELBOW	TWO	7
52151-K	BOXES & COVERS	4" SQUARE BOX	EIGHT	53
52151-KSSX	BOXES & COVERS	4" SQUARE BOX - WRAPAROUND	EIGHT	53
52171-K	BOXES & COVERS	4" SQUARE BOX	EIGHT	53
52171-KSSX	BOXES & COVERS	4" SQUARE BOX - WRAPAROUND	EIGHT	53
52C0	BOXES & COVERS	4" SQUARE FLAT COVER	EIGHT	54
52C00	BOXES & COVERS	4" SQUARE FLAT COVER	EIGHT	54
52C1	BOXES & COVERS	4" SQUARE FLAT COVER	EIGHT	54
52C13	BOXES & COVERS	4" SQUARE DEVICE RING	EIGHT	54
52C14	BOXES & COVERS	4" SQUARE DEVICE RING	EIGHT	54
52C17	BOXES & COVERS	4" SQUARE DEVICE RING	EIGHT	54
52C18	BOXES & COVERS	4" SQUARE DEVICE RING	EIGHT	54
52C49-1	BOXES & COVERS	4" SQUARE DEVICE RING	EIGHT	54
52C49-1/2	BOXES & COVERS	4" SQUARE DEVICE RING	EIGHT	54
52C6	BOXES & COVERS	4" SQUARE FLAT COVER	EIGHT	54

# INDEX

PART#	SECTION NAME	PRODUCT DESCRIPTION	SECTION	PAGE
52CADJ	BOXES & COVERS	4" SQUARE DEVICE RING	EIGHT	54
52CADJ2	BOXES & COVERS	4" SQUARE DEVICE RING	EIGHT	54
53151-K	BOXES & COVERS	4" SQUARE EXTENSION	EIGHT	55
53171-K	BOXES & COVERS	4" SQUARE EXTENSION	EIGHT	55
54151-K	BOXES & COVERS	4" OCTAGONAL BOX	EIGHT	57
54151-KSSX	BOXES & COVERS	4" OCTAGONAL BOX - WRAPAROUND	EIGHT	57
54151-L	BOXES & COVERS	4" OCTAGONAL BOX	EIGHT	57
54151-LA	BOXES & COVERS	4" OCTAGONAL BOX	EIGHT	57
54151-LB	BOXES & COVERS	4" OCTAGONAL BOX - WRAPAROUND	EIGHT	57
54151-LD	BOXES & COVERS	4" OCTAGONAL BOX - WRAPAROUND	EIGHT	57
54151-LSSAX	BOXES & COVERS	4" OCTAGONAL BOX - WRAPAROUND	EIGHT	57
54171-K	BOXES & COVERS	4" OCTAGONAL BOX	EIGHT	57
54171-KSSX	BOXES & COVERS	4" OCTAGONAL BOX - WRAPAROUND	EIGHT	57
54171-KSSX-1	BOXES & COVERS	4" OCTAGONAL BOX - WRAPAROUND	EIGHT	57
54171-L	BOXES & COVERS	4" OCTAGONAL BOX	EIGHT	57
54C1	BOXES & COVERS	4" ROUND BOX COVER	EIGHT	58
54C6	BOXES & COVERS	4" ROUND BOX COVER	EIGHT	58
54C65	BOXES & COVERS	4" ROUND BOX COVER	EIGHT	58
55151-K	BOXES & COVERS	4" OCTAGON BOX EXTENSION	EIGHT	58
56111	BOXES & COVERS	4" PANCAKE BOX	EIGHT	58
600RC	ELBOWS, NIPPLES & COUPLINGS	6" RIGID COUPLING	TWO	17
600RE90	ELBOWS, NIPPLES & COUPLINGS	6" RIGID 90° ELBOW	TWO	7
66	BOXES & COVERS	PROTECTION PLATE	EIGHT	51
66SS	BOXES & COVERS	PROTECTION PLATE	EIGHT	51
72171-1	BOXES & COVERS	4 11/16" SQUARE BOX	EIGHT	55
72171-K	BOXES & COVERS	4 11/16" SQUARE BOX	EIGHT	55
72171-KSSX	BOXES & COVERS	4-11/16" SQUARE BOX	EIGHT	55
72C1	BOXES & COVERS	4-11/16" SQUARE BOX COVER	EIGHT	56
72C13	BOXES & COVERS	4-11/16" SQUARE DEVICE RING	EIGHT	56
72C14-5/8	BOXES & COVERS	4-11/16" SQUARE DEVICE RING	EIGHT	56
72C17	BOXES & COVERS	4-11/16" SQUARE DEVICE RING	EIGHT	56
72C6	BOXES & COVERS	4-11/16" SQUARE BOX COVER	EIGHT	56
73151-K	BOXES & COVERS	4-11/16" SQUARE BOX EXTENSION	EIGHT	56
777LRB	BOXES & COVERS	REWORK BOX	EIGHT	50
820D	HANGING & SUPPORT	DEVICE BOX SUPPORTS	SEVEN	46
820D	BOXES & COVERS	DEVICE BOX SUPPORTS	EIGHT	49
8367	BOXES & COVERS	4" SQUARE BOX RAISED COVER	EIGHT	54
8368	BOXES & COVERS	4" SQUARE BOX RAISED COVER	EIGHT	54
8371	BOXES & COVERS	4" SQUARE BOX RAISED COVER	EIGHT	54
ACD49	LIQUIDTIGHT FITTINGS	AC DISCONNECT, 60 AMP	SIX	42
BC-100M	HANGING & SUPPORT	BEAM CLAMP	SEVEN	45
BC-200M	HANGING & SUPPORT	BEAM CLAMP	SEVEN	45
BL-16	BX, FLEX & MC FITTINGS	AC & MC CABLE CONNECTORS	NINE	63
BL-17	BX, FLEX & MC FITTINGS	AC & MC CABLE CONNECTORS	NINE	63
BL-18	BX, FLEX & MC FITTINGS	AC & MC CABLE CONNECTORS	NINE	64
BL-19	BX, FLEX & MC FITTINGS	AC & MC CABLE CONNECTORS	NINE	64
BRD-4	WEATHERPROOF	4" ROUND WEATHERPROOF BOX	ELEVEN	70
C-100SC	CONDUIT BODIES	RIGID C TYPE WITH COVER & GASKET	FIVE	36
C-125SC	CONDUIT BODIES	RIGID C TYPE WITH COVER & GASKET	FIVE	36
C-150SC	CONDUIT BODIES	RIGID C TYPE WITH COVER & GASKET	FIVE	36
C-200SC	CONDUIT BODIES	RIGID C TYPE WITH COVER & GASKET	FIVE	36
C-250SC	CONDUIT BODIES	RIGID C TYPE WITH COVER & GASKET	FIVE	36
C-300SC	CONDUIT BODIES	RIGID C TYPE WITH COVER & GASKET	FIVE	36
C-350SC	CONDUIT BODIES	RIGID C TYPE WITH COVER & GASKET	FIVE	36
C-400SC	CONDUIT BODIES	RIGID C TYPE WITH COVER & GASKET	FIVE	36
C-50SC	CONDUIT BODIES	RIGID C TYPE WITH COVER & GASKET	FIVE	36
C-75SC	CONDUIT BODIES	RIGID C TYPE WITH COVER & GASKET	FIVE	36
CB-100P	RIGID FITTINGS	INSULATING PLASTIC BUSHING	FOUR	29
CB-125P	RIGID FITTINGS	INSULATING PLASTIC BUSHING	FOUR	29
CB-150P	RIGID FITTINGS	INSULATING PLASTIC BUSHING	FOUR	29
CB-200P	RIGID FITTINGS	INSULATING PLASTIC BUSHING	FOUR	29



# INDEX

PART#	SECTION NAME	PRODUCT DESCRIPTION	SECTION	PAGE
CB-250P	RIGID FITTINGS	INSULATING PLASTIC BUSHING	FOUR	29
CB-300P	RIGID FITTINGS	INSULATING PLASTIC BUSHING	FOUR	29
CB-350P	RIGID FITTINGS	INSULATING PLASTIC BUSHING	FOUR	29
CB-400P	RIGID FITTINGS	INSULATING PLASTIC BUSHING	FOUR	29
CB-50P	RIGID FITTINGS	INSULATING PLASTIC BUSHING	FOUR	29
CB-75P	RIGID FITTINGS	INSULATING PLASTIC BUSHING	FOUR	29
CC-100RTS1	EMT FITTINGS	RAIN TIGHT COMPRESSION CONNECTOR	THREE	21
CC-100S1	EMT FITTINGS	COMPRESSION CONNECTOR	THREE	20
CC-100SC	CONDUIT BODIES	COMBINATION C TYPE WITH COVER & GASKET	FIVE	37
CC-125RTS1	EMT FITTINGS	RAIN TIGHT COMPRESSION CONNECTOR	THREE	21
CC-125S1	EMT FITTINGS	COMPRESSION CONNECTOR	THREE	20
CC-125SC	CONDUIT BODIES	COMBINATION C TYPE WITH COVER & GASKET	FIVE	37
CC-150RTS1	EMT FITTINGS	RAIN TIGHT COMPRESSION CONNECTOR	THREE	21
CC-150S1	EMT FITTINGS	COMPRESSION CONNECTOR	THREE	20
CC-150SC	CONDUIT BODIES	COMBINATION C TYPE WITH COVER & GASKET	FIVE	37
CC-200RTS1	EMT FITTINGS	RAIN TIGHT COMPRESSION CONNECTOR	THREE	21
CC-200S1	EMT FITTINGS	COMPRESSION CONNECTOR	THREE	20
CC-200SC	CONDUIT BODIES	COMBINATION C TYPE WITH COVER & GASKET	FIVE	37
CC-250RTS1	EMT FITTINGS	RAIN TIGHT COMPRESSION CONNECTOR	THREE	21
CC-250S1	EMT FITTINGS	COMPRESSION CONNECTOR	THREE	20
CC-300RTS1	EMT FITTINGS	RAIN TIGHT COMPRESSION CONNECTOR	THREE	21
CC-300S1	EMT FITTINGS	COMPRESSION CONNECTOR	THREE	20
CC-350RTS1	EMT FITTINGS	RAIN TIGHT COMPRESSION CONNECTOR	THREE	21
CC-400RTS1	EMT FITTINGS	RAIN TIGHT COMPRESSION CONNECTOR	THREE	21
CC-400S1	EMT FITTINGS	COMPRESSION CONNECTOR	THREE	20
CC-50RTS1	EMT FITTINGS	RAIN TIGHT COMPRESSION CONNECTOR	THREE	21
CC-50S1	EMT FITTINGS	COMPRESSION CONNECTOR	THREE	20
CC-50SC	CONDUIT BODIES	COMBINATION C TYPE WITH COVER & GASKET	FIVE	37
CC-75RTS1	EMT FITTINGS	RAIN TIGHT COMPRESSION CONNECTOR	THREE	21
CC-75S1	EMT FITTINGS	COMPRESSION CONNECTOR	THREE	20
CC-75SC	CONDUIT BODIES	COMBINATION C TYPE WITH COVER & GASKET	FIVE	37
CCI-100RTS1	EMT FITTINGS	RAIN TIGHT INSULATED COMPRESSION CONNECTOR	THREE	21
CCI-100S1	EMT FITTINGS	INSULATED COMPRESSION CONNECTOR	THREE	20
CCI-125RTS1	EMT FITTINGS	RAIN TIGHT INSULATED COMPRESSION CONNECTOR	THREE	21
CCI-125S1	EMT FITTINGS	INSULATED COMPRESSION CONNECTOR	THREE	20
CCI-150RTS1	EMT FITTINGS	RAIN TIGHT INSULATED COMPRESSION CONNECTOR	THREE	21
CCI-150S1	EMT FITTINGS	INSULATED COMPRESSION CONNECTOR	THREE	20
CCI-200RTS1	EMT FITTINGS	RAIN TIGHT INSULATED COMPRESSION CONNECTOR	THREE	21
CCI-200S1	EMT FITTINGS	INSULATED COMPRESSION CONNECTOR	THREE	20
CCI-250RTS1	EMT FITTINGS	RAIN TIGHT INSULATED COMPRESSION CONNECTOR	THREE	21
CCI-250S1	EMT FITTINGS	INSULATED COMPRESSION CONNECTOR	THREE	20
CCI-300RTS1	EMT FITTINGS	RAIN TIGHT INSULATED COMPRESSION CONNECTOR	THREE	21
CCI-300S1	EMT FITTINGS	INSULATED COMPRESSION CONNECTOR	THREE	20
CCI-400RTS1	EMT FITTINGS	RAIN TIGHT INSULATED COMPRESSION CONNECTOR	THREE	21
CCI-400S1	EMT FITTINGS	INSULATED COMPRESSION CONNECTOR	THREE	20
CCI-50RTS1	EMT FITTINGS	RAIN TIGHT INSULATED COMPRESSION CONNECTOR	THREE	21
CCI-50S1	EMT FITTINGS	INSULATED COMPRESSION CONNECTOR	THREE	20
CCI-75RTS1	EMT FITTINGS	RAIN TIGHT INSULATED COMPRESSION CONNECTOR	THREE	21
CCI-75S1	EMT FITTINGS	INSULATED COMPRESSION CONNECTOR	THREE	20
CK-100RTS1	EMT FITTINGS	RAIN TIGHT COMPRESSION COUPLING	THREE	19
CK-100S1	EMT FITTINGS	COMPRESSION COUPLING	THREE	19
CK-125RTS1	EMT FITTINGS	RAIN TIGHT COMPRESSION COUPLING	THREE	19
CK-125S1	EMT FITTINGS	COMPRESSION COUPLING	THREE	19
CK-150RTS1	EMT FITTINGS	RAIN TIGHT COMPRESSION COUPLING	THREE	19
CK-150S1	EMT FITTINGS	COMPRESSION COUPLING	THREE	19
CK-200RTS1	EMT FITTINGS	RAIN TIGHT COMPRESSION COUPLING	THREE	19
CK-200S1	EMT FITTINGS	COMPRESSION COUPLING	THREE	19
CK-250RTS1	EMT FITTINGS	RAIN TIGHT COMPRESSION COUPLING	THREE	19
CK-250S1	EMT FITTINGS	COMPRESSION COUPLING	THREE	19
CK-300RTS1	EMT FITTINGS	RAIN TIGHT COMPRESSION COUPLING	THREE	19
CK-300S1	EMT FITTINGS	COMPRESSION COUPLING	THREE	19

# INDEX

PART#	SECTION NAME	PRODUCT DESCRIPTION	SECTION	PAGE
CK-350RTS1	EMT FITTINGS	RAIN TIGHT COMPRESSION COUPLING	THREE	19
CK-400RTS1	EMT FITTINGS	RAIN TIGHT COMPRESSION COUPLING	THREE	19
CK-400S1	EMT FITTINGS	COMPRESSION COUPLING	THREE	19
CK-50RTS1	EMT FITTINGS	RAIN TIGHT COMPRESSION COUPLING	THREE	19
CK-50S1	EMT FITTINGS	COMPRESSION COUPLING	THREE	19
CK-75RTS1	EMT FITTINGS	RAIN TIGHT COMPRESSION COUPLING	THREE	19
CK-75S1	EMT FITTINGS	COMPRESSION COUPLING	THREE	19
CN-100	RIGID FITTINGS	CHASE NIPPLE	FOUR	27
CN-125	RIGID FITTINGS	CHASE NIPPLE	FOUR	27
CN-150	RIGID FITTINGS	CHASE NIPPLE	FOUR	27
CN-200	RIGID FITTINGS	CHASE NIPPLE	FOUR	27
CN-250	RIGID FITTINGS	CHASE NIPPLE	FOUR	27
CN-300	RIGID FITTINGS	CHASE NIPPLE	FOUR	27
CN-400	RIGID FITTINGS	CHASE NIPPLE	FOUR	27
CN-50	RIGID FITTINGS	CHASE NIPPLE	FOUR	27
CN-75	RIGID FITTINGS	CHASE NIPPLE	FOUR	27
FSB50-3	WEATHERPROOF	WEATHERPROOF OUTLET BOX	ELEVEN	70
FSB75-3	WEATHERPROOF	WEATHERPROOF OUTLET BOX	ELEVEN	70
GB-100	RIGID FITTINGS	GROUNDING BUSHING	FOUR	29
GB-125-14	RIGID FITTINGS	GROUNDING BUSHING	FOUR	29
GB-150-14	RIGID FITTINGS	GROUNDING BUSHING	FOUR	29
GB-200-14	RIGID FITTINGS	GROUNDING BUSHING	FOUR	29
GB-250	RIGID FITTINGS	GROUNDING BUSHING	FOUR	29
GB-300	RIGID FITTINGS	GROUNDING BUSHING	FOUR	29
GB-400	RIGID FITTINGS	GROUNDING BUSHING	FOUR	29
GB-50	RIGID FITTINGS	GROUNDING BUSHING	FOUR	29
GB-75	RIGID FITTINGS	GROUNDING BUSHING	FOUR	29
GC-50/100	HANGING AND SUPPORT	GROUNDING CLAMP	SEVEN	45
KS-100S	BOXES & COVERS	1" KO SEALS	EIGHT	50
KS-100S	HANGING AND SUPPORT	1" KO SEALS	SEVEN	46
KS-125S	BOXES & COVERS	1 1/4" KO SEALS	EIGHT	50
KS-125S	HANGING AND SUPPORT	1 1/4" KO SEALS	SEVEN	46
KS-150S	BOXES & COVERS	1 1/2" KO SEALS	EIGHT	50
KS-150S	HANGING AND SUPPORT	1 1/2" KO SEALS	SEVEN	46
KS-200S	BOXES & COVERS	2" KO SEALS	EIGHT	50
KS-200S	HANGING AND SUPPORT	2" KO SEALS	SEVEN	46
KS-50S	BOXES & COVERS	1/2" KO SEALS	EIGHT	50
KS-50S	HANGING AND SUPPORT	1/2" KO SEALS	SEVEN	46
KS-75S	BOXES & COVERS	3/4" KO SEALS	EIGHT	50
KS-75S	HANGING AND SUPPORT	3/4" KO SEALS	SEVEN	46
LB-100SC	CONDUIT BODIES	THREADED LB TYPE WITH GASKET & COVER	FIVE	35
LB-125SC	CONDUIT BODIES	THREADED LB TYPE WITH GASKET & COVER	FIVE	35
LB-150SC	CONDUIT BODIES	THREADED LB TYPE WITH GASKET & COVER	FIVE	35
LB-200SC	CONDUIT BODIES	THREADED LB TYPE WITH GASKET & COVER	FIVE	35
LB-250SC	CONDUIT BODIES	THREADED LB TYPE WITH GASKET & COVER	FIVE	35
LB-300SC	CONDUIT BODIES	THREADED LB TYPE WITH GASKET & COVER	FIVE	35
LB-350SC	CONDUIT BODIES	THREADED LB TYPE WITH GASKET & COVER	FIVE	35
LB-400SC	CONDUIT BODIES	THREADED LB TYPE WITH GASKET & COVER	FIVE	35
LB-50SC	CONDUIT BODIES	THREADED LB TYPE WITH GASKET & COVER	FIVE	35
LB-75SC	CONDUIT BODIES	THREADED LB TYPE WITH GASKET & COVER	FIVE	35
LBC-100SC	CONDUIT BODIES	COMBINATION LB TYPE WITH GASKET & COVER	FIVE	36
LBC-125SC	CONDUIT BODIES	COMBINATION LB TYPE WITH GASKET & COVER	FIVE	36
LBC-150SC	CONDUIT BODIES	COMBINATION LB TYPE WITH GASKET & COVER	FIVE	36
LBC-200SC	CONDUIT BODIES	COMBINATION LB TYPE WITH GASKET & COVER	FIVE	36
LBC-50SC	CONDUIT BODIES	COMBINATION LB TYPE WITH GASKET & COVER	FIVE	36
LBC-75SC	CONDUIT BODIES	COMBINATION LB TYPE WITH GASKET & COVER	FIVE	36
LBE-200SC	CONDUIT BODIES	SETSCREW LB TYPE WITH GASKET & COVER	FIVE	35
LBE-250SC	CONDUIT BODIES	SETSCREW LB TYPE WITH GASKET & COVER	FIVE	35
LBE-300SC	CONDUIT BODIES	SETSCREW LB TYPE WITH GASKET & COVER	FIVE	35
LBE-350SC	CONDUIT BODIES	SETSCREW LB TYPE WITH GASKET & COVER	FIVE	35
LBE-400SC	CONDUIT BODIES	SETSCREW LB TYPE WITH GASKET & COVER	FIVE	35

# INDEX

PART#	SECTION NAME	PRODUCT DESCRIPTION	SECTION	PAGE
LN-100S	RIGID FITTINGS	LOCKNUT, STEEL 1"	FOUR	33
LN-125S	RIGID FITTINGS	LOCKNUT, STEEL 1-1/4"	FOUR	33
LN-150S	RIGID FITTINGS	LOCKNUT, STEEL 1-1/2"	FOUR	33
LN-200S	RIGID FITTINGS	LOCKNUT, STEEL 2"	FOUR	33
LN-250S	RIGID FITTINGS	LOCKNUT, STEEL 2-1/2"	FOUR	33
LN-300S	RIGID FITTINGS	LOCKNUT, STEEL 3"	FOUR	33
LN-350S	RIGID FITTINGS	LOCKNUT, STEEL 3-1/2"	FOUR	33
LN-400S	RIGID FITTINGS	LOCKNUT, STEEL 4"	FOUR	33
LN-50S	RIGID FITTINGS	LOCKNUT, STEEL 1/2"	FOUR	33
LN-75S	RIGID FITTINGS	LOCKNUT, STEEL 3/4"	FOUR	33
LT-100	LIQUIDTIGHT FITTINGS	ZINC DIE CAST LIQUIDTIGHT CONNECTOR	SIX	40
LT-125	LIQUIDTIGHT FITTINGS	ZINC DIE CAST LIQUIDTIGHT CONNECTOR	SIX	40
LT-150	LIQUIDTIGHT FITTINGS	ZINC DIE CAST LIQUIDTIGHT CONNECTOR	SIX	40
LT-200	LIQUIDTIGHT FITTINGS	ZINC DIE CAST LIQUIDTIGHT CONNECTOR	SIX	40
LT-250	LIQUIDTIGHT FITTINGS	ZINC DIE CAST LIQUIDTIGHT CONNECTOR	SIX	40
LT-300	LIQUIDTIGHT FITTINGS	ZINC DIE CAST LIQUIDTIGHT CONNECTOR	SIX	40
LT-38	LIQUIDTIGHT FITTINGS	ZINC DIE CAST LIQUIDTIGHT CONNECTOR	SIX	40
LT-400	LIQUIDTIGHT FITTINGS	ZINC DIE CAST LIQUIDTIGHT CONNECTOR	SIX	40
LT-50	LIQUIDTIGHT FITTINGS	ZINC DIE CAST LIQUIDTIGHT CONNECTOR	SIX	40
LT-75	LIQUIDTIGHT FITTINGS	ZINC DIE CAST LIQUIDTIGHT CONNECTOR	SIX	40
LT90-100	LIQUIDTIGHT FITTINGS	90° ZINC DIE CAST LIQUIDTIGHT CONNECTOR	SIX	40
LT90-125	LIQUIDTIGHT FITTINGS	90° ZINC DIE CAST LIQUIDTIGHT CONNECTOR	SIX	40
LT90-150	LIQUIDTIGHT FITTINGS	90° ZINC DIE CAST LIQUIDTIGHT CONNECTOR	SIX	40
LT90-200	LIQUIDTIGHT FITTINGS	90° ZINC DIE CAST LIQUIDTIGHT CONNECTOR	SIX	40
LT90-250	LIQUIDTIGHT FITTINGS	90° ZINC DIE CAST LIQUIDTIGHT CONNECTOR	SIX	40
LT90-300	LIQUIDTIGHT FITTINGS	90° ZINC DIE CAST LIQUIDTIGHT CONNECTOR	SIX	40
LT90-38	LIQUIDTIGHT FITTINGS	90° ZINC DIE CAST LIQUIDTIGHT CONNECTOR	SIX	40
LT90-400	LIQUIDTIGHT FITTINGS	90° ZINC DIE CAST LIQUIDTIGHT CONNECTOR	SIX	40
LT90-50	LIQUIDTIGHT FITTINGS	90° ZINC DIE CAST LIQUIDTIGHT CONNECTOR	SIX	40
LT90-75	LIQUIDTIGHT FITTINGS	90° ZINC DIE CAST LIQUIDTIGHT CONNECTOR	SIX	40
LTI-100M	LIQUIDTIGHT FITTINGS	MALLEABLE IRON STRAIGHT CONNECTOR-INSULATED	SIX	41
LTI-125M	LIQUIDTIGHT FITTINGS	MALLEABLE IRON STRAIGHT CONNECTOR-INSULATED	SIX	41
LTI-150M	LIQUIDTIGHT FITTINGS	MALLEABLE IRON STRAIGHT CONNECTOR-INSULATED	SIX	41
LTI-200M	LIQUIDTIGHT FITTINGS	MALLEABLE IRON STRAIGHT CONNECTOR-INSULATED	SIX	41
LTI-250M	LIQUIDTIGHT FITTINGS	MALLEABLE IRON STRAIGHT CONNECTOR-INSULATED	SIX	41
LTI-300M	LIQUIDTIGHT FITTINGS	MALLEABLE IRON STRAIGHT CONNECTOR-INSULATED	SIX	41
LTI-350M	LIQUIDTIGHT FITTINGS	MALLEABLE IRON STRAIGHT CONNECTOR-INSULATED	SIX	41
LTI-400M	LIQUIDTIGHT FITTINGS	MALLEABLE IRON STRAIGHT CONNECTOR-INSULATED	SIX	41
LT190-100M	LIQUIDTIGHT FITTINGS	90° MALLEABLE IRON STRAIGHT CONNECTOR-INSULATED	SIX	41
LT190-125M	LIQUIDTIGHT FITTINGS	90° MALLEABLE IRON STRAIGHT CONNECTOR-INSULATED	SIX	41
LT190-150M	LIQUIDTIGHT FITTINGS	90° MALLEABLE IRON STRAIGHT CONNECTOR-INSULATED	SIX	41
LT190-200M	LIQUIDTIGHT FITTINGS	90° MALLEABLE IRON STRAIGHT CONNECTOR-INSULATED	SIX	41
LT190-250M	LIQUIDTIGHT FITTINGS	90° MALLEABLE IRON STRAIGHT CONNECTOR-INSULATED	SIX	41
LT190-300M	LIQUIDTIGHT FITTINGS	90° MALLEABLE IRON STRAIGHT CONNECTOR-INSULATED	SIX	41
LT190-350M	LIQUIDTIGHT FITTINGS	90° MALLEABLE IRON STRAIGHT CONNECTOR-INSULATED	SIX	41
LT190-400M	LIQUIDTIGHT FITTINGS	90° MALLEABLE IRON STRAIGHT CONNECTOR-INSULATED	SIX	41
MBD-1K	BOXES & COVERS	3 1/2" MASONRY BOX	EIGHT	59
MBD-2K	BOXES & COVERS	3 1/2" MASONRY BOX	EIGHT	59
MBD-3K	BOXES & COVERS	3 1/2" MASONRY BOX	EIGHT	59
MBD-4K	BOXES & COVERS	3 1/2" MASONRY BOX	EIGHT	59
MBS-1K	BOXES & COVERS	2 1/2" MASONRY BOX	EIGHT	59
MC-DX-38	BX, FLEX & MC FITTINGS	3/8" BX DUPLEX CONN	NINE	65
MC-SAD-38S	BX, FLEX & MC FITTINGS	3/8" BX SADDLE TYPE (L16) CONNECTOR	NINE	65
MNC-38	NM CABLE FITTINGS	3/8" NM/BX 2-SCREW STRAP TYPE CABLE CONNECTOR	TEN	67
NC-38	NM CABLE FITTINGS	3/8" NM 2-SCREW CABLE CLAMP CONNECTOR	TEN	67
NMLT-1038	LIQUIDTIGHT FITTINGS	3/8" STRAIGHT NM LIQUIDTIGHT CONNECTOR	SIX	39
NMLT-1050	LIQUIDTIGHT FITTINGS	1/2" STRAIGHT NM LIQUIDTIGHT CONNECTOR	SIX	39
NMLT-1075	LIQUIDTIGHT FITTINGS	3/4" STRAIGHT NM LIQUIDTIGHT CONNECTOR	SIX	39
NMLT-1100	LIQUIDTIGHT FITTINGS	1" STRAIGHT NM LIQUIDTIGHT CONNECTOR	SIX	39
NMLT-1125	LIQUIDTIGHT FITTINGS	1-1/4" STRAIGHT NM LIQUIDTIGHT CONNECTOR	SIX	39
NMLT-1150	LIQUIDTIGHT FITTINGS	1-1/2" STRAIGHT NM LIQUIDTIGHT CONNECTOR	SIX	39

# INDEX

PART#	SECTION NAME	PRODUCT DESCRIPTION	SECTION	PAGE
NMLT-1200	LIQUIDTIGHT FITTINGS	2" STRAIGHT NM LIQUIDTIGHT CONNECTOR	SIX	39
NMLT-9038	LIQUIDTIGHT FITTINGS	3/8" 90 DEGREE NM LIQUIDTIGHT CONNECTOR	SIX	39
NMLT-9050	LIQUIDTIGHT FITTINGS	1/2" 90 DEGREE NM LIQUIDTIGHT CONNECTOR	SIX	39
NMLT-9075	LIQUIDTIGHT FITTINGS	3/4" 90 DEGREE NM LIQUIDTIGHT CONNECTOR	SIX	39
NMLT-9100	LIQUIDTIGHT FITTINGS	1" 90 DEGREE NM LIQUIDTIGHT CONNECTOR	SIX	39
NMLT-9125	LIQUIDTIGHT FITTINGS	1-1/4" 90 DEGREE NM LIQUIDTIGHT CONNECTOR	SIX	39
NMLT-9150	LIQUIDTIGHT FITTINGS	1-1/2" 90 DEGREE NM LIQUIDTIGHT CONNECTOR	SIX	39
NMLT-9200	LIQUIDTIGHT FITTINGS	2" 90 DEGREE NM LIQUIDTIGHT CONNECTOR	SIX	39
OBEX	BOXES & COVERS	1/2" DEEP OCTAGON BOX EXTENSION	EIGHT	58
OES-100S	EMT FITTINGS	1" ONE HOLE EMT CONDUIT CLAMP	THREE	24
OES-125S	EMT FITTINGS	1-1/4" ONE HOLE EMT CONDUIT CLAMP	THREE	24
OES-150S	EMT FITTINGS	1-1/2" ONE HOLE EMT CONDUIT CLAMP	THREE	24
OES-200S	EMT FITTINGS	2" ONE HOLE EMT CONDUIT CLAMP	THREE	24
OES-50S	EMT FITTINGS	1/2" ONE HOLE EMT CONDUIT CLAMP	THREE	24
OES-75S	EMT FITTINGS	3/4" ONE HOLE EMT CONDUIT CLAMP	THREE	24
OHS-1S	BX, FLEX & MC FITTINGS	ONE HOLE STRAP	TEN	68
ON-100	RIGID FITTINGS	RIGID OFFSET NIPPLE	FOUR	30
ON-125	RIGID FITTINGS	RIGID OFFSET NIPPLE	FOUR	30
ON-150	RIGID FITTINGS	RIGID OFFSET NIPPLE	FOUR	30
ON-200	RIGID FITTINGS	RIGID OFFSET NIPPLE	FOUR	30
ON-50	RIGID FITTINGS	RIGID OFFSET NIPPLE	FOUR	30
ON-75	RIGID FITTINGS	RIGID OFFSET NIPPLE	FOUR	30
ORS-100S	RIGID FITTINGS	RIGID ONE HOLE STRAP	FOUR	34
ORS-250S	RIGID FITTINGS	RIGID ONE HOLE STRAP	FOUR	34
ORS-300S	RIGID FITTINGS	RIGID ONE HOLE STRAP	FOUR	34
ORS-400S	RIGID FITTINGS	RIGID ONE HOLE STRAP	FOUR	34
P-4000	BOXES & COVERS	4" LED MOUNTING PLATE WITH LIP	EIGHT	52
PB01R	BOXES & COVERS	NM ONE GANG PLASTIC BOXES	EIGHT	60
PB01VB	BOXES & COVERS	NM TWO GANG GRAY PLASTIC VB BOXES	EIGHT	60
PB02R	BOXES & COVERS	NM TWO GANG GRAY PLASTIC BOXES	EIGHT	60
PB02VB	BOXES AND COVERS	NM TWO GANG GRAY PLASTIC VB BOXES	EIGHT	60
PB03R	BOXES AND COVERS	NM THREE GANG GRAY PLASTIC BOXES	EIGHT	60
PB03VB	BOXES AND COVERS	NM THREE GANG GRAY PLASTIC VB BOXES	EIGHT	60
PB04R	BOXES AND COVERS	NM FOUR GANG GRAY PLASTIC BOXES	EIGHT	60
PB04VB	BOXES AND COVERS	NM FOUR GANG GRAY PLASTIC VB BOXES	EIGHT	60
PB05R	BOXES AND COVERS	NM OCTAGON GRAY PLASTIC BOXES	EIGHT	60
PB05VB	BOXES AND COVERS	NM OCTAGON GRAY PLASTIC VB BOXES	EIGHT	60
PB06VB	BOXES AND COVERS	NM DRY GRAY PLASTIC VB BOXES	EIGHT	60
PBC-50NM	NM CABLE FITTINGS	SNAP-IN TYPE CONNECTOR	TEN	68
PBC-75NM	NM CABLE FITTINGS	SNAP-IN TYPE CONNECTOR	TEN	68
PE-100	EMT FITTINGS	COMBINATION PULL ELBOWS	THREE	25
PE-125	EMT FITTINGS	COMBINATION PULL ELBOWS	THREE	25
PE-50	EMT FITTINGS	COMBINATION PULL ELBOWS	THREE	25
PE-75	EMT FITTINGS	COMBINATION PULL ELBOWS	THREE	25
PEB-100	EMT FITTINGS	COMBINATION SETSCREW PULL ELBOW CONNECTOR	THREE	25
PEB-125	EMT FITTINGS	COMBINATION SETSCREW PULL ELBOW CONNECTOR	THREE	25
PEB-50	EMT FITTINGS	COMBINATION SETSCREW PULL ELBOW CONNECTOR	THREE	25
PEB-75	EMT FITTINGS	COMBINATION SETSCREW PULL ELBOW CONNECTOR	THREE	25
PH-100CB	HANGING & SUPPORT	CONDUIT HANGER WITH CARRIAGE BOLT	SEVEN	43
PH-105CB	HANGING & SUPPORT	CONDUIT HANGER WITH CARRIAGE BOLT	SEVEN	43
PH-125CB	HANGING & SUPPORT	CONDUIT HANGER WITH CARRIAGE BOLT	SEVEN	43
PH-150CB	HANGING & SUPPORT	CONDUIT HANGER WITH CARRIAGE BOLT	SEVEN	43
PH-200CB	HANGING & SUPPORT	CONDUIT HANGER WITH CARRIAGE BOLT	SEVEN	43
PH-250CB	HANGING & SUPPORT	CONDUIT HANGER WITH CARRIAGE BOLT	SEVEN	43
PH-300CB	HANGING & SUPPORT	CONDUIT HANGER WITH CARRIAGE BOLT	SEVEN	43
PH-350CB	HANGING & SUPPORT	CONDUIT HANGER WITH CARRIAGE BOLT	SEVEN	43
PH-400CB	HANGING & SUPPORT	CONDUIT HANGER WITH CARRIAGE BOLT	SEVEN	43
PH-50CB	HANGING & SUPPORT	CONDUIT HANGER WITH CARRIAGE BOLT	SEVEN	43
PH-75CB	HANGING & SUPPORT	CONDUIT HANGER WITH CARRIAGE BOLT	SEVEN	43
PS-100NS	HANGING & SUPPORT	1" UNIVERSAL CONDUIT CLAMP	SEVEN	44
PS-125NS	HANGING & SUPPORT	1-1/4" UNIVERSAL CONDUIT CLAMP	SEVEN	44

# INDEX

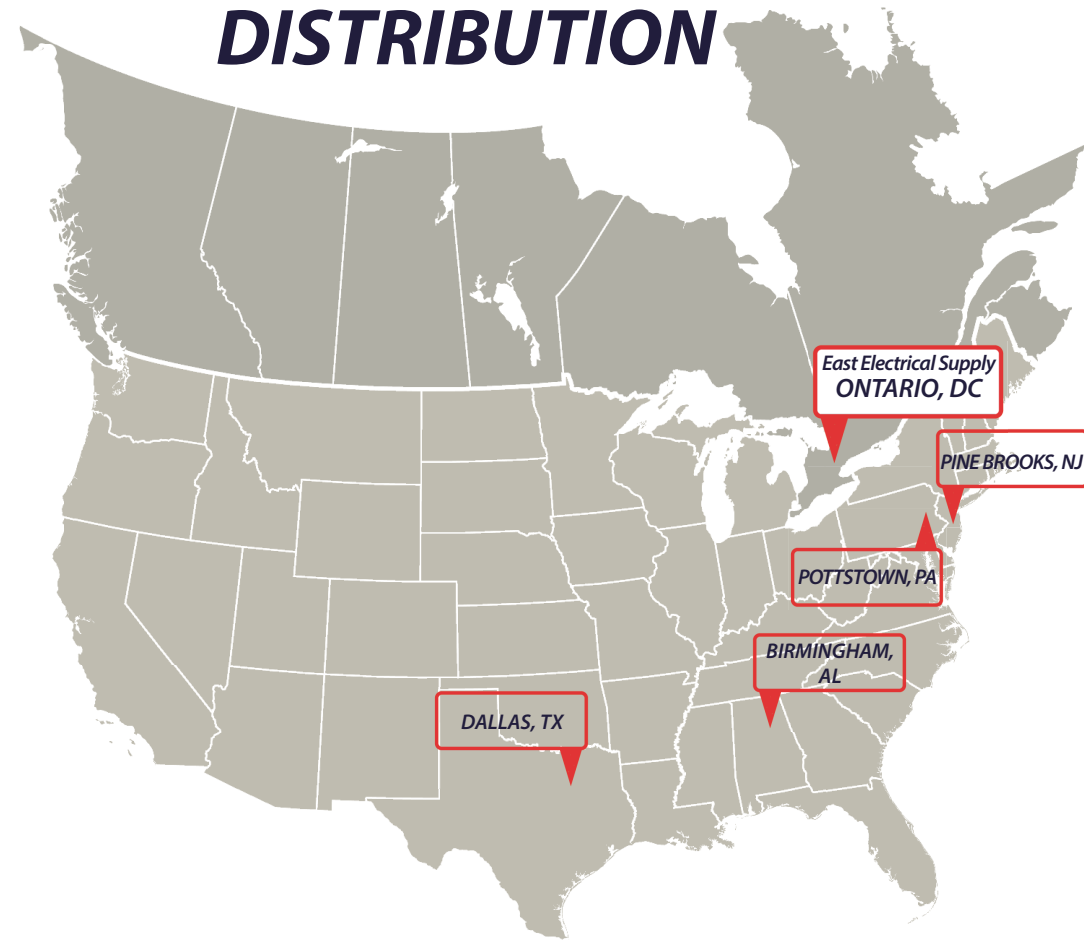
PART#	SECTION NAME	PRODUCT DESCRIPTION	SECTION	PAGE
PS-150NS	HANGING & SUPPORT	1-1/2" UNIVERSAL CONDUIT CLAMP	SEVEN	44
PS-200NS	HANGING & SUPPORT	2" UNIVERSAL CONDUIT CLAMP	SEVEN	44
PS-250NS	HANGING & SUPPORT	2-1/2" UNIVERSAL CONDUIT CLAMP	SEVEN	44
PS-300NS	HANGING & SUPPORT	3" UNIVERSAL CONDUIT CLAMP	SEVEN	44
PS-400NS	HANGING & SUPPORT	4" UNIVERSAL CONDUIT CLAMP	SEVEN	44
PS-50NS	HANGING & SUPPORT	1/2" UNIVERSAL CONDUIT CLAMP	SEVEN	44
PS-75NS	HANGING & SUPPORT	3/4" UNIVERSAL CONDUIT CLAMP	SEVEN	44
R3K-100M	RIGID FITTINGS	1" MALLEABLE IRON, THREE PIECE COUPLINGS	FOUR	27
R3K-125M	RIGID FITTINGS	1-1/4" MALLEABLE IRON, THREE PIECE COUPLINGS	FOUR	27
R3K-150M	RIGID FITTINGS	1-1/2" MALLEABLE IRON, THREE PIECE COUPLINGS	FOUR	27
R3K-200M	RIGID FITTINGS	2" MALLEABLE IRON, THREE PIECE COUPLINGS	FOUR	27
R3K-250M	RIGID FITTINGS	2-1/2" MALLEABLE IRON, THREE PIECE COUPLINGS	FOUR	27
R3K-300M	RIGID FITTINGS	3" MALLEABLE IRON, THREE PIECE COUPLINGS	FOUR	27
R3K-350M	RIGID FITTINGS	3-1/2" MALLEABLE IRON, THREE PIECE COUPLINGS	FOUR	27
R3K-400M	RIGID FITTINGS	4" MALLEABLE IRON, THREE PIECE COUPLINGS	FOUR	27
R3K-50M	RIGID FITTINGS	1/2" MALLEABLE IRON, THREE PIECE COUPLINGS	FOUR	27
R3K-75M	RIGID FITTINGS	3/4" MALLEABLE IRON, THREE PIECE COUPLINGS	FOUR	27
RB-400200M	RIGID FITTINGS	REDUCING BUSHINGS, STEEL 4"-2"	FOUR	28
RB-400300M	RIGID FITTINGS	REDUCING BUSHINGS, STEEL 4"-3"	FOUR	28
RB-7	WEATHERPROOF	4" ROUND WP OUTLET BOX - COVER & GASKET	ELEVEN	70
RW100-50	RIGID FITTINGS	1"X1/2" REDUCING WASHER	FOUR	33
RW100-75	RIGID FITTINGS	1"X3/4" REDUCING WASHER	FOUR	33
RW125-100	RIGID FITTINGS	1-1/4"X1" REDUCING WASHER	FOUR	33
RW125-50	RIGID FITTINGS	1-1/4X1/2" REDUCING WASHER	FOUR	33
RW125-75	RIGID FITTINGS	1-1/4X3/4" REDUCING WASHER	FOUR	33
RW150-100	RIGID FITTINGS	1-1/2"X1" REDUCING WASHER	FOUR	33
RW150-125	RIGID FITTINGS	1-1/2"X1-1/4" REDUCING WASHER	FOUR	33
RW150-50	RIGID FITTINGS	1-1/2X1/2" REDUCING WASHER	FOUR	33
RW150-75	RIGID FITTINGS	1-1/2X3/4" REDUCING WASHER	FOUR	33
RW200-100	RIGID FITTINGS	2" X 1" REDUCING WASHER	FOUR	33
RW200-125	RIGID FITTINGS	2" X 1-1/4" REDUCING WASHER	FOUR	33
RW200-150	RIGID FITTINGS	2" X1-1/2" REDUCING WASHER	FOUR	33
RW200-50	RIGID FITTINGS	2"X1/2" REDUCING WASHER	FOUR	33
RW200-75	RIGID FITTINGS	2"X3/4" REDUCING WASHER	FOUR	33
RW75-50	RIGID FITTINGS	3/4"X1/2" REDUCING WASHER	FOUR	33
S1	BOXES & COVERS	CABLE STAPLES	EIGHT	52
S2	BOXES & COVERS	CABLE STAPLES	EIGHT	52
S3	BOXES & COVERS	CABLE STAPLES	EIGHT	52
S4	BOXES & COVERS	CABLE STAPLES	EIGHT	52
SC-100S1	EMT FITTINGS	1" EMT SETSCREW CONNECTOR	THREE	22
SC-125S1	EMT FITTINGS	1-1/4" EMT SETSCREW CONNECTOR	THREE	22
SC-150S1	EMT FITTINGS	1-1/2" EMT SETSCREW CONNECTOR	THREE	22
SC-200S1	EMT FITTINGS	2" EMT SETSCREW CONNECTOR	THREE	22
SC-250S1	EMT FITTINGS	2-1/2" EMT SETSCREW CONNECTOR	THREE	22
SC-300S1	EMT FITTINGS	3" EMT SETSCREW CONNECTOR	THREE	22
SC-400S1	EMT FITTINGS	4" EMT SETSCREW CONNECTOR	THREE	22
SC-50S1	EMT FITTINGS	1/2" EMT SETSCREW CONNECTOR	THREE	22
SC-75S1	EMT FITTINGS	3/4" EMT SETSCREW CONNECTOR	THREE	22
SCI-100S1	EMT FITTINGS	1" INSULATED EMT SETSCREW CONNECTOR	THREE	23
SCI-125S1	EMT FITTINGS	1-1/4" INSULATED EMT SETSCREW CONNECTOR	THREE	23
SCI-150S1	EMT FITTINGS	1-1/2" INSULATED EMT SETSCREW CONNECTOR	THREE	23
SCI-200S1	EMT FITTINGS	2" INSULATED EMT SETSCREW CONNECTOR	THREE	23
SCI-250S1	EMT FITTINGS	2-1/2" INSULATED EMT SETSCREW CONNECTOR	THREE	23
SCI-300S1	EMT FITTINGS	3" INSULATED EMT SETSCREW CONNECTOR	THREE	23
SCI-350S1	EMT FITTINGS	3-1/2" INSULATED EMT SETSCREW CONNECTOR	THREE	23
SCI-400S1	EMT FITTINGS	4" INSULATED EMT SETSCREW CONNECTOR	THREE	23
SCI-50S1	EMT FITTINGS	1/2" INSULATED EMT SETSCREW CONNECTOR	THREE	23
SCI-75S1	EMT FITTINGS	3/4" INSULATED EMT SETSCREW CONNECTOR	THREE	23
SCR-50/75	BOXES & COVERS	4" SWIVEL COVER, ROUND	EIGHT	52
SCS-50/75	BOXES & COVERS	4" SWIVEL COVER, SQUARE	EIGHT	52
SK-100S1	EMT FITTINGS	1" EMT SETSCREW COUPLING	THREE	22

# INDEX

PART#	SECTION NAME	PRODUCT DESCRIPTION	SECTION	PAGE
SK-125S1	EMT FITTINGS	1-1/4" EMT SETSCREW COUPLING	THREE	22
SK-150S1	EMT FITTINGS	1-1/2" EMT SETSCREW COUPLING	THREE	22
SK-200S1	EMT FITTINGS	2" EMT SETSCREW COUPLING	THREE	22
SK-250S1	EMT FITTINGS	2-1/2" EMT SETSCREW COUPLING	THREE	22
SK-300S1	EMT FITTINGS	3" EMT SETSCREW COUPLING	THREE	22
SK-400S1	EMT FITTINGS	4" EMT SETSCREW COUPLING	THREE	22
SK-50S1	EMT FITTINGS	1/2" EMT SETSCREW COUPLING	THREE	22
SK-75S1	EMT FITTINGS	3/4" EMT SETSCREW COUPLING	THREE	22
SKFC-100	BX, FLEX & MC FITTINGS	1" COMBINATION EMT/FMC COUPLING	NINE	61
SKFC-38	BX, FLEX & MC FITTINGS	3/8" COMBINATION EMT/FMC COUPLING	NINE	61
SKFC-50	BX, FLEX & MC FITTINGS	1/2" COMBINATION EMT/FMC COUPLING	NINE	61
SKFC-75	BX, FLEX & MC FITTINGS	3/4" COMBINATION EMT/FMC COUPLING	NINE	61
SQ-100	BX, FLEX & MC FITTINGS	1" FLEX SQUEEZE TYPE CONNECTOR	NINE	61
SQ-125	BX, FLEX & MC FITTINGS	1-1/4" FLEX SQUEEZE TYPE CONNECTOR	NINE	63
SQ-150	BX, FLEX & MC FITTINGS	1-1/2" FLEX SQUEEZE TYPE CONNECTOR	NINE	63
SQ-200	BX, FLEX & MC FITTINGS	2" FLEX SQUEEZE TYPE CONNECTOR	NINE	63
SQ-250	BX, FLEX & MC FITTINGS	2-1/2" FLEX SQUEEZE TYPE CONNECTOR	NINE	63
SQ-300	BX, FLEX & MC FITTINGS	3" FLEX SQUEEZE TYPE CONNECTOR	NINE	63
SQ-400	BX, FLEX & MC FITTINGS	4" FLEX SQUEEZE TYPE CONNECTOR	NINE	63
SQ-50	BX, FLEX & MC FITTINGS	1/2" FLEX SQUEEZE TYPE CONNECTOR	NINE	63
SQ-75	BX, FLEX & MC FITTINGS	3/4" FLEX SQUEEZE TYPE CONNECTOR	NINE	63
SQ90-100	BX, FLEX & MC FITTINGS	1" 90° FLEX SQUEEZE TYPE CONNECTOR	NINE	62
SQ90-125	BX, FLEX & MC FITTINGS	1-1/4" 90° FLEX SQUEEZE TYPE CONNECTOR	NINE	62
SQ90-150	BX, FLEX & MC FITTINGS	1-1/2" 90° FLEX SQUEEZE TYPE CONNECTOR	NINE	62
SQ90-200	BX, FLEX & MC FITTINGS	2" 90° FLEX SQUEEZE TYPE CONNECTOR	NINE	62
SQ90-250	BX, FLEX & MC FITTINGS	2 1/2" 90° FLEX SQUEEZE TYPE CONNECTOR	NINE	62
SQ90-250M	BX, FLEX & MC FITTINGS	2 1/2" 90° FLEX SQUEEZE TYPE CONNECTOR	NINE	62
SQ90-300	BX, FLEX & MC FITTINGS	3" 90° FLEX SQUEEZE TYPE CONNECTOR	NINE	62
SQ90-300M	BX, FLEX & MC FITTINGS	3" 90° FLEX SQUEEZE TYPE CONNECTOR	NINE	62
SQ90-350	BX, FLEX & MC FITTINGS	3 1/2" 90° FLEX SQUEEZE TYPE CONNECTOR	NINE	62
SQ90-400	BX, FLEX & MC FITTINGS	4" 90° FLEX SQUEEZE TYPE CONNECTOR	NINE	62
SQ90-400M	BX, FLEX & MC FITTINGS	4" 90° FLEX SQUEEZE TYPE CONNECTOR	NINE	62
SQ90-38	BX, FLEX & MC FITTINGS	3/8" 90° FLEX SQUEEZE TYPE CONNECTOR	NINE	62
SQ90-50	BX, FLEX & MC FITTINGS	1/2" 90° FLEX SQUEEZE TYPE CONNECTOR	NINE	62
SQ90-75	BX, FLEX & MC FITTINGS	3/4" 90° FLEX SQUEEZE TYPE CONNECTOR	NINE	62
SR-100	LIQUIDTIGHT FITTINGS	1" SEALING RING	SIX	42
SR-125	LIQUIDTIGHT FITTINGS	1-1/4" SEALING RING	SIX	42
SR-150	LIQUIDTIGHT FITTINGS	1-1/2" SEALING RING	SIX	42
SR-200	LIQUIDTIGHT FITTINGS	2" SEALING RING	SIX	42
SR-250	LIQUIDTIGHT FITTINGS	2 1/2" SEALING RING	SIX	42
SR-300	LIQUIDTIGHT FITTINGS	3" SEALING RING	SIX	42
SR-350	LIQUIDTIGHT FITTINGS	3 1/2" SEALING RING	SIX	42
SR-400	LIQUIDTIGHT FITTINGS	4" SEALING RING	SIX	42
SR-50	LIQUIDTIGHT FITTINGS	1/2" SEALING RING	SIX	42
SR-75	LIQUIDTIGHT FITTINGS	3/4" SEALING RING	SIX	42
T-100SC	CONDUIT BODIES	1" THREADED T TYPE WITH COVER & GASKET	FIVE	38
T-125SC	CONDUIT BODIES	1-1/4" THREADED T TYPE WITH COVER & GASKET	FIVE	38
T-150SC	CONDUIT BODIES	1-1/2" THREADED T TYPE WITH COVER & GASKET	FIVE	38
T-200SC	CONDUIT BODIES	2" THREADED T TYPE WITH COVER & GASKET	FIVE	38
T-250SC	CONDUIT BODIES	2 1/2" THREADED T TYPE WITH COVER & GASKET	FIVE	38
T-300SC	CONDUIT BODIES	3" THREADED T TYPE WITH COVER & GASKET	FIVE	38
T-350SC	CONDUIT BODIES	3 1/2" THREADED T TYPE WITH COVER & GASKET	FIVE	38
T-400SC	CONDUIT BODIES	4" THREADED T TYPE WITH COVER & GASKET	FIVE	38
T-50SC	CONDUIT BODIES	1/2" THREADED T TYPE WITH COVER & GASKET	FIVE	38
T-75SC	CONDUIT BODIES	3/4" THREADED T TYPE WITH COVER & GASKET	FIVE	38
TC-100SC	CONDUIT BODIES	1" COMBINATION T TYPE WITH COVER & GASKET	FIVE	38
TC-125SC	CONDUIT BODIES	1-1/4" COMBINATION T TYPE WITH COVER & GASKET	FIVE	38
TC-150SC	CONDUIT BODIES	1-1/2" COMBINATION T TYPE WITH COVER & GASKET	FIVE	38
TC-200SC	CONDUIT BODIES	2" COMBINATION T TYPE WITH COVER & GASKET	FIVE	38
TC-50SC	CONDUIT BODIES	1/2" COMBINATION T TYPE WITH COVER & GASKET	FIVE	38
TC-75SC	CONDUIT BODIES	3/4" COMBINATION T TYPE WITH COVER & GASKET	FIVE	38



# **NORTH AMERICAN DISTRIBUTION**



**EAST  
ELECTRICAL  
SUPPLY INC.**

*C-7429 Ninth Line  
Mississauga, ON L5N 7C3*

**1-855-785-8275**

*[www.EastElectricalSupply.com](http://www.EastElectricalSupply.com)*

EES\_52021010dab