



EAST

ELECTRICAL SUPPLY INC

ELECTRICAL FITTINGS & ACCESSORIES

2025 - US EDITION



Table of Contents

Section One

CONDUIT 1-4

EMT - Electrical Metallic Conduit	1
IMC - Intermediate Metallic Conduit	2
RIGID Steel Conduit	3
FLEXIBLE Steel CONDUIT	4
FLEXIBLE Aluminum Conduit	4

Section Two

ELBOWS, NIPPLES & COUPLINGS 5-14

EMT - Elbows	5
90° Elbows	5
45° Elbows	5
30° Elbows	6
22.5° Elbows	6
15° Elbows	7
RIGID Steel Elbows	7
90° Rigid Elbows	7
45° Rigid Elbows	8
30° Elbows	8
22.5° Elbows	9
15° Elbows	9
RIGID Steel Special Radius Elbows	10
2" Special Radius Elbows	10
2 1/2" Special Radius Elbows	10
3" Special Radius Elbows	11
4" Special Radius Elbows	11
RIGID Steel Nipples	12-13
RIGID Steel Close Nipples	13
RIGID Steel Couplings	14

Section Three

EMT FITTINGS 15-22

Compression Type	15
Compression Coupling	15
Rain Tight Compression Coupling	15
Compression Connectors	16
Insulated Compression Connectors	16
Raintight Compression Connector	17
Insulated Raintight Compression Connector	17
Set-Screw Type	18
Set-Screw Couplings	18
Set-Screw Connectors	18
Insulated Set-Screw Connectors	19
EMT Straps	20
Snap-On Type One Hole	20
Snap-On Two Hole	20
Combination Pull Elbows	21
Set-Screw Pull Elbows	21
Set-Screw Pull Elbow/Connector	21
Installation Examples	22

Section Four

RIGID FITTINGS 23-32

Chase Nipples	23
Three-Piece Coupling	23
Reducing Bushings	24
RIGID and IMC - Steel	24
RIGID and IMC - Malleable Iron	24
Grounding Bushings	25

Grounding Bushings - Zinc Die Cast	25
Grounding Bushings - Malleable Iron	25
Insulating Plastic Bushings	26
RIGID Watertight Hubs	26
Compression Connectors	27
Steel	27
Malleable Iron	27
Insulated Compression Connectors	28
Steel	28
Malleable Iron	28
Compression Couplings	29
Steel	29
Malleable Iron	29
RIGID Offset Nipples	30
Steel	30
Malleable Iron	30
Reducing Washers	31
Locknuts	31
RIGID Straps	32
Snap-On One Hole RIGID Straps	32
Snap-On Two Hole RIGID Straps	32

Section Five

CONDUIT BODIES 33-37

LB Type	33
EMT - Set-Screw	33
RIGID - Threaded	33
COMBO - (EMT/RIGID/IMC)	34
C Type	34-35
RIGID - Threaded	34
COMBO - (EMT/RIGID/IMC)	35
LL Type	35-36
RIGID - Threaded	35
COMBO - (EMT/RIGID/IMC)	36
LR Type	36-37
RIGID - Threaded	36
COMBO - (EMT/RIGID/IMC)	37
LLRC Type (COMBO - Left or Right)	37
T Type	38
RIGID - Threaded	38
COMBO - (EMT/RIGID/IMC)	38

Section Six

LIQUIDTIGHT FITTINGS 39-44

Non-Metallic	39
Straight Connectors	39
90° Connectors	39
Metallic Liquidtight Fittings	40
Straight Connector - Zinc Die Cast	40
90° Connector - Zinc Die Cast	40
Straight Connector - Malleable Iron	41
45° Connector - Malleable Iron	41
90° Connector - Malleable Iron	42
Sealing Rings	42
Liquidtight Conduit	43-44
Top-Flex 1 Tubing	43
Metallic Liquidtight Conduit	44

Section Seven

HANGING & SUPPORT 45-48

Conduit Support Brackets	45-46
Pipe Hangers	45
Universal Conduit Clamps	46
Beam Clamps	47
Grounding Clamps	47
Accessories	
Knockout Seals	48
Switch Box Support Brackets (F-Brackets)	48

Section Eight

STEEL BOXES & COVERS 49-66

Gangable Switch Boxes	49-50
3x2" (1 1/2" Deep)	49
3x2" (2" Deep)	49
3x2" (2 1/2" Deep)	49
3x2" (2 3/4" Deep)	50
3x2" (3 1/2" Deep)	50
Multi-Gang Switch Boxes	51
1 5/8" Deep	51
2 1/2" Deep	51
Drawn Boxes	52-58
4x2" Handy Boxes (1 1/2" Deep)	52
4x2" Handy Boxes (1 7/8" Deep)	52
4x2" Handy Boxes (2 1/8" Deep)	53
4x2" Handy Box Extensions & Covers	53
Octagon Boxes	
4" Octagon Boxes 1 1/2" Deep	54
4" Octagon Boxes with Brackets & Supports	54
4" Octagon Drawn Deep Boxes	55
4" Octagon Box Covers	55
Round Pancake Boxes & Covers	56
4" Swivel Covers Round	56
4" Swivel Covers Square	56
Square Boxes	57-61
4 11/16" Square Welded Boxes	57
4 11/16" Box Covers	57
4" Square Drawn Boxes	58
4" Square Drawn Deep Boxes	58
4" Square Welded Boxes	59
4" Square Welded Deep Boxes	59
4" Square Box Covers	60
Switch Box Support Brackets	60
4" Square Box Extensions	61
4" Square Single Gang Device Rings	61
4" Square Double Gang Device Rings	62
4" Square to Round Device Rings	62
4" Industrial Covers	63
Masonry Boxes - Ganged	64
2 1/2" Deep	64
3 1/2" Deep	64
Masonry Boxes - Gangable	65
3 1/2" Deep Gangable	65
Adjustable Device Rings	66
Gang Box Device Rings	66

Section Nine

BX, FLEX, & MC FITTINGS 67-74

FMC FITTINGS	67-68
Combination Coupling - EMT/FMC	67
Squeeze Type Connector	67
Squeeze Type 90° Connector - Zinc Die Cast	68
Squeeze Type 90° Connector - Malleable Iron	68
AC & MC Connectors	69-70

Saddle Type Connectors	69
Strap Type Multi-Purpose Connectors	69
Low-Profile Saddle Type Connectors	70
Steel Connectors	70
Duplex Connectors	71-72
BX Connectors	71
Single Screw BX Connectors	71
Single Screw BX Connectors- Steel	72
BX One Hole Strap	72
Flexible Conduit	73-74
Reduced Wall - Steel	73
Reduced Wall - Aluminum	74

Section Ten

NM CABLE FITTINGS 75-76

Two-Screw NM & SE Connectors	75
Two Screw NM & SEU Connectors	75
Two-Screw Combination	75
PVC Snap-In Connectors	76
Duplex Connector	76
One-Hole Strap	76

Section Eleven

WEATHERPROOF 77-78

AnyCover™	77
Weatherproof Box Covers	78
Single-Gang Weatherproof Box	78
Round Boxes	78

Section Twelve

SERVICE ENTRANCE 79-80

Service Entrance Caps	79
Clamp On Type SEC-62A	79
Clamp On Type CEC	80

EMT - Electrical Metallic Conduit



Features & Benefits:

- **Consistent Quality** – East Electrical EMT Conduit is manufactured for long life, durability and strength, and is suitable for bending. The steel is welded to ensure quality standards are met and exceeded. We do not have any trouble with welds split or wrinkle from severe bending caused by improper raw materials or poor quality control during pipe welding. The product is easy to cut, form and join.
- **Excellent ID smoothness** – During the manufacturing process we remove all ID residual flash and place a protective coating over the galvanizing to providing a much longer life cycle and excellent smoothness. This then ensures more wire capacity, and less friction between wall to wire during pulls.
- **Lower Life-cycle costs** – Our EMT Conduit resists cracking, flaking, peeling, impact, and damage from severe bending. Its physical and mechanical properties ensure that the pipe has an extended life cycle, great for usage or storage without trouble in quality.
- **Protection from Environmental Damage and Mechanical Use** – the thorough inside and outside zinc coating of East Electrical Conduit provides enhanced, second to none corrosion protection.

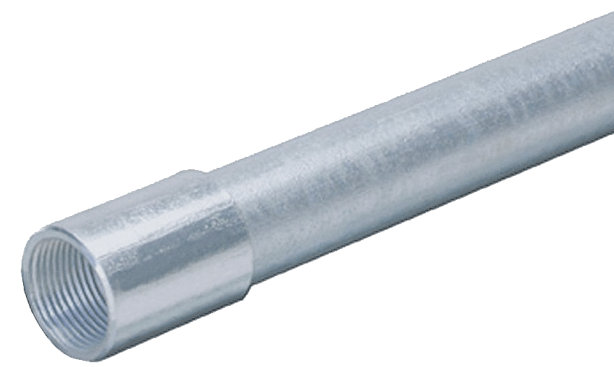
CAT #	TRADE SIZE IN	NOM O.D. IN	WALL THICKNESS IN	BUNDLE QTY FT	WEIGHT /100 FT LBS	PACKAGE INFORMATION		
						LIFT QUANTITY PCS	BD'S	LIFT WT LBS
EMT50	1/2"	0.706	0.042	100	30	70	7000	2083
EMT75	3/4"	0.922	0.049	100	46	50	5000	2282
EMT100	1"	1.163	0.057	100	67	30	3000	2024
EMT125	1 1/4"	1.510	0.065	50	101	40	2000	2011
EMT150	1 1/2"	1.740	0.065	50	116	30	1500	1746
EMT200	2"	2.197	0.065	30	148	40	1200	1777
EMT250	2 1/2"	2.875	0.072		216	61	610	1316
EMT300	3"	3.500	0.072		265	51	510	1349
EMT350	3 1/2"	4.000	0.083		348	37	370	1290
EMT400	4"	4.500	0.083		392	30	300	1177



Certifications:
UL797
ANSI C80.3
Federal Specification WW-C-563



IMC - Intermediate Metallic Conduit



Features & Benefits:

- **Consistent Quality** – East Electrical IMC Conduit is manufactured for long life; durability, and strength, and it is suitable for bending. The conduit is produced to ensure quality standards are strictly met and/or exceed. The product is easy to cut, bend and join on the job.
- **Excellent ID Smoothness** – Our IMC conduit has had any ID flash produced during manufacturing removed and a protective coating is added over the galvanizing to ensure a longer life cycle and excellent ID smoothness.
- **Lower Life-cycle costs** – East Electrical IMC Conduit resists cracking, flaking, peeling, impact, and damage from severe bending. Its physical and mechanical properties ensure that the pipe has an extended life cycle, great for usage or storage without trouble in quality.
- **Protection from Environmental Damage and Mechanical Use** – the thorough inside and outside zinc coating of East Electrical Conduit provides enhanced, second to none corrosion protection.

CAT #	TRADE SIZE IN	NOM O.D. IN	NOM I.D. IN	WALL THICKNESS IN	WEIGHT /100 FT LBS	PACKAGE INFORMATION		
						LIFT QUANTITY PCS	BD'S	LIFT WT LBS
IMC50	1/2"	0.815	0.660	0.078	62	350	35	3500
IMC75	3/4"	1.029	0.869	0.083	84	250	50	2500
IMC100	1"	1.290	1.448	0.093	119	170	34	1700
IMC125	1 1/4"	1.638	1.448	0.095	158	135		1350
IMC150	1 1/2"	1.883	1.683	0.100	194	110		1100
IMC200	2"	2.360	2.150	0.105	256	80		800
IMC250	2 1/2"	2.857	2.557	0.150	441	37		370
IMC300	3"	3.476	3.176	0.150	543	30		300
IMC350	3 1/2"	3.971	3.671	0.150	629	24		240
IMC400	4"	4.466	4.166	0.150	700	24		240



Certifications:
UL1242
ANSI C80.6
Federal Specification WW-C-581



Rigid Steel Conduit



Features & Benefits:

- Consistent Quality – East Electrical Rigid Steel Conduit is manufactured for long life; durability and strength, and suitable for bending. The conduit is produced to ensure quality standards are strictly met. The product is easy to cut, bend and join on the job.
- Excellent Inner-Diameter Smoothness.
- Lower Life-Cycle Costs – Our Conduit resists cracking, flaking, peeling, impact, and damage from severe bending. Its physical and mechanical properties ensure that the pipe has an extended Life Cycle.

CAT #	TRADE SIZE IN	NOM O.D. IN	NOM I.D. IN	WALL THICKNESS IN	WEIGHT /100 FT LBS	PACKAGE INFORMATION		
						LIFT QUANTITY PCS	BD'S	LIFT WT FT LBS
GRC50	1/2"	0.840	0.632	0.104	82	25	2500	2050
GRC75	3/4"	1.050	0.836	0.107	109	40	2000	2178
GRC100	1"	1.315	1.063	0.126	161	25	1250	2013
GRC125	1 1/4"	1.660	1.394	0.133	218	90	900	1962
GRC150	1 1/2"	1.900	1.624	0.138	163	80	800	2099
GRC200	2"	2.375	2.083	0.146	350	60	600	2103
GRC250	2 1/2"	2.875	2.489	0.193	559	37	370	2072
GRC300	3"	3.500	3.090	0.205	727	30	300	2183
GRC350	3 1/2"	4.000	3.570	0.215	880	25	250	2200
GRC400	4"	4.500	4.050	0.225	1030	20	200	2059
GRC500	5"	5.563	5.073	0.245	1400	15	150	2101
GRC600	6"	6.625	6.093	0.266	1840	10	100	1841



Certifications:
UL6
ANSI C80.1
Federal Specification WW-C-581



Flexible Conduit

Steel



Features & Benefits:

- Corrosion Resistant
- Smooth interior for easy wire pull through
- Easy to follow contours
- Crush resistant Solid wood reel attached with nylon threaded bolts
- RWS - Steel Construction
- RWA - Aluminum construction



CAT#	TRADE SIZE IN	UNIT CTN	OUTSIDE DIAMETER		INSIDE DIAMETER		WT /100 ft LBS	PACKAGE INFORMATION	
			MIN IN	MAX IN	MIN IN	MAX IN		MASTER CASE	WT LBS
RWS-38100	3/8"	COIL	.555	.571	.374	.376	15.9	100'	15.9
RWS-50100	1/2"	COIL	.850	.866	.618	.634	16	100'	16
RWS-50500	1/2"	REEL	.850	.866	.618	.634	16	500'	80
RWS-501000	1/2"	REEL	.850	.866	.618	.634	16	1000'	160
RWS-50100UL	1/2"	COIL	.850	.866	.618	.634	16	100'	16
RWS-75100	3/4"	COIL	1.043	1.063	.827	.846	16	100'	16
RWS-75300	3/4"	REEL	1.043	1.063	.827	.846	16	300'	48
RWS-75500	3/4"	REEL	1.043	1.063	.827	.846	16	500'	80
RWS-75100UL	3/4"	COIL	1.043	1.063	.827	.846	16	100'	16
RWS-751000UL	3/4"	REEL	1.043	1.063	.827	.846	16	1000'	160
RWS-100100	1"	COIL	1.280	1.299	1.039	1.059	50	100'	50
RWS-100200	1"	REEL	1.280	1.299	1.039	1.059	50	200'	100
RWS-100300	1"	REEL	1.280	1.299	1.039	1.059	50	300'	150
RWS-10050UL	1"	COIL	1.280	1.299	1.039	1.059	50	50'	25
RWS-12550	1 1/4"	COIL	1.512	1.535	1.319	1.343	52	50'	26
RWS-125200	1 1/2"	REEL	1.827	1.850	1.496	1.520	63	200'	126
RWS-15050	1 1/2"	COIL	1.827	1.850	1.496	1.520	63	150'	95
RWS-150100	1 1/2"	REEL	1.827	1.850	1.496	1.520	63	50'	32
RWS-20025	2"	COIL	2.335	2.362	2.047	2.075	81	25'	21
RWS-200100	2"	REEL	2.335	2.362	2.047	2.075	81	100'	81
RWS-25025	2 1/2"	COIL						25'	
RWS-30025	3"	COIL						25'	
RWS-35025	3 1/2"	COIL						25'	
RWS-40025	4"	COIL						25'	

Aluminum



CAT#	TRADE SIZE IN	UNIT CTN	OUTSIDE DIAMETER		INSIDE DIAMETER		WT /100 ft LBS	PACKAGE INFORMATION	
			MIN IN	MAX IN	MIN IN	MAX IN		MASTER CASE	WT LBS
RWA-38100	3/8"	COIL	0.560	0.610	0.375	0.393	7	100'	7
RWA-38250	3/8"	REEL	0.560	0.610	0.375	0.393	7	250'	17.5
RWA-50100	1/2"	COIL	0.860	0.920	0.625	0.645	9.4	100'	9.4
RWA-501000	1/2"	REEL	0.860	0.920	0.625	0.645	9.4	1000'	94
RWA-75100	3/4"	COIL	1.045	1.105	0.812	0.835	12.5	100'	12.5
RWA-75500	3/4"	REEL	1.045	1.105	0.812	0.835	12.5	500'	62.5
RWA-10050	1"	COIL	1.300	1.380	1.000	1.040	19.6	50'	9.8
RWA-100300	1"	REEL	1.300	1.380	1.000	1.040	19.6	300'	58.8
RWA-12550	1 1/4"	COIL	1.550	1.630	1.250	1.300	23.9	50'	11.95
RWA-125200	1 1/2"	REEL	1.850	1.950	1.500	1.575	31.1	200'	62.2
RWA-15025	1 1/2"	COIL	1.850	1.950	1.500	1.575	31.1	25'	7.8
RWA-150100	1 1/2"	REEL	1.850	1.950	1.500	1.575	31.1	100'	31.1
RWA-20025	2"	COIL	2.350	2.450	2.000	2.080	40.2	25'	10
RWA-200100	2"	REEL	2.350	2.450	2.000	2.080	40.2	100'	40.2
RWA-25025	2 1/2"	COIL	2.860	3.060			65.6	25'	16.4
RWA-30025	3"	COIL	3.360	3.560			67.5	25'	16.9
RWA-35025	3 1/2"	COIL	3.860	4.060			76.0	25'	19
RWA-40025	4"	COIL					77.3	25'	19.4

EMT Elbows

90° EMT Elbow



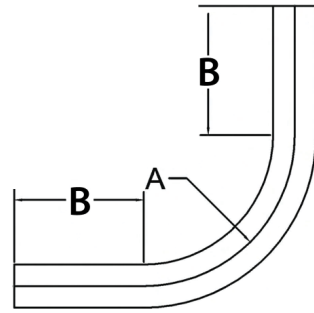
Features & Benefits:

- Smooth Interior: Facilitates easy wire pulling.
- Corrosion Resistant: Coated to prevent corrosion.
- Easy Installation: Quick setup with East EMT Connectors and Couplings
- UL Listed: Meets safety and quality standards.
- Size Range: From 1/2" to 4"



Certifications: UL797

CAT#	TRADE SIZE IN	MINIMUM UL RADIUS IN	ST LEG EA END IN	WT /100pcs LBS	PKG INFORMATION		
					INNER CASE	MASTER CASE	WT CASE
012EE90	1/2" x 90°	4.0	1.67	24	50	12	
034EE90	3/4" x 90°	4.5	2.17	43	50	22	
100EE90	1" x 90°	5.75	2.36	77	20	16	
125EE90	1 1/4" x 90°	7.25	2.76	142	20	29	
150EE90	1 1/2" x 90°	8.25	3.15	187	10	19	
200EE90	2" x 90°	9.5	4.25	272	10	27	
250EE90	2 1/2" x 90°	10.5	5.24	467	50	234	
300EE90	3" x 90°	13	5.87	685	35	240	
350EE90	3 1/2" x 90°	15	6.10	1039	35	364	
400EE90	4" x 90°	16	7.13	1248	25	312	



45° EMT Elbow



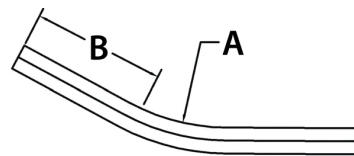
Features & Benefits:

- Smooth Interior: Facilitates easy wire pulling.
- Corrosion Resistant: Coated to prevent corrosion.
- Easy Installation: Quick setup with East EMT Connectors and Couplings
- UL Listed: Meets safety and quality standards.
- Size Range: From 1/2" to 4"



Certifications: UL797

CAT#	TRADE SIZE IN	MINIMUM UL RADIUS IN	ST LEG EA END IN	WT 100pcs LBS	PKG INFORMATION		
					INNER CASE	MASTER CASE	WT CASE
012EE45	1/2" x 45°	4	1.89	17	50	9	
034EE45	3/4" x 45°	4.5	2.13	29	50	15	
100EE45	1" x 45°	5.75	2.28	51	35	18	
125EE45	1 1/4" x 45°	7.25	2.76	94	30	28	
150EE45	1 1/2" x 45°	8.25	3.27	126	15	19	
200EE45	2" x 45°	9.5	3.94	189	15	29	
250EE45	2 1/2" x 45°	10.5	4.53	311	50	156	
300EE45	3" x 45°	13	5.91	486	40	195	
350EE45	3 1/2" x 45°	15	7.09	754	35	216	
400EE45	4" x 45°	16	7.87	926	35	324	



EMT Elbows

30° EMT Elbow



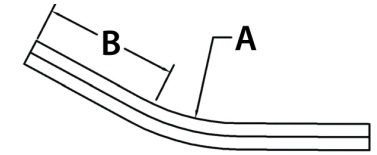
Features & Benefits:

- Smooth Interior: Facilitates easy wire pulling.
- Corrosion Resistant: Coated to prevent corrosion.
- Easy Installation: Quick setup with East EMT Connectors and Couplings
- UL Listed: Meets safety and quality standards.
- Size Range: From 1/2" to 4"



Certifications: UL797

CAT#	TRADE SIZE IN	MINIMUM UL RADIUS IN	ST LEG EA END IN	WT 100pcs LBS	PKG INFORMATION		
					INNER CASE	MASTER CASE	WT CASE
012EE30	1/2" x 30°	4	1.89	14	50	7	
034EE30	3/4" x 30°	4.5	2.13	25	50	13	
100EE30	1" x 30°	5.75	2.28	42	35	15	
125EE30	1 1/4" x 30°	7.25	2.76	78	30	24	
150EE30	1 1/2" x 30°	8.25	3.25	105	15	16	
200EE30	2" x 30°	9.5	4.29	158	15	24	
250EE30	2 1/2" x 30°	10.5	5.12	262	50	131	
300EE30	3" x 30°	13	6.14	410	40	164	
350EE30	3 1/2" x 30°	15	7.09	639	35	224	
400EE30	4" x 30°	16	7.09	788	35	276	



22.5° EMT Elbow



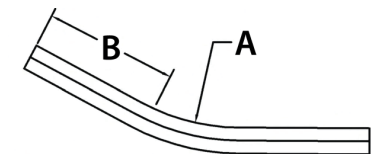
Features & Benefits:

- Smooth Interior: Facilitates easy wire pulling.
- Corrosion Resistant: Coated to prevent corrosion.
- Easy Installation: Quick setup with East EMT Connectors and Couplings
- UL Listed: Meets safety and quality standards.
- Size Range: From 1/2" to 4"



Certifications: UL797

CAT#	TRADE SIZE IN	MINIMUM UL RADIUS IN	ST LEG EA END IN	WT 100pcs LBS	PKG INFORMATION		
					INNER CASE	MASTER CASE	WT CASE
012EE225	1/2" x 22.5°	4.00	1.87	13	50	7	
034EE225	3/4" x 22.5°	4.50	2.11	23	50	12	
100EE225	1" x 22.5°	5.75	2.26	38	35	13	
125EE225	1 1/4" x 22.5°	7.25	2.76	70	30	21	
150EE225	1 1/2" x 22.5°	8.25	3.25	94	15	14	
200EE225	2" x 22.5°	9.50	4.29	143	10	15	
250EE225	2 1/2" x 22.5°	10.50	5.12	237	1	50	119
300EE225	3" x 22.5°	13.00	6.14	373	1	40	149
350EE225	3 1/2" x 22.5°	15.00	6.73	582	1	35	204
400EE225	4" x 22.5°	16.00	7.09	720	1	35	252



EMT Elbows

15° EMT Elbow

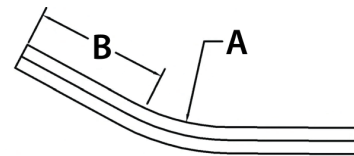


Features & Benefits:

- Smooth Interior: Facilitates easy wire pulling.
- Corrosion Resistant: Coated to prevent corrosion.
- Easy Installation: Quick setup with East EMT Connectors and Couplings
- UL Listed: Meets safety and quality standards.
- Size Range: From 1/2" to 4"

Certifications: UL797

CAT#	TRADE SIZE	MINIMUM UL RADIUS	ST LEG EA END	WT 100pcs LBS	PKG INFORMATION		
	IN	IN	IN		INNER CASE	MASTER CASE	WT CASE
012EE15	1/2" x 15°	4	1.89	12	50	6	
034EE15	3/4" x 15°	4.5	2.13	20	50	10	
100EE15	1" x 15°	5.75	2.28	34	35	12	
125EE15	1 1/4" x 15°	7.25	2.76	62	30	19	
150EE15	1 1/2" x 15°	8.27	3.27	84	15	13	
200EE15	2" x 15°	9.5	4.29	128	15	19	
250EE15	2 1/2" x 15°	10.5	5.12	212	50	106	
300EE15	3" x 15°	13	6.14	335	40	134	
350EE15	3 1/2" x 15°	15	6.73	525	35	184	
400EE15	4" x 15°	16	7.09	651	35	228	



Rigid Steel Elbows

90° Rigid Elbows

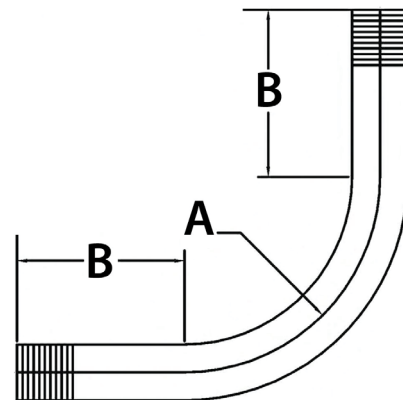


Features & Benefits:

- NPT Threads
- Smooth Interior: Facilitates easy wire pulling.
- Corrosion Resistant: Coated to prevent corrosion.
- Easy Installation: Quick setup with East RIGID Connectors and Couplings
- UL Listed: Meets safety and quality standards.
- Size Range: From 1/2" to 6"

Certifications: UL6

CAT#	TRADE SIZE	MINIMUM UL RADIUS	ST LEG EA END	WT 100pcs LBS	PKG INFORMATION		
	IN	IN	IN		INNER CASE	MASTER CASE	WT CASE
012RE90	1/2" x 90°	4	1.67	66	50	33	
034RE90	3/4" x 90°	4.5	2.17	104	50	52	
100RE90	1" x 90°	5.75	2.36	185	20	37	
125RE90	1 1/4" x 90°	7.25	2.76	307	20	62	
150RE90	1 1/2" x 90°	8.25	3.15	421	10	42	
200RE90	2" x 90°	9.5	4.25	644	10	65	
250RE90	2 1/2" x 90°	10.5	5.24	1212	1	50	606
300RE90	3" x 90°	13	5.87	1884	1	35	660
350RE90	3 1/2" x 90°	15	6.73	2624	1	35	919
400RE90	4" x 90°	16	7.13	3274	1	25	819
500RE90	5" x 90°	24	11.14	6997	1	1	70
600RE90	6" x 90°	30	13.27	11286	1	1	113



Rigid Steel Elbows

45° Rigid Elbows

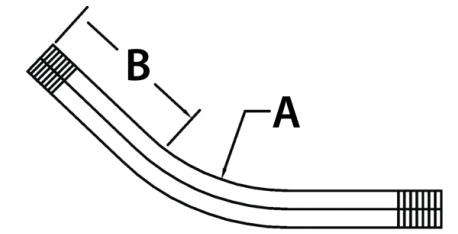


Features & Benefits:

- NPT Threads
- Smooth Interior: Facilitates easy wire pulling.
- Corrosion Resistant: Coated to prevent corrosion.
- Easy Installation: Quick setup with East RIGID Connectors and Couplings
- UL Listed: Meets safety and quality standards.
- Size Range: From 1/2" to 6"

Certifications: UL6

CAT#	TRADE SIZE	MINIMUM UL RADIUS	ST LEG EA END	WT 100pcs LBS	PKG INFORMATION		
	IN	IN	IN		INNER CASE	MASTER CASE	WT CASE
012RE45	1/2" x 45°	4	1.87	48	50	24	
034RE45	3/4" x 45°	4.5	2.11	70	50	35	
100RE45	1" x 45°	5.75	2.26	120	35	42	
125RE45	1 1/4" x 45°	7.25	2.76	203	30	61	
150RE45	1 1/2" x 45°	8.25	3.25	286	15	43	
200RE45	2" x 45°	9.5	4.29	446	15	67	
250RE45	2 1/2" x 45°	10.5	5.12	808	1	50	404
300RE45	3" x 45°	13	6.14	1325	1	40	530
350RE45	3 1/2" x 45°	15	7.09	1903	1	35	676
400RE45	4" x 45°	16	7.87	2430	1	35	851
500RE45	5" x 45°	24	11.06	4777	1	1	48
600RE45	6" x 45°	30	12.72	7509	1	1	75



30° Rigid Elbows

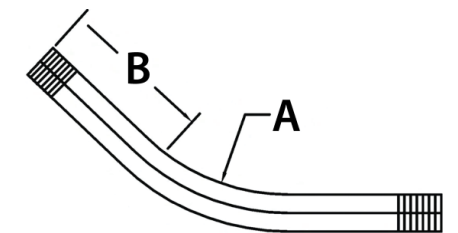


Features & Benefits:

- NPT Threads
- Smooth Interior: Facilitates easy wire pulling.
- Corrosion Resistant: Coated to prevent corrosion.
- Easy Installation: Quick setup with East RIGID Connectors and Couplings
- UL Listed: Meets safety and quality standards.
- Size Range: From 1/2" to 6"

Certifications: UL6

CAT#	TRADE SIZE	MINIMUM UL RADIUS	ST LEG EA END	WT 100pcs LBS	PKG INFORMATION		
	IN	IN	IN		INNER CASE	MASTER CASE	WT CASE
012RE30	1/2" x 30°	4.0	1.89	40	50	20	
034RE30	3/4" x 30°	4.5	2.11	60	50	30	
100RE30	1" x 30°	5.75	2.26	101	35	36	
125RE30	1 1/4" x 30°	7.25	2.76	169	30	51	
150RE30	1 1/2" x 30°	8.25	3.25	236	15	36	
200RE30	2" x 30°	9.5	4.29	375	15	57	
250RE30	2 1/2" x 30°	10.5	5.12	679	1	50	340
300RE30	3" x 30°	13	6.14	1128	1	40	452
350RE30	3 1/2" x 30°	15	7.09	1613	1	35	565
400RE30	4" x 30°	16	7.87	2067	1	35	724
500RE30	5" x 30°	24	11.06	4054	1	25	1014
600RE30	6" x 30°	30	12.72	6282	1	25	1571



Rigid Steel Elbows

22.5° Rigid Elbows

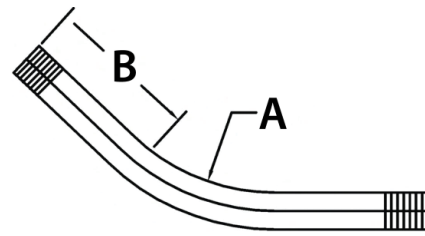


Features & Benefits:

- NPT Threads
- Smooth Interior: Facilitates easy wire pulling.
- Corrosion Resistant: Coated to prevent corrosion.
- Easy Installation: Quick setup with East RIGID Connectors and Couplings
- UL Listed: Meets safety and quality standards.
- Size Range: From 1/2" to 6"

Certifications: UL6

CAT#	TRADE SIZE IN	MINIMUM UL RADIUS IN	ST LEG EA END IN	WT 100pcs LBS	PKG INFORMATION		
					INNER CASE	MASTER CASE	WT CASE
012RE225	1/2" x 22.5°	4	1.90	36	50	18	
034RE225	3/4" x 22.5°	4.5	2.13	54	50	27	
100RE225	1" x 22.5°	5.75	2.28	91	35	42	
125RE225	1 1/4" x 22.5°	7.25	2.76	152	30	46	
150RE225	1 1/2" x 22.5°	8.27	3.27	213	15	32	
200RE225	2" x 22.5°	9.5	4.29	339	10	34	
250RE225	2 1/2" x 22.5°	10.5	4.53	615	50	308	
300RE225	3" x 22.5°	13	5.91	1025	35	359	
350RE225	3 1/2" x 22.5°	15	7.09	1470	35	515	
400RE225	4" x 22.5°	16	7.87	1888	35	661	
500RE225	5" x 22.5°	24	11.06	3678	25	920	
600RE225	6" x 22.5°	30	12.72	5668	25	1417	



15° Rigid Elbows

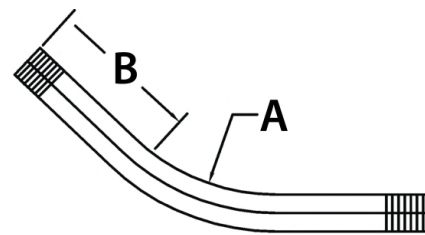


Features & Benefits:

- NPT Threads
- Smooth Interior: Facilitates easy wire pulling.
- Corrosion Resistant: Coated to prevent corrosion.
- Easy Installation: Quick setup with East RIGID Connectors and Couplings
- UL Listed: Meets safety and quality standards.
- Size Range: From 1/2" to 6"

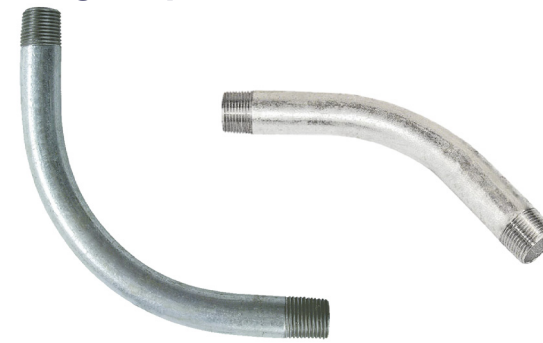
Certifications: UL6

CAT#	TRADE SIZE IN	MINIMUM UL RADIUS IN	ST LEG EA END IN	WT 100pcs LBS	PKG INFORMATION		
					INNER CASE	MASTER CASE	WT CASE
012RE15	1/2" x 15°	4	1.89	33	50	17	
034RE15	3/4" x 15°	4.5	2.13	49	50	25	
100RE15	1" x 15°	5.75	2.28	81	35	29	
125RE15	1 1/4" x 15°	7.25	2.76	134	30	41	
150RE15	1 1/2" x 15°	8.25	3.27	189	15	29	
200RE15	2" x 15°	9.5	3.94	302	10	31	
250RE15	2 1/2" x 15°	10.5	4.53	551	50	276	
300RE15	3" x 15°	13	6.14	922	35	323	
350RE15	3 1/2" x 15°	15	7.09	1326	35	464	
400RE15	4" x 15°	16	7.87	1709	35	598	
500RE15	5" x 15°	24	11.06	3294	25	824	
600RE15	6" x 15°	30	12.72	5066	25	1267	



Rigid Steel Special Radius Elbows

2" Rigid Special Radius Elbows

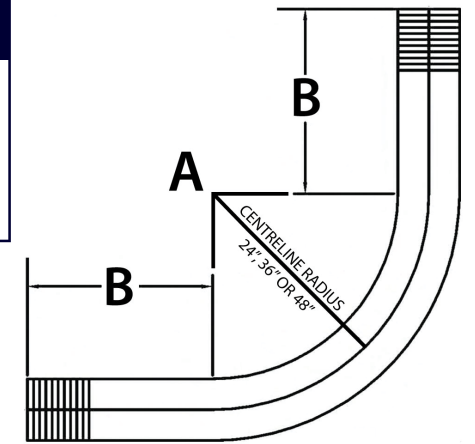


Features & Benefits:

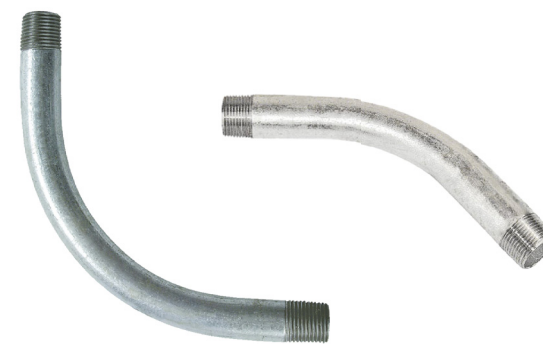
- NPT Threads
- Smooth Interior: Facilitates easy wire pulling.
- Corrosion Resistant: Coated to prevent corrosion.
- Easy Installation: Quick setup with East RIGID Connectors and Couplings
- UL Listed: Meets safety and quality standards.
- Size Range: From 2" to 6"

Certifications: UL6

CAT #	TRADE SIZE IN	BEND RADIUS IN	WT 100 PCS LBS	PKG INFORMATION	
				CASE QTY	WT CASE
200RE45X24	2" x 45°	24	1185	1	11.85
200RE45X36	2" x 45°	36	1458	1	14.58
200RE45X48	2" x 45°	48	1790	1	17.90
200RE90X24	2" x 90°	24	1731	1	17.31
200RE90X36	2" x 90°	36	2290	1	22.90
200RE90X48	2" x 90°	48	2882	1	28.82



2 1/2" Rigid Special Radius Elbows

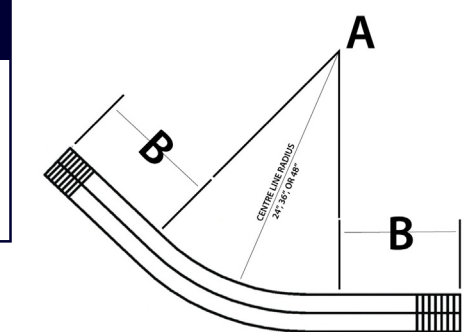


Features & Benefits:

- NPT Threads
- Smooth Interior: Facilitates easy wire pulling.
- Corrosion Resistant: Coated to prevent corrosion.
- Easy Installation: Quick setup with East RIGID Connectors and Couplings
- UL Listed: Meets safety and quality standards.
- Size Range: From 2" to 6"

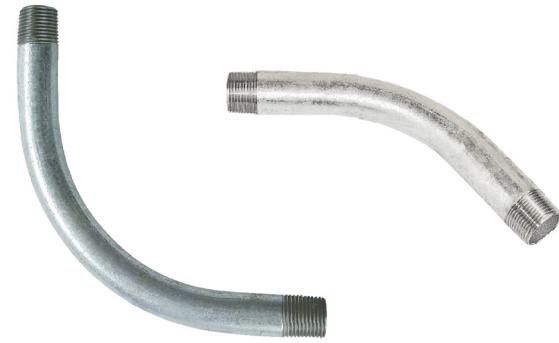
Certifications: UL6

CAT #	TRADE SIZE IN	BEND RADIUS IN	WT 100 PCS LBS	PKG INFORMATION	
				CASE QTY	WT CASE
250RE45X24	2 1/2" x 45°	24	1882	1	18.82
250RE45X36	2 1/2" x 45°	36	2318	1	23.18
250RE45X48	2 1/2" x 45°	48	2844	1	28.44
250RE90X24	2 1/2" x 90°	24	2751	1	27.51
250RE90X36	2 1/2" x 90°	36	3619	1	36.19
250RE90X48	2 1/2" x 90°	48	4581	1	45.81



Rigid Steel Special Radius Elbows

3" Rigid Special Radius Elbows

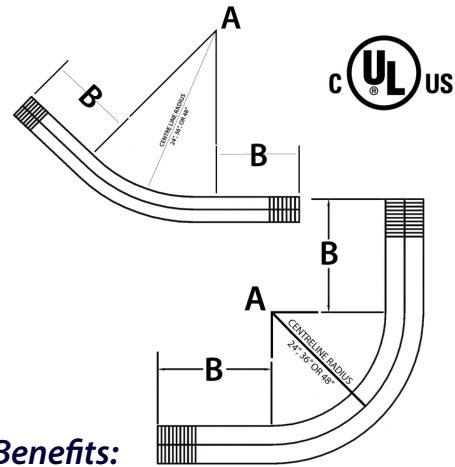


Features & Benefits:

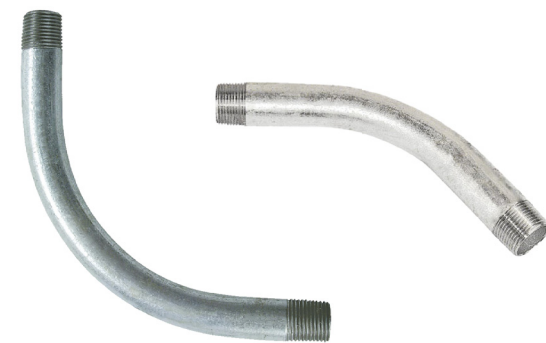
- NPT Threads
- Smooth Interior: Facilitates easy wire pulling.
- Corrosion Resistant: Coated to prevent corrosion.
- Easy Installation: Quick setup with East RIGID Connectors and Couplings
- UL Listed: Meets safety and quality standards.
- Size Range: From 2" to 6"

Certifications: UL6

CAT #	TRADE SIZE IN	BEND RADIUS IN	WT 100 PCS LBS	PKG INFORMATION	
				CASE QTY	WT CASE
300RE45X24	3" x 45°	24	2458	1	24.58
300RE45X36	3" x 45°	36	3027	1	30.27
300RE45X48	3" x 45°	48	3714	1	37.14
300RE90X24	3" x 90°	24	3594	1	35.94
300RE90X36	3" x 90°	36	4727	1	47.27
300RE90X48	3" x 90°	48	5983	1	59.83



4" Rigid Special Radius Elbows

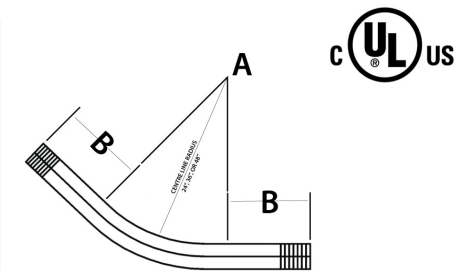


Features & Benefits:

- NPT Threads
- Smooth Interior: Facilitates easy wire pulling.
- Corrosion Resistant: Coated to prevent corrosion.
- Easy Installation: Quick setup with East RIGID Connectors and Couplings
- UL Listed: Meets safety and quality standards.
- Size Range: From 2" to 6"

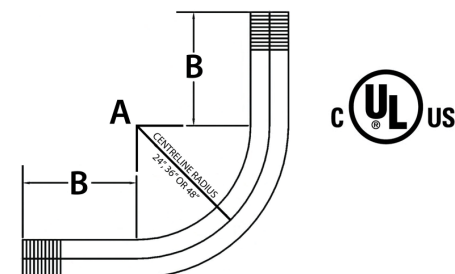
Certifications: UL6

CAT #	TRADE SIZE IN	BEND RADIUS IN	WT 100 PCS LBS	PKG INFORMATION	
				CASE QTY	WT CASE
400RE45X24	4" x 45°	24	3502	1	35.02
400RE45X36	4" x 45°	36	4312	1	43.12
400RE45X48	4" x 45°	48	5291	1	52.91
400RE90X24	4" x 90°	24	5119	1	51.19
400RE90X36	4" x 90°	36	6733	1	67.33
400RE90X48	4" x 90°	48	8523	1	85.23



5" and 6" Rigid Special Radius Elbows

CAT #	TRADE SIZE IN	BEND RADIUS IN	WT 100 PCS LBS	PKG INFORMATION	
				CASE QTY	WT CASE
500RE90X36	5" x 90°	36	9110	1	91.10
500RE90X48	5" x 90°	48	11528	1	115.28
600RE90X36	6" x 90°	36	11839	1	118.39
600RE90X48	6" x 90°	48	14981	1	149.81



Rigid Steel Nipples

Steel



Features & Benefits:

- NPT Threads
- Smooth Interior: Facilitates easy wire pulling.
- Corrosion Resistant: Coated to prevent corrosion.
- Easy Installation: Quick setup with East RIGID Connectors and Couplings
- UL Listed: Meets safety and quality standards.
- Size Range: From 1/2" to 6" with multiple length options.

Certifications: UL6

CAT #	PIPE SIZE	PIPE LENGTH	WT 100pcs LBS	PKG INFORMATION		
				INNER CASE QTY	MASTER CASE QTY	WT LBS
012GRN150	1/2"	1 1/2"	8	25	600	24
012GRN200	1/2"	2"	12	25	600	72
012GRN250	1/2"	2 1/2"	15	25	400	60
012GRN300	1/2"	3"	19	25	400	76
012GRN350	1/2"	3 1/2"	22	25	300	66
012GRN400	1/2"	4"	26	25	300	78
012GRN500	1/2"	5"	33	25	200	66
012GRN600	1/2"	6"	40	25	200	80
012GRN1000	1/2"	10"	68	25	75	51
012GRN1200	1/2"	12"	82	25	75	62

CAT #	PIPE SIZE	PIPE LENGTH	WT 100pcs LBS	PKG INFORMATION		
				INNER CASE QTY	MASTER CASE QTY	WT LBS
125GRN200	1 1/4"	2"	28	25	150	42
125GRN250	1 1/4"	2 1/2"	37	25	150	56
125GRN300	1 1/4"	3"	47	25	100	47
125GRN350	1 1/4"	3 1/2"	55	25	100	55
125GRN400	1 1/4"	4"	66	25	100	66
125GRN500	1 1/4"	5"	84	25	75	63
125GRN600	1 1/4"	6"	100	25	50	50
125GRN800	1 1/4"	8"	136	15	30	41
125GRN1000	1 1/4"	10"	176	15	30	53
125GRN1200	1 1/4"	12"	216	15	30	65

CAT #	PIPE SIZE	PIPE LENGTH	WT 100pcs LBS	PKG INFORMATION		
				INNER CASE QTY	MASTER CASE QTY	WT LBS
034GRN150	3/4"	1 1/2"	10	25	400	40
034GRN200	3/4"	2"	14	25	400	56
034GRN250	3/4"	2 1/2"	19	25	300	57
034GRN300	3/4"	3"	24	25	200	45
034GRN350	3/4"	3 1/2"	28	25	150	42
034GRN400	3/4"	4"	34	25	150	51
034GRN500	3/4"	5"	43	25	100	43
034GRN600	3/4"	6"	52	25	100	52
034GRN800	3/4"	8"	73	25	75	55
034GRN1000	3/4"	10"	89	25	50	45
034GRN1200	3/4"	12"	109	25	50	55

CAT #	PIPE SIZE	PIPE LENGTH	WT 100pcs LBS	PKG INFORMATION		
				INNER CASE QTY	MASTER CASE QTY	WT LBS
150GRN200	1 1/2"	2"	34	25	75	26
150GRN250	1 1/2"	2 1/2"	44	25	75	33
150GRN300	1 1/2"	3"	56	25	100	56
150GRN350	1 1/2"	3 1/2"	68	25	50	34
150GRN400	1 1/2"	4"	80	25	50	40
150GRN500	1 1/2"	5"	103	25	50	52
150GRN600	1 1/2"	6"	122	25	50	34
150GRN800	1 1/2"	8"	170	1	10	17
150GRN1000	1 1/2"	10"	216	1	10	22
150GRN1200	1 1/2"	12"	260	1	20	52

CAT #	PIPE SIZE	PIPE LENGTH	WT 100pcs LBS	PKG INFORMATION		
				INNER CASE QTY	MASTER CASE QTY	WT LBS
100GRN200	1"	2"	22	25	200	44
100GRN250	1"	2 1/2"	28	25	200	56
100GRN300	1"	3"	36	25	150	54
100GRN350	1"	3 1/2"	43	25	100	43
100GRN400	1"	4"	49	25	100	49
100GRN500	1"	5"	64	25	100	64
100GRN600	1"	6"	78	25	75	59
100GRN800	1"	8"	109	25	75	82
100GRN1000	1"	10"	138	25	75	104
100GRN1200	1"	12"	200	1	25	50

CAT #	PIPE SIZE	PIPE LENGTH	WT 100pcs LBS	PKG INFORMATION		
				INNER CASE QTY	MASTER CASE QTY	WT LBS
200GRN250	2"	2 1/2"	59	25	50	30
200GRN300	2"	3"	72		25	18
200GRN350	2"	3 1/2"	88		40	35
200GRN400	2"	4"	103		40	41
200GRN500	2"	5"	132		40	53
200GRN600	2"	6"	160	1	25	40
200GRN700	2"	7"	190	1	20	38
200GRN800	2"	8"	220	1	10	22
200GRN1000	2"	10"	285	1	20	57
200GRN1200	2"	12"	335	1	15	50

Rigid Steel Nipples

Steel



Close Nipples



CAT #	PIPE SIZE	PIPE LENGTH	WT 100pcs LBS	PKG INFORMATION		
				INNER CASE QTY	MASTER CASE QTY	CASE WT LBS
250GRN300	2 1/2"	3"	100		10	10
250GRN350	2 1/2"	3 1/2"	120	10	30	36
250GRN400	2 1/2"	4"	150	10	30	45
250GRN500	2 1/2"	5"	197	10	20	40
250GRN600	2 1/2"	6"	240	10	20	48
250GRN800	2 1/2"	8"	329	1	10	33
250GRN1000	2 1/2"	10"	422	1	10	42

CAT #	PIPE SIZE	PIPE LENGTH	WT 100pcs LBS	PKG INFORMATION		
				INNER CASE QTY	MASTER CASE QTY	WT LBS
300GRN300	3"	3"	130		20	26
300GRN350	3"	3 1/2"	157		15	24
300GRN400	3"	4"	200		15	60
300GRN500	3"	5"	260		15	78
300GRN600	3"	6"	300		10	30
300GRN800	3"	8"	411		7	29
300GRN1000	3"	10"	528		5	27
300GRN1200	3"	12"	630		5	32

CAT #	PIPE SIZE	PIPE LENGTH	WT 100pcs LBS	PKG INFORMATION		
				INNER CASE QTY	MASTER CASE QTY	WT LBS
350GRN400	3 1/2"	4"	240	1	10	24
350GRN500	3 1/2"	5"	320	1	8	26
350GRN600	3 1/2"	6"	373	1	8	30
350GRN800	3 1/2"	8"	510	1	4	21
350GRN1000	3 1/2"	10"	655	1	4	26
350GRN1200	3 1/2"	12"	785	1	4	32

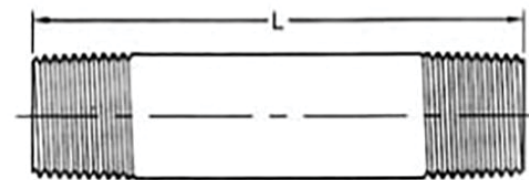
CAT #	PIPE SIZE	PIPE LENGTH	WT 100pcs LBS	PKG INFORMATION		
				INNER CASE QTY	MASTER CASE QTY	WT LBS
400GRN400	4"	4"	285	1	10	29
400GRN500	4"	5"	380	1	8	31
400GRN600	4"	6"	440	1	8	35
400GRN800	4"	8"	600	1	8	48
400GRN1000	4"	10"	775	1	4	31
400GRN1200	4"	12"	925	1	4	27

CAT #	PIPE SIZE	PIPE LENGTH	WT 100pcs LBS	PKG INFORMATION		
				INNER CASE QTY	MASTER CASE QTY	WT LBS
500GRN500	5"	5"	480	1	5	24
500GRN600	5"	6"	600	1	5	30
500GRN800	5"	8"	825	1	4	33
500GRN1000	5"	10"	1055	1	3	32
500GRN1200	5"	12"	1260	1	3	38

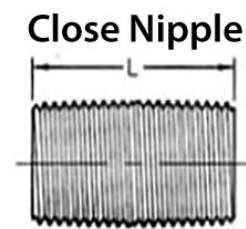
CAT #	PIPE SIZE	PIPE LENGTH	WT 100pcs LBS	PKG INFORMATION		
				INNER CASE QTY	MASTER CASE QTY	WT LBS
600GRN500	6"	5"	660	1	5	33
600GRN600	5"	6"	820	1	5	41
600GRN800	5"	8"	1125	1	4	45
600GRN1000	5"	10"	1440	1	3	43
600GRN1200	5"	12"	1720	1	3	52

Certifications: UL6

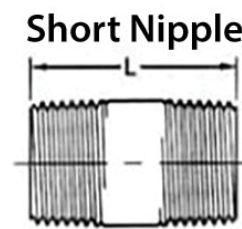
CAT #	PIPE SIZE	PIPE LENGTH	WT 100pcs LBS	PKG INFORMATION		
				INNER CASE QTY	MASTER CASE QTY	WT LBS
012CGRN	1/2"	1 1/8"	6	25	600	36
034CGRN	3/4"	1 3/8"	9	25	400	36
100CGRN	1"	1 1/2"	16	25	300	48
125CGRN	1 1/4"	1 5/8"	22	25	100	22
150CGRN	1 1/2"	1 3/4"	28	25	100	28
200CGRN	2"	2"	44	25	75	33
250CGRN	2 1/2"	2 1/2"	84	40	40	16
300CGRN	3"	2 5/8"	118	1	30	35.4
350CGRN	3 1/2"	2 3/4"	160	1	20	32
400CGRN	4"	2 7/8"	180	20	20	36
500CGRN	5"	3"	240	1	8	19.2
600CGRN	6"	3 1/8"	350	1	8	28



Long Nipple



Close Nipple



Short Nipple



Rigid Steel Couplings

Steel

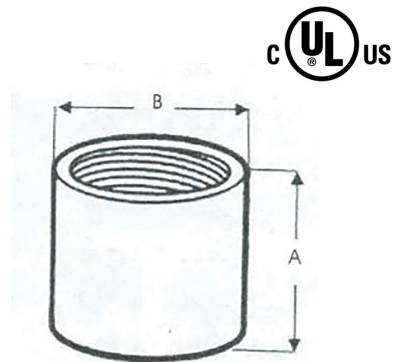


Features & Benefits:

- NPSM Threads
- Corrosion Resistant: Coated to prevent corrosion.
- Easy Installation: Quick setup with East RIGID Conduit, Connectors and Couplings
- UL Listed: Meets safety and quality standards.
- Size Range: From 1/2" to 6"

Certifications: UL6

CAT#	TRADE SIZE IN	MIN A IN	OUTSIDE B IN	WT 100pcs LBS	PACKAGE INFORMATION		
					INNER CASE	MASTER CASE	WT LBS
012RC	1/2"	1.625	1.01	14	150	400	56
034RC	3/4"	1.642	1.25	20	50	300	60
100RC	1"	1.969	1.52	31	30	180	56
125RC	1 1/4"	2.032	1.87	39	25	100	39
150RC	1 1/2"	2.063	2.15	56	25	75	42
200RC	2"	2.125	2.65	73	20	60	44
250RC	2 1/2"	3.189	3.25	185		12	22
300RC	3"	3.311	3.87	226		8	18
350RC	3 1/2"	3.41	4.50	358		4	15
400RC	4"	3.516	4.87	400		4	16
500RC	5"	3.953	6.00	497		2	10
600RC	6"	4.252	7.20	816		3	25



Compression Type

Compression Couplings



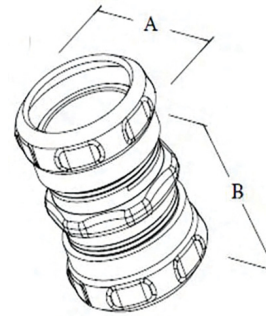
Features & Benefits:

- Used to join two lengths of EMT.
- Concrete-tight.
- Compression Type
- Zinc plated steel construction.



Certifications: UL-514B

CAT#	TRADE SIZE IN	A LENGTH IN	B DIA IN	WT /100pcs LBS	PACKAGE INFORMATION		
					INNER CASE	MASTER CASE	WT LBS
CK-50S1	1/2"	1.09	1.86	14.50	25	500	73
CK-75S1	3/4"	1.30	1.98	19.57	25	250	49
CK-100S1	1"	1.63	2.23	28.21	25	200	57
CK-125S1	1 1/4"	2.13	2.60	45.06	25	100	45
CK-150S1	1 1/2"	2.37	2.86	51.75	25	100	52
CK-200S1	2"	2.86	2.96	68.71	25	50	35
CK-250S1	2 1/2"	3.59	5.12	188.18		8	15
CK-300S1	3"	4.23	5.16	236.91		6	15
CK-350S1	3 1/2"	4.70	5.36	286.60		4	12
CK-400S1	4"	5.26	5.58	343.81		4	14



Raintight Compression Couplings



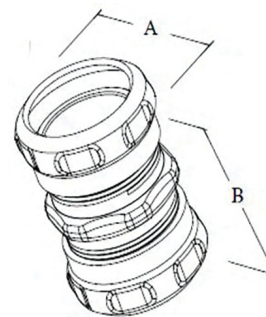
Features & Benefits:

- Assembled with sealing ring and knockout gasket, Compression style connector can provide a rain tight seal when connecting EMT to a box or enclosure.
- Hex gland nut creates a flat smooth surface for convenient wrenching
- Interior shoulder conduit stop, offers positive seating of the conduit inside the body.
- Zinc plated steel construction with Thermoplastic sealing rings.
- Concrete-tight/Rain-tight..



Certifications: UL-514B

CAT#	TRADE SIZE IN	A LENGTH IN	B DIA IN	WT /100pcs LBS	PACKAGE INFORMATION		
					INNER CASE	MASTER CASE	WT LBS
CK-50RTS1	1/2"	1.09	1.86	14.11	25	250	36
CK-75RTS1	3/4"	1.30	1.98	18.08	25	250	46
CK-100RTS1	1"	1.63	2.23	30.86	25	100	31
CK-125RTS1	1 1/4"	2.13	2.60	57.32		25	15
CK-150RTS1	1 1/2"	2.37	2.86	66.14		20	14
CK-200RTS1	2"	2.86	2.96	88.18		15	14
CK-250RTS1	2 1/2"	3.59	5.12	192.90		12	24
CK-300RTS1	3"	4.23	5.16	275.58		6	17
CK-350RTS1	3 1/2"	4.70	5.36	440.92		5	22
CK-400RTS1	4"	5.26	5.58	275.58		6	17



Compression Type

Compression Connectors



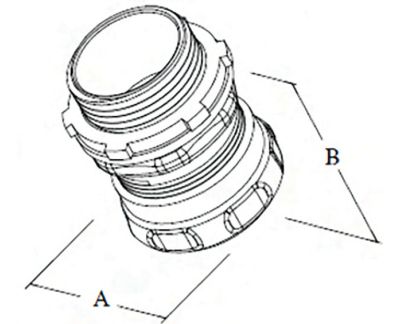
Features & Benefits:

- Used to join EMT to a box or enclosure.
- Compression Type
- Concrete Tight
- Male hub threads - NPSM
- Zinc Plated Steel Construction.



Certifications: UL-514B

CAT#	TRADE SIZE IN	A LENGTH IN	B DIA IN	WT /100pcs LBS	PACKAGE INFORMATION		
					INNER CASE	MASTER CASE	WT LBS
CC-50S1	1/2"	1.09	1.86	11.71	25	500	59
CC-75S1	3/4"	1.30	1.98	17.20	25	250	43
CC-100S1	1"	1.63	2.23	23.07	25	200	46
CC-125S1	1 1/4"	2.13	2.60	38.15	25	100	38
CC-150S1	1 1/2"	2.37	2.86	44.53	25	100	45
CC-200S1	2"	2.86	2.96	60.01	25	50	30
CC-250S1	2 1/2"	3.59	5.12	149.73		8	12
CC-300S1	3"	4.23	5.16	190.76		6	12
CC-350S1	3 1/2"	4.70	5.36	243.75		4	10
CC-400S1	4"	5.26	5.58	264.42		4	11



Insulated Compression Connectors



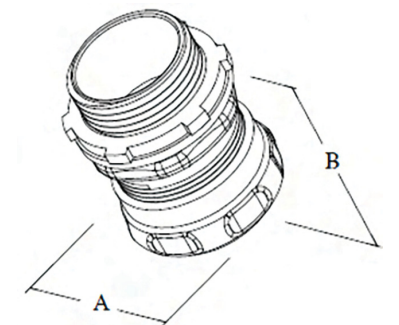
Features & Benefits:

- Used to join EMT to a box or enclosure.
- Compression Type
- Concrete Tight
- Male hub threads - NPSM
- Zinc Plated Steel Construction with Hi-Performance Thermoplastic



Certifications: UL-514B

CAT#	TRADE SIZE IN	A LENGTH IN	B DIA IN	WT /100pcs LBS	PACKAGE INFORMATION		
					INNER CASE	MASTER CASE	WT LBS
CCI-50S1	1/2"	1.09	1.51	11.72	25	500	59
CCI-75S1	3/4"	1.30	1.64	15.77	25	250	40
CCI-100S1	1"	1.63	1.95	23.12	25	200	47
CCI-125S1	1 1/4"	2.13	2.38	37.17	25	100	37
CCI-150S1	1 1/2"	2.37	2.41	45.41	25	100	45
CCI-200S1	2"	2.86	2.62	60.14	25	50	30
CCI-250S1	2 1/2"	3.59	4.06	153.59		8	13
CCI-300S1	3"	4.23	4.23	190.15		6	12
CCI-350S1	3 1/2"	4.70	4.61	220.46		4	9
CCI-400S1	4"	5.26	4.67	266.39		4	11



Compression Type

Raintight Compression Connectors



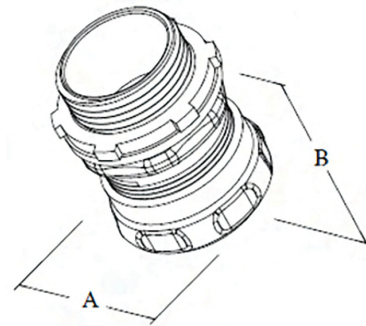
Features & Benefits:

- Assembled with sealing ring and knockout gasket, Compression style connector can provide a rain tight seal when connecting EMT to a box or enclosure.
- Hex gland nut creates a flat smooth surface for convenient wrenching
- Interior shoulder conduit stop, offers positive seating of the conduit inside the body.
- Zinc plated steel construction with Thermoplastic sealing rings.
- Angled teeth on the locknut securely bite into enclosure
- Concrete-tight/Rain-tight..



Certifications: UL-514B

CAT#	TRADE SIZE IN	MIN A IN	OUTSIDE B IN	WT /100pcs LBS	PACKAGE INFORMATION		
					INNER CASE	MASTER CASE	WT LBS
CC-50RTS1	1/2"	1.09	1.51	11.90	25	250	29.75
CC-75RTS1	3/4"	1.30	1.64	16.75	25	250	41.88
CC-100RTS1	1"	1.63	1.98	28.66	25	100	28.66
CC-125RTS1	1 1/4"	2.13	2.38	48.50	25	100	48.50
CC-150RTS1	1 1/2"	2.37	2.41	60.63		20	9.70
CC-200RTS1	2"	2.86	2.62	80.84		15	12.13
CC-250RTS1	2 1/2"	3.59	4.06	146.97		12	17.64
CC-300RTS1	3"	4.23	4.23	156.16		12	18.74
CC-350RTS1	3 1/2"	4.77	4.61	330.69		5	16.54
CC-400RTS1	4"	5.26	4.67	352.74		3	10.58



Insulated Raintight Compression Connectors



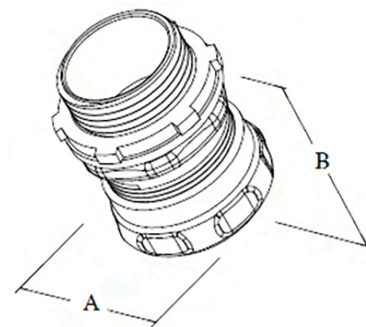
Features & Benefits:

- Assembled with sealing ring and knockout gasket, Compression style connector can provide a rain tight seal when connecting EMT to a box or enclosure.
- Hex gland nut creates a flat smooth surface for convenient wrenching
- Interior shoulder conduit stop, offers positive seating of the conduit inside the body.
- Zinc plated steel construction with Thermoplastic sealing rings.
- Angled teeth on the locknut securely bite into enclosure
- Concrete-tight/Rain-tight.
- Insulated throat.



Certifications: UL-514B

CAT#	TRADE SIZE IN	MIN A IN	OUTSIDE B IN	WT /100pcs LBS	PACKAGE INFORMATION		
					INNER CASE	MASTER CASE	WT LBS
CCI-50RTS1	1/2"	1.09	1.51	11.90	25	250	29.75
CCI-75RTS1	3/4"	1.30	1.64	16.75	25	250	41.88
CCI-100RTS1	1"	1.63	1.98	28.66	25	100	28.66
CCI-125RTS1	1 1/4"	2.13	2.38	48.50	25	100	48.50
CCI-150RTS1	1 1/2"	2.37	2.41	60.63		20	9.70
CCI-200RTS1	2"	2.86	2.62	80.84		15	12.13
CCI-250RTS1	2 1/2"	3.59	4.06	146.97		12	17.64
CCI-300RTS1	3"	4.23	4.23	156.16		12	18.74
CCI-350RTS1	3 1/2"	4.77	4.61	330.69		5	16.54
CCI-400RTS1	4"	5.26	4.67	352.74		3	10.58



Set-Screw Type

Set Screw Couplings

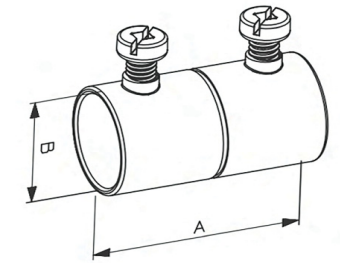


Features & Benefits:

- Used to join two lengths of EMT.
- Concrete-tight when taped
- Zinc plated steel construction.

Certifications: UL-514B

CAT#	TRADE SIZE IN	A LENGTH IN	B DIA IN	WT /100pcs LBS	PACKAGE INFORMATION		
					INNER CASE	MASTER CASE	WT LBS
SK-50S1	1/2"	1.750	0.88	8.73	25	500	40
SK-75S1	3/4"	2.125	1.06	10.58	25	250	27
SK-100S1	1"	2.500	1.31	18.88	25	200	38
SK-125S1	1 1/4"	3.250	1.69	36.01	25	100	36
SK-150S1	1 1/2"	3.750	1.94	43.87	25	100	41
SK-200S1	2"	4.000	2.38	57.72	25	50	28
SK-250S1	2 1/2"	4.250	3.19	132.98		8	10
SK-300S1	3"	4.500	3.19	169.75		6	10
SK-350S1	3 1/2"	4.750	4.31	216.52		4	9
SK-400S1	4"	5.000	4.81	245.81		4	9



Set-Screw Connectors

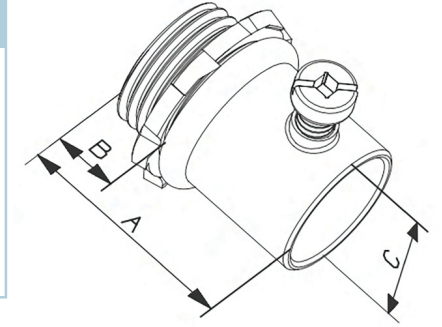


Features & Benefits:

- Used to join EMT to a box or enclosure.
- Concrete-tight when taped.
- Male hub threads - NPSM
- Zinc Die Cast construction.

Certifications: UL-514B

CAT#	TRADE SIZE IN	A LENGTH IN	B LENGTH IN	C DIA IN	WT /100pcs LBS	PACKAGE INFORMATION		
						INNER CASE	MASTER CASE	WT LBS
SC-50S1	1/2"	1.531	.438	1.313	8.69	25	500	44
SC-75S1	3/4"	1.625	.469	1.563	11.99	25	250	30
SC-100S1	1"	2.250	.563	1.938	18.99	25	200	38
SC-125S1	1 1/4"	2.500	.563	2.250	35.76	25	100	36
SC-150S1	1 1/2"	2.750	.563	2.750	41.13	25	100	41
SC-200S1	2"	3.313	.750	3.563	55.12	25	50	28
SC-250S1	2 1/2"	3.813	.938	4.188	116.84		8	10
SC-300S1	3"	3.938	.938	4.688	153.47		6	10
SC-350S1	3 1/2"	4.188	1.000	5.188	193.12		6	12
SC-400S1	4"	3.750	1.050	4.990	214.34		4	9



Set-Screw Type

Insulated Set-Screw Connectors



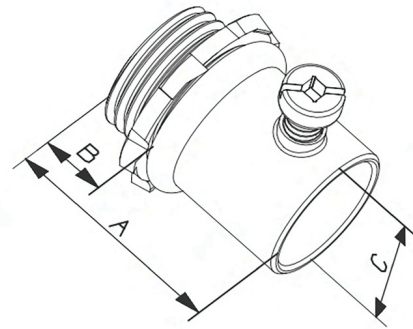
Features & Benefits:

- Used to join EMT to a box or enclosure.
- Concrete-tight when taped.
- Male hub threads - NPSM
- Zinc Die Cast construction.
- Hi-Performance thermoplastic insulator.



Certifications: UL-514B

CAT#	TRADE SIZE IN	A LENGTH IN	B LENGTH IN	C DIA IN	WT /100pcs LBS	PACKAGE INFORMATION		
						INNER CASE	MASTER CASE	WT LBS
SCI-50S1	1/2"	1.531	.438	1.313	8.73	25	500	43.65
SCI-75S1	3/4"	1.625	.469	1.563	11.46	25	250	28.65
SCI-100S1	1"	2.250	.563	1.938	20.12	25	200	40.24
SCI-125S1	1 1/4"	2.500	.563	2.250	35.89	25	100	35.89
SCI-150S1	1 1/2"	2.750	.563	2.750	40.34	10	100	40.34
SCI-200S1	2"	3.313	.750	3.563	55.56	10	50	27.78
SCI-250S1	2 1/2"	3.813	.938	4.188	120.52		8	9.64
SCI-300S1	3"	3.938	.938	4.688	154.81		6	9.29
SCI-350S1	3 1/2"	4.188	1.000	5.188	154.81		6	9.29
SCI-400S1	4"	3.750	1.050	4.990	213.85		4	8.55



Compression Connector



Insulated Set-Screw Connector



EMT Straps

One-Hole EMT Conduit Clamps



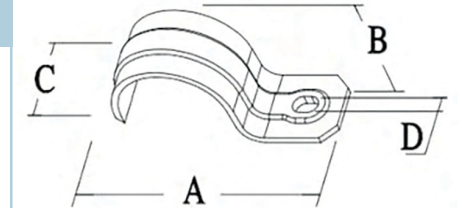
Features & Benefits:

- Indoor or outdoor, use to secure EMT, Rigid or IMC conduit to wood, masonry or where greater load bearing is required.
- Heavy zinc-plated steel construction
- Inverted rib for added strength
- Snap-on strap for use with EMT Conduit
- UL listed - NEMA/ANSI FB-1 Compliant



Certifications: UL2239

CAT#	TRADE SIZE IN	A LENGTH IN	B LENGTH IN	C DIA IN	WT /100pcs LBS	PACKAGE INFORMATION		
						INNER CASE	MASTER CASE	WT LBS
OES-505S	1/2"	1.657	0.752	0.752	0.905	100	1000	9
OES-75S	3/4"	1.937	0.886	0.945	1.18	100	1000	12
OES-100S	1"	2.276	0.886	0.913	2.30	50	500	12
OES-125S	1 1/4"	2.858	0.886	1.051	3.40	25	250	9
OES-150S	1 1/2"	3.126	0.967	1.126	4.16	10	100	4
OES-200S	2"	3.921	1.138	2.020	8.65	10	100	9



Two-Hole EMT Conduit Clamps



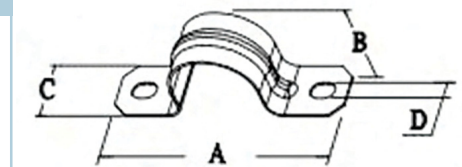
Features & Benefits:

- Indoor or outdoor, use to secure EMT, Rigid or IMC conduit to wood, masonry or where greater load bearing is required.
- Heavy zinc-plated steel construction
- Inverted rib for added strength
- Snap-on strap for use with EMT Conduit
- UL listed - NEMA/ANSI FB-1 Compliant



Certifications: UL2239

CAT#	TRADE SIZE IN	A LENGTH IN	B HEIGHT IN	C WIDTH IN	D DIA IN	WT /100pcs LBS	PACKAGE INFORMATION		
							INNER CASE	MASTER CASE	WT LBS
TES-505S	1/2"	2.46	0.82	0.61	0.19	0.91	100	1000	9
TES-75S	3/4"	2.83	1.07	0.69	0.19	1.18	100	1000	12
TES-100S	1"	3.36	1.35	0.87	0.25	2.30	50	500	12
TES-125S	1 1/4"	4.11	1.69	0.87	0.25	3.40	25	250	9
TES-150S	1 1/2"	4.65	1.96	0.87	0.25	4.16	10	100	4
TES-200S	2"	5.06	2.43	0.99	0.32	8.65	10	100	9



Combination Pull Elbows

Set-Screw Pull Elbow - EMT/RIGID to EMT/RIGID

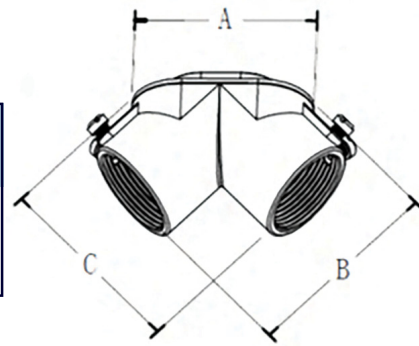
Features & Benefits:

- Pull Elbows are used to connect two lengths of EMT or to connect to a box or enclosure to form a 90° bend.
- Removable Aluminum Cover & Neoprene gasket to facilitate easy wire pulling
- Rain Tight when assembled when used with Rigid Conduit.
- Zinc Die Cast construction.
- Removable Aluminum Cover with Neoprene Gasket to facilitate easy wire pulling.



Certifications: UL-514B

CAT#	TRADE SIZE IN	A LENGTH IN	B DIA IN	C DIA IN	WT /100pcs LBS	PACKAGE INFORMATION		
						INNER CASE	MASTER CASE	WT LBS
PE-50	1/2"	1.76	1.96	1.96	14.50	50	600	87
PE-75	3/4"	2.15	1.25	1.25	14.60	50	600	88
PE-100	1"	3.17	3.05	3.05	21.10		25	5
PE-125	1 1/4"	3.24	3.26	3.26	53.95		20	11



Set-Screw Pull Elbow - EMT/RIGID to Box

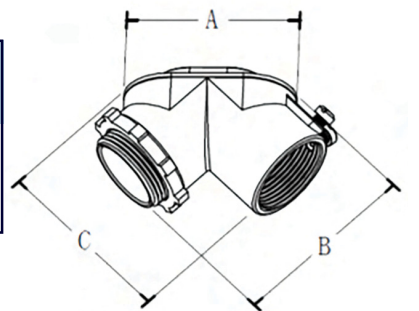
Features & Benefits:

- Pull Elbows are used to connect two lengths of EMT or to connect to a box or enclosure to form a 90° bend.
- Removable Aluminum Cover & Neoprene gasket to facilitate easy wire pulling
- Rain Tight when assembled when used with Rigid Conduit.
- Zinc Die Cast construction.
- Removable Aluminum Cover with Neoprene Gasket to facilitate easy wire pulling.



Certifications: UL-514B

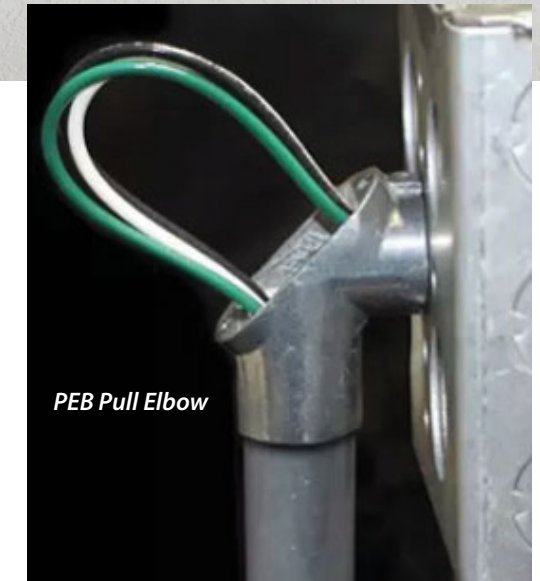
CAT#	TRADE SIZE IN	A LENGTH IN	B DIA IN	C DIA IN	WT /100pcs LBS	PACKAGE INFORMATION		
						INNER CASE	MASTER CASE	WT LBS
PEB-50	1/2"	1.76	1.96	1.96	31.90	10	100	32
PEB-75	3/4"	2.15	2.22	2.22	32.12	5	50	8
PEB-100	1"	3.17	3.05	3.05	53.96		25	14
PEB-125	1 1/4"	3.24	3.35	3.35	82.00		20	21



Installation Examples



TES Two-Hole EMT Clamps



PEB Pull Elbow

Chase Nipples

Rigid and IMC

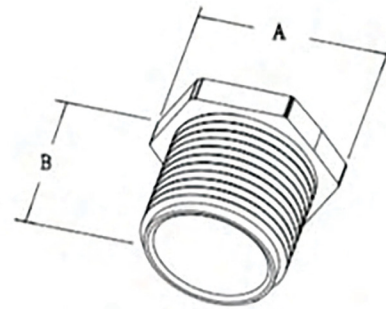


Features & Benefits:

- When used with a locknut, conduit nipples serve as a short raceway between enclosures.
- Concrete Tight.
- Zinc Die Cast construction.

Certifications: UL-514B

CAT#	TRADE SIZE IN	A WIDTH IN	B LENGTH IN	WT /100pcs LBS	PACKAGE INFORMATION		
					INNER CASE	MASTER CASE	WT LBS
CN-50	1/2"	1.04	0.59	2.2	100	1000	22
CN-75	3/4"	1.34	0.72	3.63	50	500	18
CN-100	1"	1.63	0.78	5.04	25	250	13
CN-125	1 1/4"	2.04	0.88	8.03	25	250	20
CN-150	1 1/2"	2.35	0.91	10.63	25	100	11
CN-200	2"	2.79	1.03	15.69	10	40	7
CN-250	2 1/2"	3.43	1.38	33.22	10	40	14
CN-300	3"	4.04	1.38	41.58	10	40	17
CN-350	3 1/2"	4.59	1.38	55.00	5	20	11
CN-400	4"	5.10	1.38	72.27	5	20	16



Reducing Bushings

Rigid and IMC

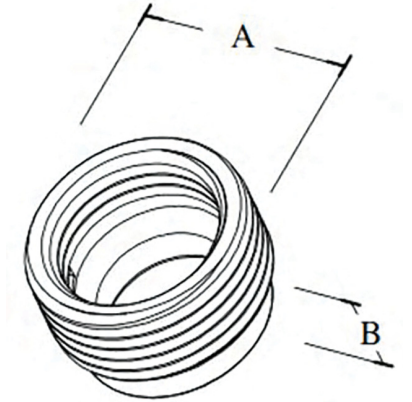


Features & Benefits:

- Used to reduce the entry size of a run of threaded conduit.
- Straight NPSM for male and female.
- Zinc Plated Steel Construction.

Certifications: UL-514B

CAT#	TRADE SIZE IN	A WIDTH IN	B LENGTH IN	WT /100pcs LBS	PACKAGE INFORMATION		
					INNER CASE	MASTER CASE	WT LBS
1161	3/4" - 1/2"	1.04	0.57	1.68	50	1000	17
1162	1" - 1/2"	1.28	0.64	5.46	25	500	28
1163	1" - 3/4"	1.28	0.69	3.02	25	500	15
1164	1 1/4" - 1/2"	1.63	0.69	12.00	25	250	30
1165	1 1/4" - 3/4"	1.63	0.69	9.56	25	3	3
1166	1 1/4" - 1"	1.63	0.69	6.24	25	2	2
1167	1 1/2" - 1/2"	1.86	0.75	20.40	25	5	5
1168	1 1/2" - 3/4"	1.86	0.75	16.92	25	5	5
1169	1 1/2" - 1"	1.86	0.75	12.28	25	3	3
1170	1 1/2" - 1 1/4"	1.86	0.75	5.56	25	2	2
1171	2" - 1/2"	2.33	0.82	30.00	10	3	3
1172	2" - 3/4"	2.33	0.82	35.00	10	4	4
1173	2" - 1"	2.33	0.82	32.00	10	3	3
1174	2" - 1 1/4"	2.33	0.82	22.00	10	2	2
1175	2" - 1 1/2"	2.33	0.82	15.70	10	2	2



Three Piece Couplings

Rigid and IMC

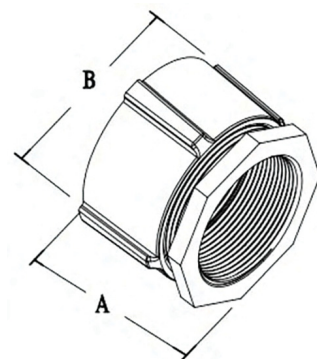


Features & Benefits:

- Used to join two lengths of threaded rigid conduit or IMC, when neither can be rotated.
- Zinc Pated Malleable Iron.

Certifications: UL-514B

CAT#	TRADE SIZE IN	A WIDTH IN	B LENGTH IN	WT /100pcs LBS	PACKAGE INFORMATION		
					INNER CASE	MASTER CASE	WT LBS
R3K-50M	1/2"	1.36	1.31	12.23	20	200	25
R3K-75M	3/4"	1.41	1.57	12.20	10	100	13
R3K-100M	1"	1.62	1.87	25.90	5	50	13
R3K-125M	1 1/4"	1.83	2.28	40.10	5	50	20
R3K-150M	1 1/2"	1.94	2.59	57.03	3	30	17
R3K-200M	2"	2.23	3.14	82.95	2	20	17
R3K-250M	2 1/2"	3.09	3.72	159.80	1	10	16
R3K-300M	3"	3.19	4.37	198.80	1	5	10
R3K-350M	3 1/2"	3.37	4.90	252.20	1	5	13
R3K-400M	4"	3.45	5.44	313.00	1	2	7
R3K-500M	5"	3.58	7.00	700.00	1	1	7
R3K-600M	6"	3.79	8.10	1100.00	1	1	11



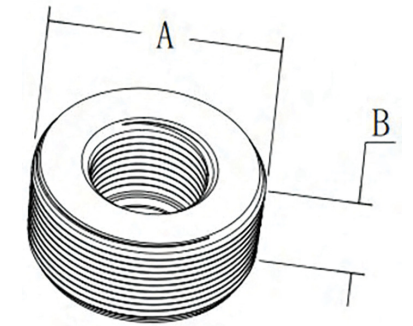
Rigid and IMC

Features & Benefits:

- Used to reduce the entry size of a run of threaded conduit.
- Straight NPSM for male and female.
- Malleable Iron Construction.

Certifications: UL-514B

CAT#	TRADE SIZE IN	A WIDTH IN	B LENGTH IN	WT /100pcs LBS	PACKAGE INFORMATION		
					INNER CASE	MASTER CASE	WT LBS
RB-400200M	4" - 2"	4.51	1.77	500	1	5	5
RB-400300M	4" - 3"	4.51	1.77	300	1	3	3



Grounding Bushings

Rigid and IMC



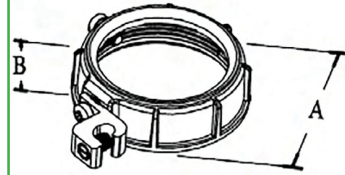
Features & Benefits:

- Used with locknut to terminate threaded rigid conduit or IMC to a box or enclosure.
- Rounded surface of bushing prevents damage to wire insulation during installation.
- Plastic Ring 105°C
- Zinc Die Cast construction.
- Aluminum Grounding Lug.



Certifications: UL-514B & UL467

CAT#	TRADE SIZE IN	GROUND LUG		A WIDTH IN	B HEIGHT IN	WT /100pcs Lbs	PACKAGE INFORMATION		
		MIN SOLID	MAX STRAND				INNER CASE	MASTER CASE	WT LBS
GB-50	1/2"	#14	#4	1.04	0.38	4.88	50	500	24.42
GB-75	3/4"	#14	#4	1.31	0.41	7.04	50	500	35.20
GB-100	1"	#14	#4	1.59	0.50	8.77	25	250	43.87
GB-125-14	1 1/4"	#14	#4	1.96	0.56	10.89	20	200	21.78
GB-150-14	1 1/2"	#14	#4	2.16	0.56	14.30	10	100	14.30
GB-200-14	2 1/2"	#14	#4	2.67	0.66	17.16	10	100	17.16
GB-250	2 1/2"	#14	1/0	3.23	0.75	28.60		50	14.30
GB-300	3"	#14	1/0	3.85	0.75	39.60		50	19.80
GB-350	3 1/2"	#14	1/0	4.36	0.75	43.00		50	21.50
GB-400	4"	#14	1/0	4.87	0.75	66.00		10	6.60



Rigid and IMC



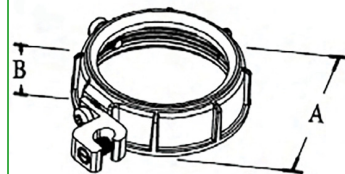
Features & Benefits:

- Used with locknut to terminate threaded rigid conduit or IMC to a box or enclosure.
- Rounded surface of bushing prevents damage to wire insulation during installation.
- Plastic Ring 105°C
- Malleable Iron construction.
- Aluminum Grounding Lug.



Certifications: UL-514B & UL467

CAT#	TRADE SIZE IN	GROUND LUG		A WIDTH IN	B HEIGHT IN	WT /100pcs Lbs	PACKAGE INFORMATION		
		MIN SOLID	MAX STRAND				INNER CASE	MASTER CASE	WT LBS
331M	1/2"	#14	#4	1.08	0.57	3.52	50	500	17.60
332M	3/4"	#14	#4	1.31	0.57	4.20	50	500	21.00
333M	1"	#14	#4	1.61	0.65	6.16	25	250	15.40
334M	1 1/4"	#14	#4	1.91	0.71	7.00	20	200	14.00
335M	1 1/2"	#14	#4	2.16	0.73	9.20	10	100	9.20
336M	2"	#14	#4	2.72	0.73	12.30	10	100	12.30
337M	2 1/2"	#14	1/0	3.23	0.94	30.00		10	3.00
338M	3"	#14	1/0	3.88	0.94	30.00		10	3.00
339M	3 1/2"	#14	1/0	4.43	0.94	43.00		50	21.50
340M	4"	#14	1/0	4.89	0.94	66.00		10	6.60
340AM	5"	#6	250 MCM	6.10	1.14	40.00		10	4.00
340BM	6"	#6	250 MCM	6.10	1.14	60.00		10	6.00



Insulating Plastic Bushings

Rigid and IMC



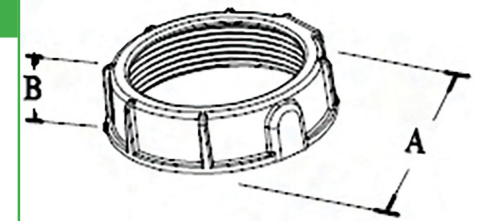
Features & Benefits:

- Used with locknut to terminate threaded rigid conduit or IMC to a box or enclosure.
- Rounded surface of bushing prevents damage to wire insulation.
- 105°C Flame Retardant Thermoplastic construction.



Certifications: UL-514B

CAT#	TRADE SIZE IN	A WIDTH IN	B LENGTH IN	WT /100pcs LBS	PACKAGE INFORMATION		
					INNER Case	MASTER Case	WT LBS
CB-50P	1/2"	1.06	0.43	1.08	100	1000	11
CB-75P	3/4"	1.31	0.43	1.51	100	1000	16
CB-100P	1"	1.59	0.48	3.01	50	500	15
CB-125P	1 1/4"	1.96	0.56	4.30	20	200	9
CB-150P	1 1/2"	2.18	0.56	5.38	20	200	11
CB-200P	2"	2.68	0.59	6.45	20	200	13
CB-250P	2 1/2"	3.25	0.72	17.20		25	5
CB-300P	3"	3.87	0.75	17.20		25	5
CB-350P	3 1/2"	4.37	0.77	43.00		25	11
CB-400P	4"	5.00	0.77	21.50		10	2



Rigid Watertight Hubs

Rigid and IMC



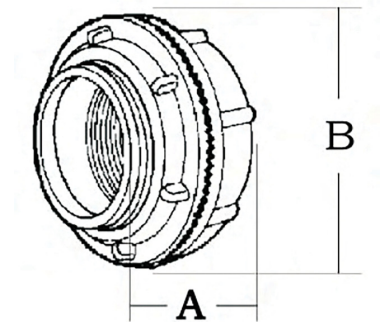
Features & Benefits:

- Conduit Hubs are used to terminate electrical conduit through the walls of enclosure, indoors and outdoors application specifically for food plants, distilleries, breweries, sewage disposal plants, chemical plants, paper mills, and refineries.
- Zinc Plated Malleable Iron construction.
- Thermoplastic Ring rated to 105°C.



Certifications: UL-514B

CAT#	TRADE SIZE IN	A WIDTH IN	B LENGTH IN	WT /100pcs LBS	PACKAGE INFORMATION		
					INNER Case	MASTER Case	WT LBS
TH-050	1/2"	1.31	1.54	9.10	25	250	23
TH-075	3/4"	1.37	1.73	13.42	10	100	14
TH-100	1"	1.59	2.04	17.06	10	100	17
TH-125	1 1/4"	1.59	2.42	26.00	2	20	5
TH-150	1 1/2"	1.59	2.79	34.20	2	20	7
TH-200	2"	1.59	3.30	44.80		10	5
TH-250	2 1/2"	2.44	3.70	69.00		5	4
TH-300	3"	2.44	4.39	84.00		5	44
TH-350	3 1/2"	2.44	4.88	106.00		5	5
TH-400	4"	2.44	5.50	120.00		1	1



Compression Connectors

Rigid and IMC

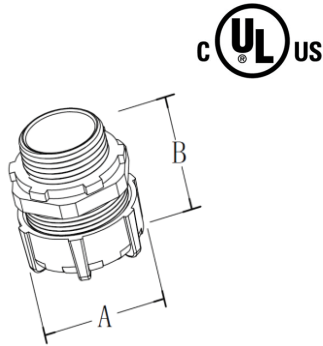


Features & Benefits:

- Rigid Conduit and IMC compression connector are used to join non-threaded rigid conduit or IMC to box or enclosure.
- Concrete Tight.
- Zinc Plated Steel Construction.

Certifications: UL-514B

CAT#	TRADE SIZE	A	B	WT /100pcs LBS	PACKAGE INFORMATION		
	IN	WIDTH IN	LENGTH IN		INNER Case	MASTER Case	WT LBS
RCC-50	1/2"	1.18	1.37	12	25	250	30
RCC-75	3/4"	1.42	1.54	12	25	250	30
RCC-100	1"	1.76	1.75	36	25	100	36
RCC-125	1 1/4"	2.16	2.05	48	5	50	24
RCC-150	1 1/2"	2.38	2.12	78		20	16
RCC-200	2"	3.88	2.16	60		20	12



Insulated Compression Connectors

Rigid and IMC

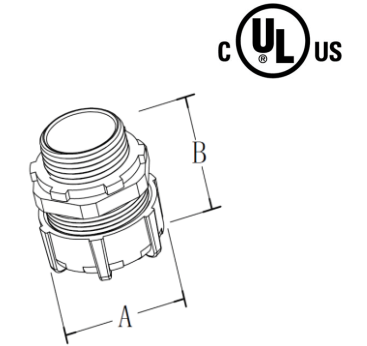


Features & Benefits:

- Rigid Conduit and IMC compression connector are used to join non-threaded rigid conduit or IMC to a box or enclosure.
- Concrete Tight.
- Insulated Throat - Thermoplastic rated to 105°C.
- Zinc Plated Steel Construction.

Certifications: UL-514B

CAT#	TRADE SIZE	A	B	WT /100pcs LBS	PACKAGE INFORMATION		
	IN	WIDTH IN	LENGTH IN		INNER Case	MASTER Case	WT LBS
RCCI-50	1/2"	1.18	1.37	12	25	250	30
RCCI-75	3/4"	1.42	1.54	12	25	250	32
RCCI-100	1"	1.76	1.75	36	25	100	36
RCCI-125	1 1/4"	2.16	2.05	48	5	50	24
RCCI-150	1 1/2"	2.38	2.12	60		20	12
RCCI-200	2"	3.88	2.16	78		20	16



Rigid and IMC

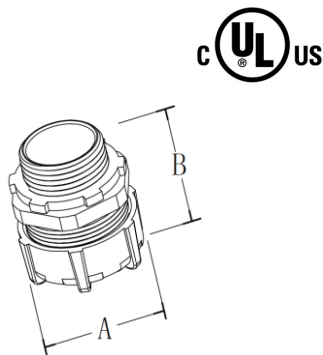


Features & Benefits:

- Rigid Conduit and IMC compression connector are used to join non-threaded rigid conduit or IMC to box or enclosure.
- Concrete Tight.
- Malleable Iron Construction.

Certifications: UL-514B

CAT#	TRADE SIZE	A	B	WT /100pcs LBS	PACKAGE INFORMATION		
	IN	WIDTH IN	LENGTH IN		INNER Case	MASTER Case	WT LBS
RCC-250	2 1/2"	2.83	3.49	200		5	10
RCC-300	3"	4.46	3.69	300		3	9
RCC-350	3 1/2"	5.01	3.73	300		3	9
RCC-400	4"	5.53	3.99	300		3	9



Rigid and IMC

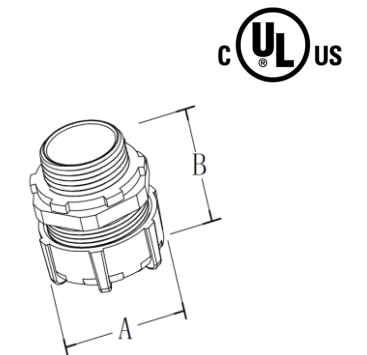


Features & Benefits:

- Rigid Conduit and IMC compression connector are used to join non-threaded rigid conduit or IMC to box or enclosure.
- Concrete Tight.
- Insulated Throat - Thermoplastic rated to 105°C.
- Malleable Iron Construction.

Certifications: UL-514B

CAT#	TRADE SIZE	A	B	WT /100pcs LBS	PACKAGE INFORMATION		
	IN	WIDTH IN	LENGTH IN		INNER Case	MASTER Case	WT LBS
RCCI-250	2 1/2"	2.83	3.49	200		5	10
RCCI-300	3"	4.46	3.69	300		3	9
RCCI-350	3 1/2"	5.01	3.73	300		3	9
RCCI-400	4"	5.53	3.99	300		3	9



Compression Couplings

Rigid and IMC

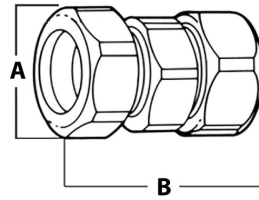


Features & Benefits:

- Rigid Conduit and IMC Compression Couplings are used to joint two length of Rigid Conduit or IMC.
- Concrete tight.
- Zinc Plated Steel Construction.

Certifications: UL-514B

CAT#	TRADE SIZE	A	B	WT /100pcs	PACKAGE INFORMATION		
	IN	WIDTH IN	LENGTH IN		INNER CASE	MASTER CASE	WT LBS
RCP-50	1/2"	1.18	1.72	16	25	250	30
RCP-75	3/4"	1.42	1.99	24	25	250	32
RCP-100	1"	1.76	2.22	36	25	100	36
RCP-125	1 1/4"	2.16	2.48	48	5	50	24
RCP-150	1 1/2"	2.38	2.56	78		20	15
RCP-200	2"	3.88	2.62	60		20	12



Rigid and IMC

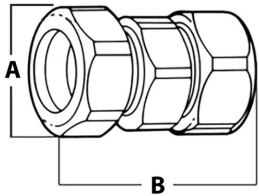


Features & Benefits:

- Rigid Conduit and IMC Compression Couplings are used to joint two length of Rigid Conduit or IMC.
- Concrete tight.
- Malleable Iron Construction.

Certifications: UL-514B

CAT#	TRADE SIZE	A	B	WT /100pcs	PACKAGE INFORMATION		
	IN	WIDTH IN	LENGTH IN		INNER CASE	MASTER CASE	WT LBS
RCC-250	2 1/2"	2.83	3.49	200	5	10	
RCC-300	3"	4.46	3.69	300	3	9	
RCC-350	3 1/2"	5.01	3.73	300	3	9	
RCC-400	4"	5.53	3.99	300	3	9	



Rigid Offset Nipples

Zinc Die Cast 3/4" Offset Nipple

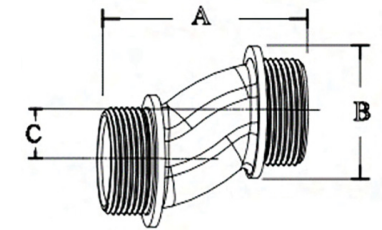


Features & Benefits:

- Used to offset the axis of raceway by 3/4"
- Zinc Die Cast Construction.

Certifications: UL-514B

CAT#	TRADE SIZE	A	B	C	WT /100pcs	PACKAGE INFORMATION		
	IN	LENGTH IN	DIA IN	DIA IN		INNER CASE	MASTER CASE	WT LBS
ON-50	1/2"	2.48	0.95	0.75	11	10	100	11
ON-75	3/4"	2.34	1.18	0.75	11	10	100	11
ON-100	1"	2.67	1.52	0.75	17	10	100	17
ON-125	1 1/4"	2.85	1.81	0.75	34	5	50	17
ON-150	1 1/2"	2.86	2.14	0.75	30	5	50	15
ON-200	2"	2.95	2.60	0.75	72.5	2	20	15



Malleable Iron 3/4" Offset Nipple

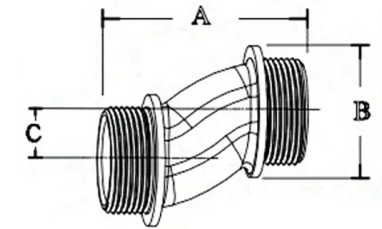


Features & Benefits:

- Used to offset the axis of raceway by 3/4"
- Malleable Iron Construction.

Certifications: UL-514B

CAT#	TRADE SIZE	A	B	C	WT /100pcs	PACKAGE INFORMATION		
	IN	LENGTH IN	DIA IN	DIA IN		INNER CASE	MASTER CASE	WT LBS
ON-250	2 1/2"	3.97	3.26	0.75	80	1	0.80	
ON-300	3"	4.43	3.81	0.75	95	1	0.95	
ON-350	3 1/2"	4.82	4.38	0.75		1		
ON-400	4"	5.04	4.96	0.75		1		



Reducing Washers

Reducing Washer

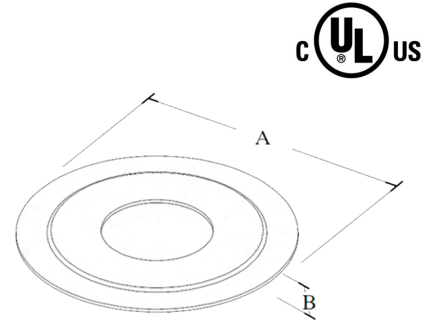


Features & Benefits:

- Used in pairs to reduce the size of knockout holes.
- Reducing washers press firmly into knockout, providing a secure connection.
- Zinc Plated Steel Construction.

Certifications: UL-514B

CAT#	TRADE SIZE IN	A WIDTH IN	B LENGTH IN	WT /100pcs LBS	PACKAGE INFORMATION		
					INNER CASE	MASTER CASE	WT LBS
RW75-50	3/4" - 1/2"	1.44	0.05	0.450	100	1000	4.50
RW100-50	1" - 1/2"	1.74	0.05	0.730	100	1000	0.73
RW100-75	1" - 3/4"	1.74	0.05	0.515	100	1000	5.15
RW125-50	1 1/4" - 1/2"	2.19	0.05	1.330	50	500	6.65
RW125-75	1 1/4" - 3/4"	2.19	0.05	1.050	50	500	5.25
RW125-100	1 1/4" - 1"	2.19	0.05	0.870	50	500	4.35
RW150-50	1 1/2" - 1/2"	2.44	0.05	1.770	50	500	8.85
RW150-75	1 1/2" - 3/4"	2.44	0.05	1.560	50	500	7.80
RW150-100	1 1/2" - 1"	2.44	0.05	1.350	50	500	6.75
RW150-125	1 1/2" - 1 1/4"	2.44	0.05	1.130	50	500	5.65
RW200-50	2" - 1/2"	3.01	0.05	2.720	25	250	6.80
RW200-75	2" - 3/4"	3.01	0.05	2.420	25	250	6.05
RW200-100	2" - 1"	3.01	0.05	2.600	25	250	6.50
RW200-125	2" - 1 1/4"	3.01	0.05	2.280	25	250	5.70
RW200-150	2" - 1 1/2"	3.01	0.05	1.740	25	250	4.30



Locknuts

Rigid and IMC

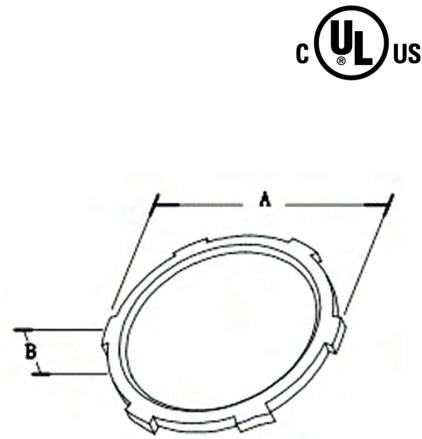


Features & Benefits:

- Used in harsh vibration environments to fasten threaded conduit to non-threaded opening in a box or enclosure
- Tightens without deforming.
- Zinc Plated Steel Construction.

Certifications: UL-514B

CAT#	TRADE SIZE IN	A Width IN	B LENGTH IN	WT /100pcs LBS	PACKAGE INFORMATION		
					INNER CASE	MASTER CASE	WT LBS
LN-50S	1/2"	1.14	0.23	0.485	100	2000	9.70
LN-75S	3/4"	1.39	0.23	0.725	100	1000	7.25
LN-100S	1"	1.73	0.27	1.330	100	1000	13.30
LN-125S	1 1/4"	2.08	0.27	1.560	50	500	7.80
LN-150S	1 1/2"	2.40	0.30	2.080	50	500	10.40
LN-200S	2"	2.91	0.30	3.040	25	250	7.60
LN-250S	2 1/2"	3.46	0.33	5.400	50	500	2.70
LN-300S	3"	4.14	0.33	7.300	50	500	3.65
LN-350S	3 1/2"	4.69	0.33	10.800	25	250	2.70
LN-400S	4"	5.25	0.34	10.800	25	250	2.70



Rigid Straps

Snap-On One Hole Rigid Straps

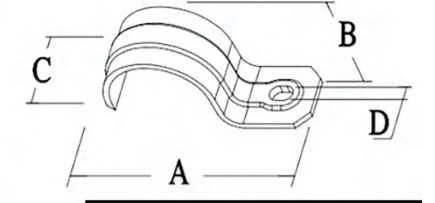


Features & Benefits:

- Used to support rigid conduit and IMC, liquid tight flexible metallic conduit and liquid tight nonmetallic conduit (type B) to mounting surface.
- Zinc Plated Steel Construction

Certifications: UL-2239

CAT#	TRADE SIZE IN	A LENGTH IN	B DIA IN	C WIDTH IN	D HEIGHT IN	WT /100pcs LBS	PACKAGE INFORMATION		
							INNER CASE	MASTER CASE	WT LBS
ORS-50S	1/2"	1.87	0.87	0.63	0.25	1.54	50	500	8
ORS-75S	3/4"	2.23	1.05	0.74	0.31	2.22	50	500	11
ORS-100S	1"	2.60	1.29	0.87	0.36	3.71	50	250	10
ORS-125S	1 1/4"	2.98	1.62	0.87	0.36	3.71	25	250	10
ORS-150S	1 1/2"	3.54	1.81	1.00	0.43	3.71	25	250	10
ORS-200S	2"	4.14	2.28	1.13	0.54	3.96	25	250	10
ORS-250S	2 1/2"	4.96	2.89	1.24	0.57	17.70	--	50	9
ORS-300S	3"	5.60	3.39	1.24	0.57	23.60	--	25	6
ORS-350S	3 1/2"	6.26	3.91	1.24	0.57	23.60	--	25	6
ORS-400S	4"	6.77	4.31	1.24	0.57	28.40	--	25	7



Snap-On Two Hole Rigid Straps

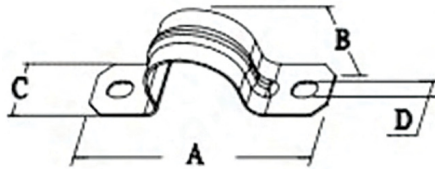


Features & Benefits:

- Used to support rigid conduit and IMC, liquid tight flexible metallic conduit and liquid tight nonmetallic conduit (Type B) to mounting surface.
- Zinc Plated Steel Construction

Certifications: UL-2239

CAT#	TRADE SIZE IN	A LENGTH IN	B DIA IN	C WIDTH IN	D HEIGHT IN	WT /100pcs LBS	PACKAGE INFORMATION		
							INNER CASE	MASTER CASE	WT LBS
TRS-50S	1/2"	2.46	0.82	0.61	0.19	0.8	50	500	4
TRS-75S	3/4"	2.83	1.07	0.69	0.25	1.5	50	500	8
TRS-100S	1"	3.36	1.35	0.87	0.25	1.6	25	250	4
TRS-125S	1 1/4"	4.11	1.69	0.87	0.25	2.5	20	200	5
TRS-150S	1 1/2"	4.65	1.96	0.87	0.25	3.5	10	100	3.5
TRS-200S	2"	5.06	2.43	0.99	0.32	10.4	50	500	5.2
TRS-250S	2 1/2"	5.77	2.91	0.99	0.38	10.40	25	250	2.6
TRS-300S	3"	6.24	3.54	0.99	0.38	12.08	25	250	3
TRS-350S	3 1/2"	7.19	4.02	0.99	0.38	15.92	25	250	4
TRS-400S	4"	7.76	4.52	0.99	0.38	15.92	25	250	4



Conduit Bodies

Set Screw LB Type - EMT with Cover and Gasket

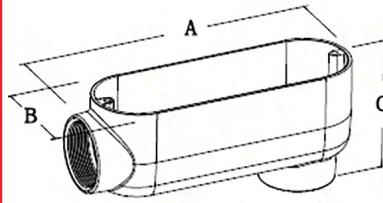


Features & Benefits:

- Acts as pull outlets for conductors being installed and allows for changing direction and making bends in a conduit system.
- Die-cast copper-free aluminum construction is lightweight and corrosion resistant for long reliable service.
- Epoxy powder coat finish provides additional corrosion resistance.
- Rated for wet locations when used with cover and gasket to join threaded rigid conduit.
- Copper-free Aluminum construction with Aluminum covers and Neoprene gaskets and stainless steel screws.

Certifications: UL-514A

CAT#	TRADE SIZE	WIRE		A LENGTH IN	B WIDTH IN	C DEPTH IN	WT /100pcs LBS	PACKAGE INFORMATION		
		MAX QTY	MAX SIZE					INNER CASE	MASTER CASE	WT LBS
LBE-50SC	1/2"	1	6 AWG	4.30	1.34	2.15	34	10	100	34
LBE-75SC	3/4"	2	6 AWG	5.09	1.54	2.43	46	10	50	23
LBE-100SC	1"	3	6 AWG	5.92	1.74	2.77	76	5	25	19
LBE-125SC	1 1/4"	3	2 AWG	7.89	2.49	3.67	140	2	10	14
LBE-150SC	1 1/2"	3	2 AWG	7.89	2.49	3.67	150	2	10	15
LBE-200SC	2"	3	2/0 AWG	10.13	3.10	4.28	140	1	5	14
LBE-250SC	2 1/2"	3	2/0 AWG	12.50	4.45	5.44	148	1	1	2
LBE-300SC	3"	3	4/0 AWG	12.50	4.45	5.68	161	1	1	2
LBE-350SC	3 1/2"	3	500 MCM	15.50	5.50	6.92	260	1	1	3
LBE-400SC	4"	3	500 MCM	15.50	5.50	6.92	277	1	1	3



Threaded LB Type - RIGID with Cover and Gasket

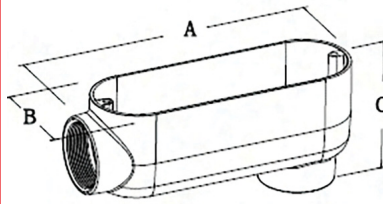


Features & Benefits:

- Acts as pull outlets for conductors being installed and allows for changing direction and making bends in a conduit system.
- Die-cast copper-free aluminum construction is lightweight and corrosion resistant for long reliable service.
- Epoxy powder coat finish provides additional corrosion resistance.
- Rated for wet locations when used with cover and gasket to join threaded rigid conduit.
- Copper-free Aluminum construction with Aluminum covers and Neoprene gaskets and stainless steel screws.

Certifications: UL-514A

CAT#	TRADE SIZE	WIRE		A LENGTH IN	B WIDTH IN	C DEPTH IN	WT /100pcs LBS	PACKAGE INFORMATION		
		MAX QTY	MAX SIZE					INNER CASE	MASTER CASE	WT LBS
LB-50SC	1/2"	1	6 AWG	4.30	1.34	2.15	28	10	100	28
LB-75SC	3/4"	2	6 AWG	5.09	1.54	2.43	38	10	50	38
LB-100SC	1"	3	6 AWG	5.92	1.74	2.77	79	5	25	20
LB-125SC	1 1/4"	3	2 AWG	7.89	2.49	3.67	140	2	10	14
LB-150SC	1 1/2"	3	2 AWG	7.89	2.49	3.67	150	2	10	15
LB-200SC	2"	3	2/0 AWG	10.13	3.10	4.28	280	1	5	14
LB-250SC	2 1/2"	3	2/0 AWG	12.50	4.45	5.44	148	1	1	1.5
LB-300SC	3"	3	4/0 AWG	12.50	4.45	5.68	161	1	1	2
LB-350SC	3 1/2"	3	500 MCM	15.50	5.50	6.92	260	1	1	3
LB-400SC	4"	3	500 MCM	15.50	5.50	6.92	277	1	1	3



Conduit Bodies

LB Type - COMBO (EMT/RIGID/IMC)

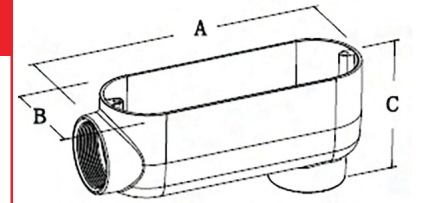


Features & Benefits:

- Acts as pull outlets for conductors being installed and allows for changing direction and making bends in a conduit system.
- Die-cast copper-free aluminum construction is lightweight and corrosion resistant for long reliable service.
- Epoxy powder coat finish provides additional corrosion resistance.
- Rated for wet locations when used with cover and gasket to join threaded rigid conduit.
- Copper-free Aluminum construction with Aluminum covers and Neoprene gaskets and stainless steel screws.

Certifications: UL-514A

CAT#	TRADE SIZE	WIRE		A LENGTH IN	B WIDTH IN	C DEPTH IN	WT /100pcs LBS	PACKAGE INFORMATION		
		MAX QTY	MAX SIZE					INNER CASE	MASTER CASE	WT LBS
LBC-50SC	1/2"	1	6 AWG	4.30	1.34	2.15	28	10	100	28
LBC-75SC	3/4"	2	6 AWG	5.09	1.54	2.43	38	10	50	19
LBC-100SC	1"	3	6 AWG	5.92	1.74	2.77	80	5	25	20
LBC-125SC	1 1/4"	3	2 AWG	7.89	2.49	3.67	140	2	10	14
LBC-150SC	1 1/2"	3	2 AWG	7.89	2.49	3.67	150	2	10	15
LBC-200SC	2"	3	2/0 AWG	10.13	3.10	4.28	280	1	5	14



Threaded C Type - RIGID with Cover and Gasket

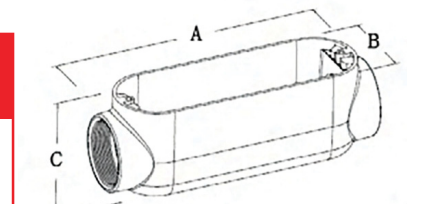


Features & Benefits:

- Acts as pull outlets for conductors being installed and allows for changing direction and making bends in a conduit system.
- Die-cast copper-free aluminum construction is lightweight and corrosion resistant for long reliable service.
- Epoxy powder coat finish provides additional corrosion resistance.
- Rated for wet locations when used with cover and gasket to join threaded rigid conduit.
- Copper-free Aluminum construction with Aluminum covers and Neoprene gaskets and stainless steel screws.

Certifications: UL-514A

CAT#	TRADE SIZE	WIRE		A LENGTH IN	B WIDTH IN	C DEPTH IN	WT /100pcs LBS	PACKAGE INFORMATION		
		MAX QTY	MAX SIZE					INNER CASE	MASTER CASE	WT LBS
C-250SC	2 1/2"	3	2/0 AWG	13.27	4.41	4.75	148	1	1	2
C-300SC	3"	3	4/0 AWG	13.27	4.41	4.75	161	1	1	2
C-350SC	3 1/2"	3	500 MCM	16.14	5.46	5.87	260	1	1	3
C-400SC	4"	3	500 MCM	16.14	5.46	5.87	277	1	1	3

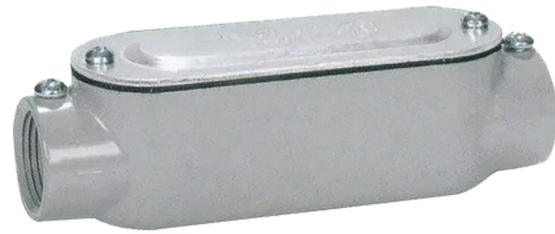


Conduit Bodies

C Type - COMBO (EMT/RIGID/IMC) with Cover and Gasket

Features & Benefits:

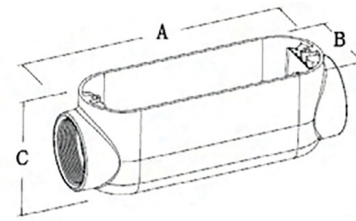
- Acts as pull outlets for conductors being installed and allows for changing direction and making bends in a conduit system.
- Die-cast copper-free aluminum construction is lightweight and corrosion resistant for long reliable service.
- Epoxy powder coat finish provides additional corrosion resistance.
- Rated for wet locations when used with cover and gasket to join threaded rigid conduit.
- Copper-free Aluminum construction with Aluminum covers and Neoprene gaskets and stainless steel screws.



Certifications: UL-514A



CAT#	TRADE SIZE	MAX QTY	WIRE MAX SIZE	A LENGTH IN	B WIDTH IN	C DEPTH IN	WT /100pcs LBS	PACKAGE INFORMATION		
								INNER CASE	MASTER CASE	WT LBS
CC-50SC	1/2"	1	6 AWG	4.75	1.34	1.34	28	10	100	28
CC-75SC	3/4"	2	6 AWG	5.61	1.54	1.59	38	10	50	19
CC-100SC	1"	3	6 AWG	6.46	1.79	1.90	80	5	25	20
CC-125SC	1 1/4"	3	2 AWG	8.11	2.50	2.51	140	2	10	14
CC-150SC	1 1/2"	3	2 AWG	8.11	2.50	2.67	150	2	10	15
CC-200SC	2"	3	2/0 AWG	10.52	3.13	3.36	280	1	5	14



Threaded LL Type - RIGID with Cover and Gasket

Features & Benefits:

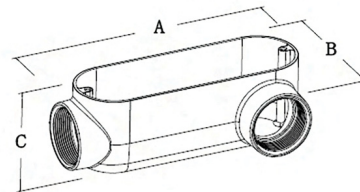
- Acts as pull outlets for conductors being installed and allows for changing direction and making bends in a conduit system.
- Die-cast copper-free aluminum construction is lightweight and corrosion resistant for long reliable service.
- Epoxy powder coat finish provides additional corrosion resistance.
- Rated for wet locations when used with cover and gasket to join threaded rigid conduit.
- Copper-free Aluminum construction with Aluminum covers and Neoprene gaskets and stainless steel screws.



Certifications: UL-514A



CAT#	TRADE SIZE	MAX QTY	WIRE MAX SIZE	A LENGTH IN	B WIDTH IN	C DEPTH IN	WT /100pcs LBS	PACKAGE INFORMATION		
								INNER CASE	MASTER CASE	WT LBS
LL-50SC	1/2"	1	6 AWG	4.39	2.04	1.34	34	10	100	34
LL-75SC	3/4"	2	6 AWG	5.14	2.29	1.59	46	10	50	23
LL-100SC	1"	3	6 AWG	5.91	2.65	1.90	76	5	25	19
LL-125SC	1 1/4"	3	2 AWG	7.68	3.42	2.51	140	2	10	14
LL-150SC	1 1/2"	3	2 AWG	7.68	3.42	2.67	150	2	10	15
LL-200SC	2"	3	2/0 AWG	10.04	4.19	3.36	140	1	5	14
LL-250SC	2 1/2"	3	2/0 AWG	12.71	4.41	4.44	148	1	2	2
LL-300SC	3"	3	4/0 AWG	12.71	4.41	4.44	161	1	2	2
LL-350SC	3 1/2"	3	500 MCM	15.02	5.46	5.58	260	1	3	3
LL-400SC	4"	3	500 MCM	15.02	5.46	5.58	277	1	3	3



Conduit Bodies

LLC Type - COMBO (EMT/RIGID/IMC) with Cover and Gasket

Features & Benefits:

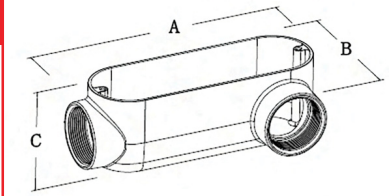
- Acts as pull outlets for conductors being installed and allows for changing direction and making bends in a conduit system.
- Die-cast copper-free aluminum construction is lightweight and corrosion resistant for long reliable service.
- Epoxy powder coat finish provides additional corrosion resistance.
- Rated for wet locations when used with cover and gasket to join threaded rigid conduit.
- Copper-free Aluminum construction with Aluminum covers and Neoprene gaskets and stainless steel screws.



Certifications: UL-514A



CAT#	TRADE SIZE	MAX QTY	WIRE MAX SIZE	A LENGTH IN	B WIDTH IN	C DEPTH IN	WT /100pcs LBS	PACKAGE INFORMATION		
								INNER CASE	MASTER CASE	WT LBS
LLC-50SC	1/2"	1	6 AWG	4.39	2.04	1.34	36	10	100	36
LLC-75SC	3/4"	2	6 AWG	5.14	2.29	1.59	46	10	50	23
LLC-100SC	1"	3	6 AWG	5.91	2.65	1.90	76	5	25	19
LLC-125SC	1 1/4"	3	2 AWG	7.68	3.42	2.51	150	2	10	15
LLC-150SC	1 1/2"	3	2 AWG	7.68	3.42	2.67	160	2	10	16
LLC-200SC	2"	3	2/0 AWG	10.04	4.19	3.36	280	1	5	14



Threaded LR Type - RIGID with Cover and Gasket

Features & Benefits:

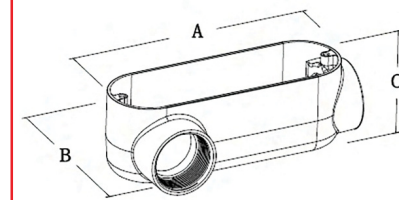
- Acts as pull outlets for conductors being installed and allows for changing direction and making bends in a conduit system.
- Die-cast copper-free aluminum construction is lightweight and corrosion resistant for long reliable service.
- Epoxy powder coat finish provides additional corrosion resistance.
- Rated for wet locations when used with cover and gasket to join threaded rigid conduit.
- Copper-free Aluminum construction with Aluminum covers and Neoprene gaskets and stainless steel screws.



Certifications: UL-514A



CAT#	TRADE SIZE	MAX QTY	WIRE MAX SIZE	A LENGTH IN	B WIDTH IN	C DEPTH IN	WT /100pcs LBS	PACKAGE INFORMATION		
								INNER CASE	MASTER CASE	WT LBS
LR-50SC	1/2"	1	6 AWG	4.39	2.04	1.34	34	10	100	34
LR-75SC	3/4"	2	6 AWG	5.14	2.29	1.59	46	10	50	23
LR-100SC	1"	3	6 AWG	5.91	2.65	1.90	76	5	25	19
LR-125SC	1 1/4"	3	2 AWG	7.68	3.42	2.51	140	2	10	14
LR-150SC	1 1/2"	3	2 AWG	7.68	3.42	2.67	150	2	10	15
LR-200SC	2"	3	2/0 AWG	10.04	4.19	3.36	140	1	5	14
LR-250SC	2 1/2"	3	2/0 AWG	12.71	4.41	4.44	148	1	2	2
LR-300SC	3"	3	4/0 AWG	12.71	4.41	4.44	161	1	2	2
LR-350SC	3 1/2"	3	500 MCM	15.02	5.46	5.58	260	1	3	3
LR-400SC	4"	3	500 MCM	15.02	5.46	5.58	277	1	3	3



Conduit Bodies

LRC Type - COMBO (EMT/RIGID/IMC) with Cover and Gasket

Features & Benefits:

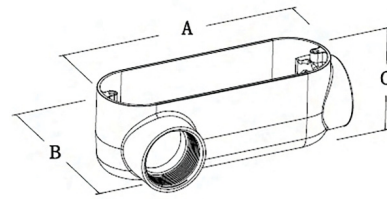
- Acts as pull outlets for conductors being installed and allows for changing direction and making bends in a conduit system.
- Die-cast copper-free aluminum construction is lightweight and corrosion resistant for long reliable service.
- Epoxy powder coat finish provides additional corrosion resistance.
- Rated for wet locations when used with cover and gasket to join threaded rigid conduit.
- Copper-free Aluminum construction with Aluminum covers and Neoprene gaskets and stainless steel screws.



Certifications: UL-514A



CAT#	TRADE SIZE	WIRE		A LENGTH IN	B WIDTH IN	C DEPTH IN	WT /100pcs LBS	PACKAGE INFORMATION		
		MAX QTY	MAX SIZE					INNER CASE	MASTER CASE	WT LBS
LRC-50SC	1/2"	1	6 AWG	4.39	2.04	1.34	36	10	100	36
LRC-75SC	3/4"	2	6 AWG	5.14	2.29	1.59	46	10	50	23
LRC-100SC	1"	3	6 AWG	5.91	2.65	1.90	76	5	25	19
LRC-125SC	1 1/4"	3	2 AWG	7.68	3.42	2.51	150	2	10	15
LRC-150SC	1 1/2"	3	2 AWG	7.68	3.42	2.67	160	2	10	16
LRC-200SC	2"	3	2/0 AWG	10.04	4.19	3.36	280	1	5	14



LLRC Type - COMBO (EMT/RIGID/IMC) with Cover and Gasket

Features & Benefits:

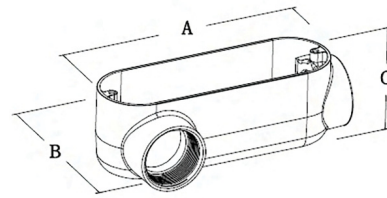
- Acts as pull outlets for conductors being installed and allows for changing direction and making bends in a conduit system.
- Die-cast copper-free aluminum construction is lightweight and corrosion resistant for long reliable service.
- Epoxy powder coat finish provides additional corrosion resistance.
- Rated for wet locations when used with cover and gasket to join threaded rigid conduit.
- Copper-free Aluminum construction with Aluminum covers and Neoprene gaskets and stainless steel screws.



Certifications: UL-514A



CAT#	TRADE SIZE	WIRE		A LENGTH IN	B WIDTH IN	C DEPTH IN	WT /100pcs LBS	PACKAGE INFORMATION		
		MAX QTY	MAX SIZE					INNER CASE	MASTER CASE	WT LBS
LLRC-50SC	1/2"	1	6 AWG	4.39	2.04	1.34	36	10	60	26
LLRC-75SC	3/4"	2	6 AWG	5.14	2.29	1.59	46	10	60	26
LLRC-100SC	1"	3	6 AWG	5.91	2.65	1.90	76	5	30	22
LLRC-125SC	1 1/4"	3	2 AWG	7.68	3.42	2.51	150	5	30	22
LLRC-150SC	1 1/2"	3	2 AWG	7.68	3.42	2.67	160	2	10	8
LRC-200SC	2"	3	2/0 AWG	10.04	4.19	3.36	280	1	5	4



Conduit Bodies

Threaded T Type - RIGID with Cover and Gasket

Features & Benefits:

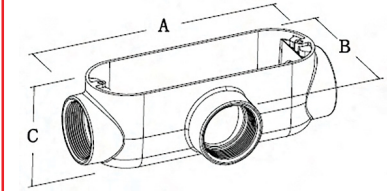
- Acts as pull outlets for conductors being installed and allows for changing direction and making bends in a conduit system.
- Die-cast copper-free aluminum construction is lightweight and corrosion resistant for long reliable service.
- Epoxy powder coat finish provides additional corrosion resistance.
- Rated for wet locations when used with cover and gasket to join threaded rigid conduit.
- Copper-free Aluminum construction with Aluminum covers and Neoprene gaskets and stainless steel screws.



Certifications: UL-514A



CAT#	TRADE SIZE	WIRE		A LENGTH IN	B WIDTH IN	C DEPTH IN	WT /100pcs LBS	PACKAGE INFORMATION		
		MAX QTY	MAX SIZE					INNER CASE	MASTER CASE	WT LBS
T-50SC	1/2"	1	6 AWG	4.75	2.04	1.34	34	10	100	34
T-75SC	3/4"	2	6 AWG	5.61	2.29	1.59	46	10	50	23
T-100SC	1"	3	6 AWG	6.46	2.65	1.90	76	5	25	19
T-125SC	1 1/4"	3	2 AWG	8.11	3.42	2.51	140	2	10	14
T-150SC	1 1/2"	3	2 AWG	8.11	3.42	2.67	150	2	10	15
T-200SC	2"	3	2/0 AWG	10.52	4.19	3.36	140	1	5	14
T-250SC	2 1/2"	3	2/0 AWG	13.27	4.41	4.75	148	1	2	2
T-300SC	3"	3	4/0 AWG	13.27	4.41	4.75	161	1	2	2
T-350SC	3 1/2"	3	500 MCM	16.14	5.46	5.87	260	1	3	3
T-400SC	4"	3	500 MCM	16.14	5.46	5.87	277	1	3	3



T Type - COMBO (EMT/RIGID/IMC) with Cover and Gasket

Features & Benefits:

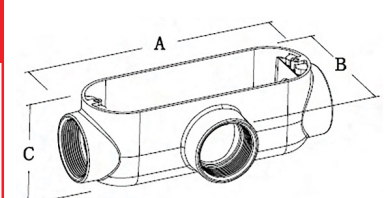
- Acts as pull outlets for conductors being installed and allows for changing direction and making bends in a conduit system.
- Die-cast copper-free aluminum construction is lightweight and corrosion resistant for long reliable service.
- Epoxy powder coat finish provides additional corrosion resistance.
- Rated for wet locations when used with cover and gasket to join threaded rigid conduit.
- Copper-free Aluminum construction with Aluminum covers and Neoprene gaskets and stainless steel screws.



Certifications: UL-514A



CAT#	TRADE SIZE	WIRE		A LENGTH IN	B WIDTH IN	C DEPTH IN	WT /100pcs LBS	PACKAGE INFORMATION		
		MAX QTY	MAX SIZE					INNER CASE	MASTER CASE	WT LBS
TC-50SC	1/2"	1	6 AWG	4.75	2.04	1.34	36	10	100	36
TC-75SC	3/4"	2	6 AWG	5.61	2.29	1.59	46	10	50	23
TC-100SC	1"	3	6 AWG	6.46	2.65	1.90	76	5	25	19
TC-125SC	1 1/4"	3	2 AWG	8.11	3.42	2.51	150	2	10	15
TC-150SC	1 1/2"	3	2 AWG	8.11	3.42	2.67	160	2	10	16
TC-200SC	2"	3	2/0 AWG	10.52	4.19	3.36	280	1	5	14



Non-Metallic Liquidtight Fittings

Straight Connectors



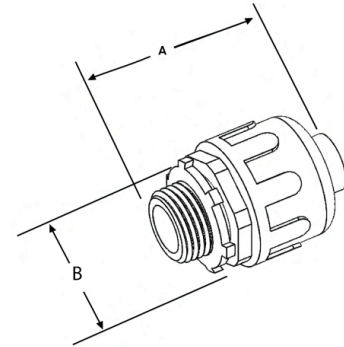
Features & Benefits:

- Liquid-tight connectors are used to terminate and seal Liquid-Tight Flexible Type B Non-Metallic Conduit to either an oil-tight, liquid-tight or rain-tight box or enclosure.
- Resists salt water, weak acids, gasoline, alcohol, oil, grease and common solvents.
- For use in dry or wet locations.
- No disassembly required.
- Reusable.
- Constructed with 6/6 Nylon
- Straight Type - Gray



Certifications: UL-514B

CAT#	TRADE SIZE	A	B	WT	PACKAGE INFORMATION		
	IN	Width IN	LENGTH IN	/100pcs LBS	INNER CASE	MASTER CASE	WT LBS
NMLT-1038	3/8"	2.04	1.43	2.50	25	100	2.50
NMLT-1050	1/2"	2.11	1.43	2.50	25	100	2.50
NMLT-1075	3/4"	2.20	1.68	3.40	25	100	3.40
NMLT-1100	1"	2.28	1.99	5.80	5	50	2.90
NMLT-1125	1 1/4"	2.46	2.39	8.20	5	25	2.05
NMLT-1150	1 1/2"	2.72	2.65	10.80	2	10	1.08
NMLT-1200	2"	3.05	3.22	18.20	2	10	1.82



90° Connectors



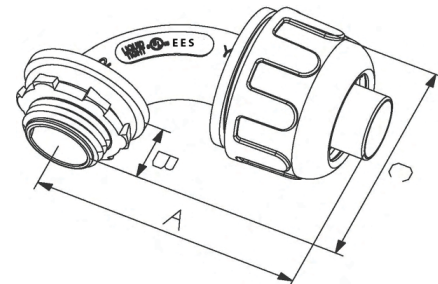
Features & Benefits:

- Liquid-tight connectors are used to terminate and seal Liquid-Tight Flexible Type B Non-Metallic Conduit to either an oil-tight, liquid-tight or rain-tight box or enclosure.
- Resists salt water, weak acids, gasoline, alcohol, oil, grease and common solvents.
- For use in dry or wet locations.
- No disassembly required.
- Reusable.
- Constructed with 6/6 Nylon
- Straight Type - Gray



Certifications: UL-514B

CAT#	TRADE SIZE	A	B	C	WT	PACKAGE INFORMATION		
	IN	LENGTH IN	LENGTH IN	LENGTH IN	/100pcs LBS	INNER CASE	MASTER CASE	WT LBS
NMLT-9038	3/8"	2.84	0.50	2.03	2.80	10	100	2.80
NMLT-9050	1/2"	2.84	0.50	2.03	2.80	10	100	2.80
NMLT-9075	3/4"	3.25	0.50	2.33	4.00	10	100	4.00
NMLT-9100	1"	3.54	0.60	2.95	7.40	10	50	3.70
NMLT-9125	1 1/4"	4.75	0.76	5.20	12.80	5	25	3.20
NMLT-9150	1 1/2"	4.75	0.80	5.20	15.60	2	10	1.56
NMLT-9200	2"	5.40	0.86	5.80	25.60	2	10	2.56



Metallic Liquidtight Fittings

Zinc Die Cast Straight Connectors



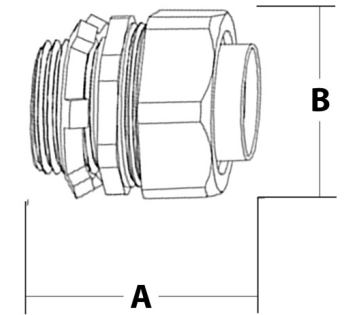
Features & Benefits:

- Used to terminate and seal Liquid-Tight Flexible Metallic and Non-Metallic Type B Conduits to either an oil-tight, liquid-tight or rain-tight box or enclosure.
- Connectors can be used with tapered thread female entry or non-threaded knock-out using the provided sealing washer and locknut.
- For use in dry or wet locations.
- No disassembly required.
- Reusable.
- Zinc Die Cast Construction.



Certifications: UL-514B

CAT#	TRADE SIZE	A	B	WT	PACKAGE INFORMATION		
	IN	Width IN	LENGTH IN	/100pcs LBS	INNER CASE	MASTER CASE	WT LBS
LT-38	3/8"	1.24	1.28	7.00	20	200	14.00
LT-50	1/2"	1.32	1.34	7.02	20	200	14.04
LT-75	3/4"	1.35	1.62	8.40	10	100	8.40
LT-100	1"	1.71	1.92	14.40	5	50	7.70
LT-125	1 1/4"	1.84	2.35	21.40	5	50	10.70
LT-150	1 1/2"	1.86	2.63	26.42	2	20	1.08
LT-200	2"	1.95	3.18	35.91	2	20	1.82
LT-250	2 1/2"	2.69	3.52	64.00	1	5	3.20
LT-300	3"	2.90	4.24	90.00	1	5	4.50
LT-400	4"	3.18	5.31	136.00	1	5	6.80



Zinc Die Cast 90° Connectors



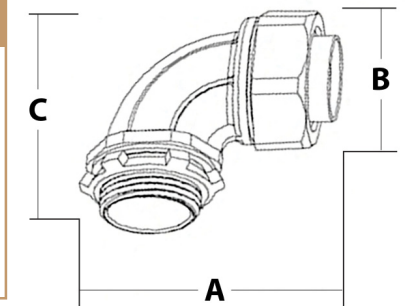
Features & Benefits:

- Used to terminate and seal Liquid-Tight Flexible Metallic and Non-Metallic Type B Conduits to either an oil-tight, liquid-tight or rain-tight box or enclosure.
- Connectors can be used with tapered thread female entry or non-threaded knock-out using the provided sealing washer and locknut.
- For use in dry or wet locations.
- No disassembly required.
- Reusable.
- Zinc Die Cast Construction.



Certifications: UL-514B

CAT#	TRADE SIZE	A	B	C	WT	PACKAGE INFORMATION		
	IN	LENGTH IN	WIDTH IN	LENGTH IN	/100pcs LBS	INNER CASE	MASTER CASE	WT LBS
LT90-38	3/8"	2.40	1.28	1.99	7.55	10	100	7.55
LT90-50	1/2"	2.42	1.34	2.08	7.62	10	100	7.62
LT90-75	3/4"	2.50	1.62	2.36	10.18	10	100	10.18
LT90-100	1"	3.08	1.92	2.19	20.52	5	50	10.26
LT90-125	1 1/4"	3.63	2.35	3.29	34.20	2	20	6.84
LT90-150	1 1/2"	3.98	2.63	3.72	41.28	2	20	8.26
LT90-200	2"	4.75	3.18	4.36	57.56	1	10	5.76
LT90-250	2 1/2"	5.60	3.52	5.20	94.80	1	5	0.95
LT90-300	3"	6.47	4.24	5.91	133.40	1	5	1.33
LT90-400	4"	7.56	5.31	6.93	220.00	1	5	2.20



Metallic Liquidtight Fittings

Malleable Iron Straight Connectors with Insulated Throat



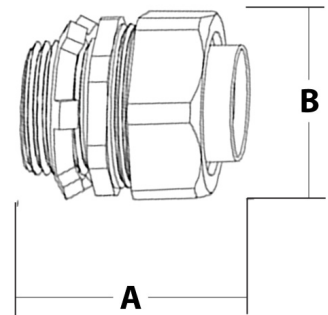
Features & Benefits:

- Used to terminate and seal Liquid-Tight Flexible Metallic and Non-Metallic Type B Conduits to either an oil-tight, liquid-tight or rain-tight box or enclosure.
- Connectors can be used with tapered thread female entry or non-threaded knock-out using the provided sealing washer and locknut.
- For use in dry or wet locations.
- No disassembly required.
- Reusable.
- Malleable Iron Construction.



Certifications: UL-514B

CAT#	TRADE SIZE	A	B	WT	PACKAGE INFORMATION		
	IN	Width IN	LENGTH IN	/100pcs LBS	INNER CASE	MASTER CASE	WT LBS
470S	3/8"	1.18	1.72	15.5	20	200	31
471S	1/2"	1.36	1.73	16.5	20	200	33
472S	3/4"	1.61	1.81	25	10	100	25
473S	1"	1.89	1.85	36	5	50	18
474S	1 1/4"	2.39	2.06	56	5	50	28
475S	1 1/2"	2.62	3.38	75	2	20	15
476S	2"	3.24	2.49	110	2	20	22
477S	2 1/2"	3.89	3.21	200	1	1	2
478S	3"	4.74	3.37	300	1	1	3
479S	3 1/2"	5.31	3.40	400	1	1	4
480S	4"	5.82	3.68	500	1	1	5



Metallic Liquidtight Fittings

Malleable Iron 90° Connectors with Insulated Throat



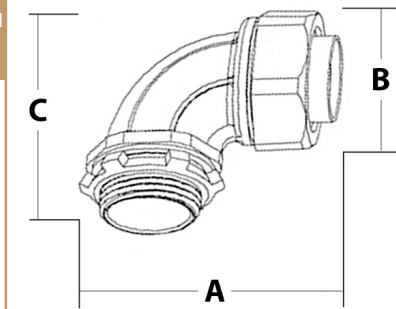
Features & Benefits:

- Used to terminate and seal Liquid-Tight Flexible Metallic and Non-Metallic Type B Conduits to either an oil-tight, liquid-tight or rain-tight box or enclosure.
- Connectors can be used with tapered thread female entry or non-threaded knock-out using the provided sealing washer and locknut.
- For use in dry or wet locations.
- No disassembly required.
- Reusable.
- 90° Bend Radius.
- Malleable Iron Construction.



Certifications: UL-514B

CAT#	TRADE SIZE	A	B	C	WT	PACKAGE INFORMATION		
	IN	Length IN	Width IN	Length IN	/100pcs LBS	INNER CASE	MASTER CASE	WT LBS
490S	3/8"	1.18	1.96	2.47	26	10	100	26
491S	1/2"	1.36	2.10	2.54	28	10	100	28
492S	3/4"	1.61	2.45	2.82	41	10	100	41
493S	1"	1.89	2.83	3.08	62	5	50	31
494S	1 1/4"	2.39	3.15	3.53	100	2	20	20
495S	1 1/2"	2.62	3.50	4.17	125	2	20	25
496S	2"	3.24	4.02	4.69	190	1	10	19
497S	2 1/2"	3.89	6.23	6.74	500	1	1	5
498S	3"	4.74	6.91	7.52	700	1	1	7
499S	3 1/2"	5.31	7.57	7.93	900	1	1	9
500S	4"	5.82	8.07	8.72	1400	1	1	14



Malleable Iron 45° Connectors with Insulated Throat



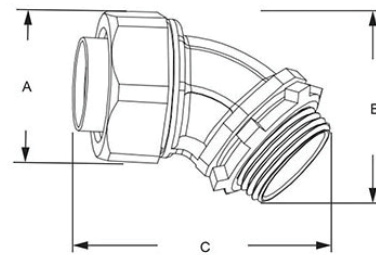
Features & Benefits:

- Used to terminate and seal Liquid-Tight Flexible Metallic and Non-Metallic Type B Conduits to either an oil-tight, liquid-tight or rain-tight box or enclosure.
- Connectors can be used with tapered thread female entry or non-threaded knock-out using the provided sealing washer and locknut.
- For use in dry or wet locations.
- No disassembly required.
- Reusable.
- 45° Bend Radius.
- Malleable Iron Construction.



Certifications: UL-514B

CAT#	TRADE SIZE	A	B	C	WT	PACKAGE INFORMATION		
	IN	Length IN	Width IN	Length IN	/100pcs LBS	INNER CASE	MASTER CASE	WT LBS
230S	3/8"	1.18	1.39	2.51	24	10	100	24
231S	1/2"	1.36	1.50	2.51	28	10	100	28
232S	3/4"	1.61	1.73	2.70	42	10	100	42
233S	1"	1.89	2.11	3.05	64	10	100	64
234S	1 1/4"	2.39	2.56	3.65	110	2	20	22
235S	1 1/2"	2.62	2.77	4.01	160	2	20	32
236S	2"	3.24	3.38	4.01	245	2	20	49
237S	2 1/2"	3.89	4.68	4.64	500	1	1	5
238S	3"	4.74	5.33	7.01	700	1	1	7
239S	3 1/2"	5.31	5.81	7.33	1000	1	1	10
240S	4"	5.82	6.42	8.20	1200	1	1	12



Sealing Rings



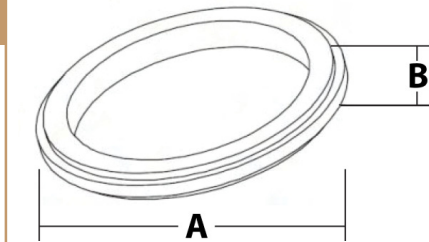
Features & Benefits:

- Sealing rings are used to form a liquid tight seal with a connector to a box or enclosure.
- Zinc Plated Steel construction.
- NBR Gasket



Certifications: UL-514B

CAT#	TRADE SIZE	A	B	WT	PACKAGE INFORMATION		
	IN	Width IN	Length IN	/100pcs LBS	INNER CASE	MASTER CASE	WT LBS
SR-50	1/2"	1.14	0.16	1.008	250	2500	25.19
SR-75	3/4"	1.37	0.16	1.289	200	2000	25.96
SR-100	1"	1.62	0.16	1.430	150	1500	21.45
SR-125	1 1/4"	1.98	0.16	1.914	100	1000	19.14
SR-150	1 1/2"	2.25	0.16	2.486	50	500	12.43
SR-200	2"	2.75	0.16	2.882	50	500	14.41
SR-250	2 1/2"	3.48	0.19	6.49	100	100	6.49
SR-300	3"	4.24	0.19	8.47	100	100	8.47
SR-350	3 1/2"	4.57	0.19	10.26	100	100	10.26
SR-400	4"	5.24	0.19	10.98	100	100	10.98



Top-Flex 1 Tubing

Non-Metallic Tubing



Indoor or outdoor use. Hazardous Locations - Where necessary for flexible connections within hazardous locations per the following: Class 1, Div. 2 - 2005 NEC 501.10(B)(2) Class 2, Div. 1 - 2005 NEC 502.10(A)(2) Class 3, Div. 2 - 2005 NEC 502.10(B)(2) Class 3, Div. 1 - 2005 NEC 503.10(A)(2) Class 3, Div. 2 - 2005 NEC 503.10(B)

Features & Benefits:

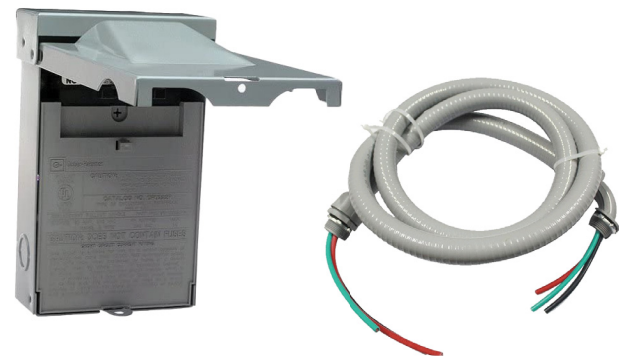
- Easy to cut and install.
- Smooth Interior: Facilitates easy wire pulling.
- Suitable for interior or exterior, direct burial, concrete, and HVAC installations.
- Resists corrosion, abrasion, oil, water, acid, and metal shavings, for use in rough environments.
- UL Type B flexible non-metallic liquid-tight conduit.
- Integral rigid and flexible PVC construction.



Certifications: UL-514B

CAT#	TRADE SIZE	UNIT	OUTSIDE DIAMETER		INSIDE DIAMETER		WALL THICKNESS	WT /100 ft	PACKAGE INFORMATION	
			MIN IN	MAX IN	MIN IN	MAX IN			MASTER CASE	WT LBS
HF138	3/8"	ROLL	.690	.710	.484	.504	.21	10	100'	10
HF112	1/2"	ROLL	.820	.840	.622	.642	.21	13	100'	13
HF112R	1/2"	REEL	.820	.840	.622	.642	.21	13	1000'	130
HF134	3/4"	ROLL	1.030	1.050	.820	.840	.21	18	100'	18
HF134R	3/4"	REEL	1.030	1.050	.820	.840	.21	18	800'	144
HF11	1"	ROLL	1.290	1.315	1.041	1.066	.25	25	100'	25
HF11R	1"	REEL	1.290	1.315	1.041	1.066	.25	25	500'	160
HF114	1 1/4"	ROLL	1.630	1.660	1.380	1.410	.25	33	100	33
HF1112	1 1/2"	ROLL	1.865	1.900	1.575	1.600	.30	46	50'	23
HF12	2"	ROLL	2.340	2.375	2.020	2.045	.33	60	50'	30

AC Disconnect



Features & Benefits:

- AC Disconnect, 60 Amp Non-Fused Pullout, 120/240 Volt, Heavy Duty Steel Enclosure, Powder coated for superior protection and durability, UL Listed, Consult a licensed Electrician for installation instructions
- UL LISTED For Wet Locations
- Unique Pull down door helps keep moisture and debris from entering



CAT#	DESCRIPTION	PACKAGE INFORMATION	
		MASTER CASE	WT LBS
ACD49	AC DISCONNECT, 60AMP, NON-FUSED PULLOUT 120/240	6	5

Liquidtight Conduit

Metallic

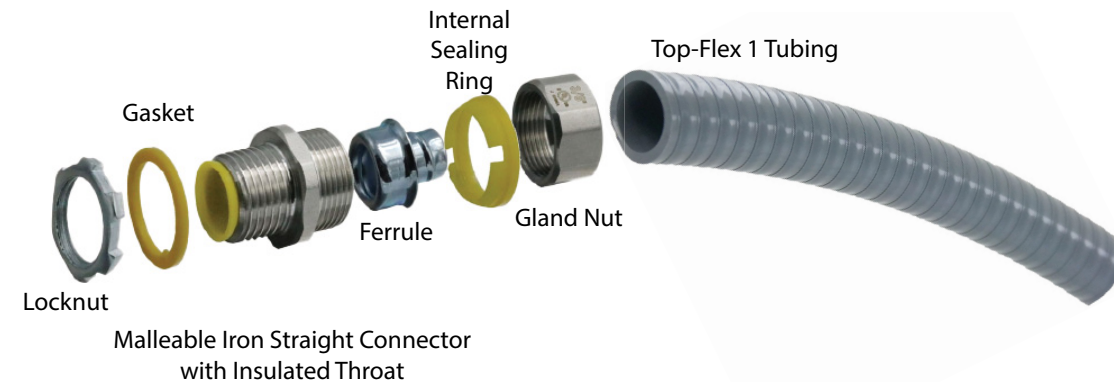


Features & Benefits:

- For use in damp or wet locations, suitable for commercial and industrial use Non-UL
- Crush & corrosion resistant steel inner core for lasting mechanical protection.
- EF PVC jacket is oil and sunlight resistant, steel core.
- Smooth Interior: Facilitates easy wire pulling.
- Non-UL

Certifications: UL-514B

CAT#	TRADE SIZE	UNIT	OUTSIDE DIAMETER		INSIDE DIAMETER		WT /100 ft	PACKAGE INFORMATION	
			MIN IN	MAX IN	MIN IN	MAX IN		MASTER CASE	WT LBS
LTMC-38100	3/8"	COIL	.689	.709	.484	.504	16	100'	16
LTMC-50100	1/2"	COIL	.819	.839	.622	.642	26	100'	26
LTMC-501000	1/2"	REEL	.819	.839	.622	.642	26	1000'	260
LTMC-75100	3/4"	COIL	1.032	1.051	.815	.835	31	100'	31
LTMC-751000	3/4"	REEL	1.032	1.051	.815	.835	31	500'	155
LTMC-100100	1"	COIL	1.287	1.315	1.032	1.055	44	100'	44
LTMC-100200	1"	REEL	1.287	1.315	1.032	1.055	44	200'	88
LTMC-12550	1 1/4"	COIL	1.630	1.661	1.370	1.394	70	50'	35
LTMC-125200	1 1/4"	REEL	1.630	1.661	1.370	1.394	70	200'	140
LTMC-15050	1 1/2"	COIL	1.866	1.902	1.579	1.598	80	50'	35
LTMC-150100R	1 1/2"	REEL	1.866	1.902	1.579	1.598	80	100'	80
LTMC-150150R	1 1/2"	REEL	1.866	1.902	1.579	1.598	80	150'	120
LTMC-20025	2"	COIL	2.339	2.374	2.020	2.043	88	25'	22
LTMC-20050	2"	COIL	2.339	2.374	2.020	2.043	88	50'	44
LTMC-200100	2"	REEL	2.339	2.374	2.020	2.043	88	100'	88
LTMC-25025	2 1/2"	COIL	2.839	2.874	2.480	2.504	168	25'	42
LTMC-30025	3"	COIL	3.461	3.500	3.071	3.102	212	25'	53
LTMC-35025	3 1/2"	COIL	3.960	4.000	3.500	3.540	220	25'	55
LTMC-40025	4"	COIL	4.457	4.500	4.000	4.039	228	25'	57



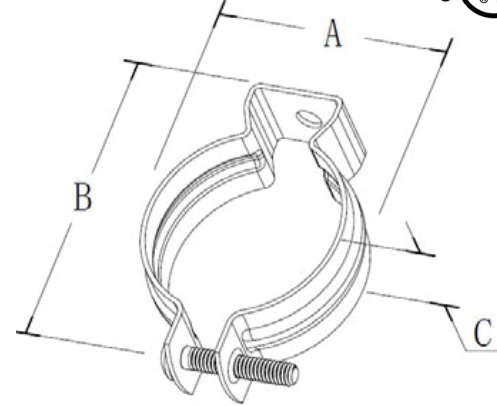
Conduit Support

Pipe Hangers



Features & Benefits:

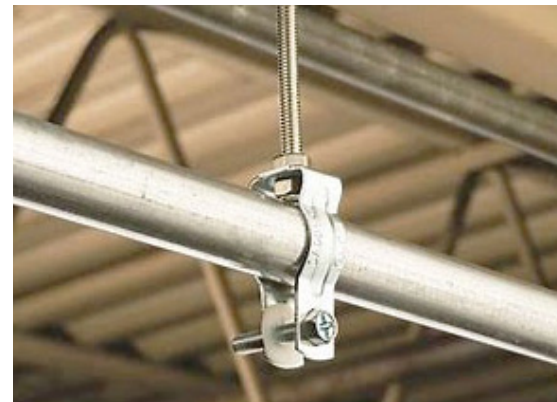
- Used to secure and suspend EMT, rigid, IMC and PVC conduits from overhead supports.
- Steel, Zinc Plated, with a bolt and a nut



Certifications: UL-2239

CAT#	EMT SIZE IN	RIGID SIZE IN	BOLT SIZE IN	A LENGTH IN	B WIDTH IN	C LENGTH IN	WT /100pcs LBS	PACKAGE INFORMATION		
								INNER CASE	MASTER CASE	WT LBS
PH-50CB	1/2"	3/8 or 1/2"	1/4-20 x 1"	0.93	2.02	0.73	5.40	100	5.40	
PH-75CB	3/4"	3/4"	1/4-20 x 1"	1.14	2.26	0.73	7.20	100	7.20	
PH-100CB	1"	1"	1/4-20 x 1"	1.50	2.56	0.87	7.20	100	7.20	
PH-105CB	1 1/4"		1/4-20 x 1 1/4"	1.70	2.79	0.87	9.00	100	9.00	
PH-125CB	1 1/2"	1 1/4"	1/4-20 x 1 1/4"	1.93	3.01	0.87	9.00	100	9.00	
PH-150CB		1 1/2"	1/4-20 x 1 1/4"	2.14	3.32	1.00	16.20	100	16.20	
PH-200CB	2"	2"	1/4-20 x 2"	2.61	3.76	1.00	18.00	50	9.00	
PH-250CB	2 1/2"	2 1/2"	1/4-20 x 2"	3.14	4.44	1.21	19.80	50	9.90	
PH-300CB	3"	3"	1/4-20 x 2"	3.77	5.08	1.20	21.60	25	5.40	
PH-350CB	3 1/2"	3 1/2"	1/4-20 x 2"	4.30	5.59	1.20	28.80	25	7.20	
PH-400CB	4"	4"	1/4-20 x 2"	4.80	6.07	1.20	43.20	25	10.80	

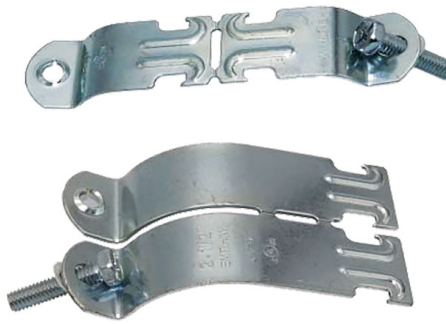
Pipe Hanger



Pipe Hanger

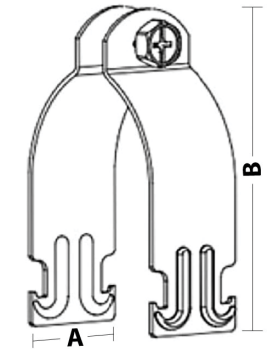
Conduit Support

Universal Conduit Clamps



Features & Benefits:

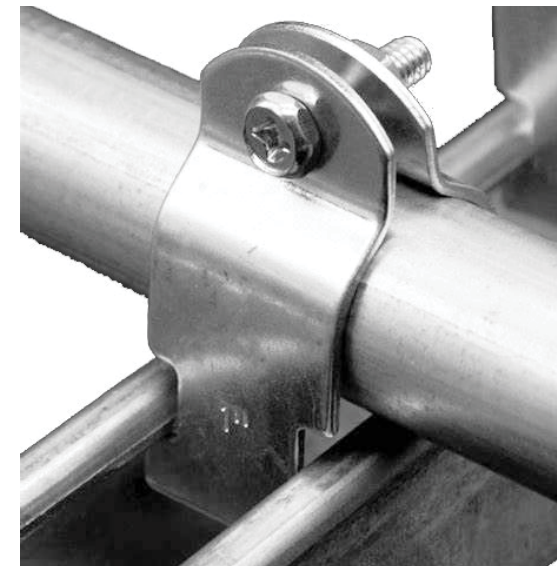
- Universal Conduit Clamps are used to secure EMT, IMC and Rigid conduit.
- For use with EMT, RIGID, & IMC Conduit
- Zinc Plated Steel
- Captive Screw Zinc Plated Steel



Certifications: UL-2239

CAT#	RIGID/IMC SIZE IN	EMT SIZE IN	A Width IN	B LENGTH IN	WT /100pcs LBS	PACKAGE INFORMATION		
						INNER CASE	MASTER CASE	WT LBS
PS-50NS	1/2"	1/2"	2.23	1.24	10.14	100	10.14	
PS-75NS	3/4"	3/4"	2.42	1.24	11.02	100	11.02	
PS-100NS	1"	1"	2.77	1.24	13.67	100	13.67	
PS-125NS	1 1/4"	1 1/4"	3.09	1.24	13.89	100	13.89	
PS-150NS	1 1/2"	1 1/2"	3.38	1.24	16.09	100	16.20	
PS-200NS	2"	2"	3.77	1.24	17.42	50	8.71	
PS-250NS	2 1/2"	2 1/2"	4.47	1.24	26.46	50	13.23	
PS-300NS	3"	3"	5.08	1.24	29.76	25	7.44	
PS-350NS	3 1/2"	3 1/2"	5.74	1.24	33.51	25	8.38	
PS-400NS	4"	4"	6.30	1.24	36.60	25	9.15	

Universal Conduit Clamp



Universal Conduit Clamp



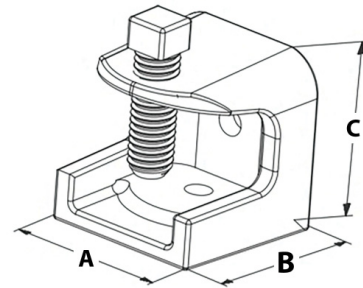
Hanging & Support

Beam Clamps



Features & Benefits:

- Case hardened steel bolt
- Tapped threads back and bottom
- High-strength malleable iron
- Malleable Iron Beam Clamps are used for the attachment of conduit hangers-either directly or by means of threaded rod.



Certifications: UL-2239

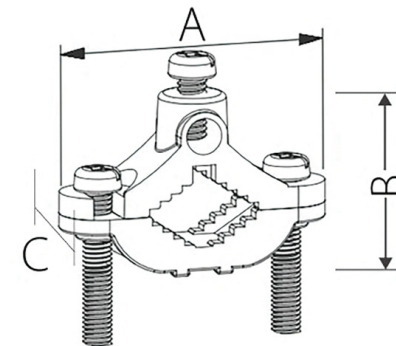
CAT#	JAW OPENING IN	TAP SIZE IN	A LENGTH IN	B WIDTH IN	C HEIGHT IN	WT /100pcs LBS	PACKAGE INFORMATION		
							INNER CASE	MASTER CASE	WT LBS
BC-100M	3/4"	1/4" - 20	1.11	1.38	1.28	22		50	11
BC-200M	7/8"	3/8" - 16	1.98	1.89	1.75	46		50	23
BC-300M	7/8"	1/2" - 13	1.98	1.89	1.75	14		50	7

Grounding Clamps



Features & Benefits:

- GC-50/100 is used to connect 2 to 8 AWG bare or armored copper grounding wire to 1/2, 3/4 or 1 in pipe or 3/4, 1 in ground rod, or 1/2 in and 3/4 in copper water pipe.
- Body: Zinc Die Cast
- Screw: Steel



Certifications: UL-467

CAT#	TRADE SIZE IN	WIRE RANGE AWG	A LENGTH IN	B DEPTH IN	C WIDTH IN	WT /100pcs LBS	PACKAGE INFORMATION		
							INNER CASE	MASTER CASE	WT LBS
GC-50/100	1/2" - 1"	2-8	2.25	1.37	1.00	80.0		250	200

Knockout Seals

Snap-In Seals

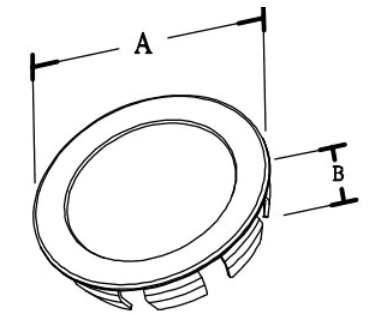


Features & Benefits:

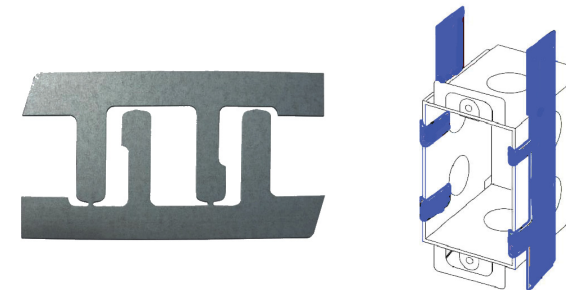
- Installs into unused box knockout
- Steel/Zinc Plated
- Suitable for airtight and dust tight application.

Certifications: UL-2239

CAT#	TRADE SIZE IN	A Width IN	B LENGTH IN	WT /100pcs LBS	PACKAGE INFORMATION		
					INNER CASE	MASTER CASE	WT LBS
KS-50S	1/2"	1.08	0.29	1.8		100	1.8
KS-75S	3/4"	1.23	0.31	1.9		100	1.9
KS-100S	1"	1.47	0.34	2.0		50	1.0
KS-125S	1 1/4"	1.88	0.37	2.4		50	1.2
KS-150S	1 1/2"	2.22	0.31	2.6		50	1.3
KS-200S	2"	2.67	0.34	2.8		50	1.4



Switch Box Support Brackets



Features & Benefits:

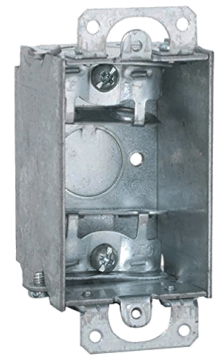
- Used to secure a switch box in a hollow wall cavity of plaster or drywall.
- Galvanized steel construction.



CAT #	DESCRIPTION	PACKAGE INFORMATION		
		CUBIC INCHES	CASE QTY	CASE WT
SBS	F-BRACKET, BOX SUPPORT		1000	10

Gangable Switch Boxes

3 X 2" Gangable Switch Boxes - 1 1/2" & 2" Deep



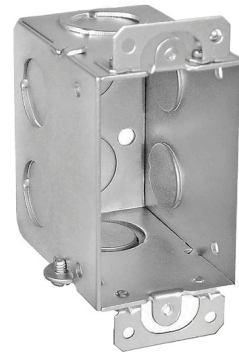
Features & Benefits:

- Gangable for multiple switch or device installation.
- Plaster ears allow easy cut in when outlets or switches need to be added to existing wall.
- Galvanized steel construction.



CAT #	DESCRIPTION	KNOCKOUTS	PACKAGE INFORMATION		
			CUBIC INCHES	CASE QTY	CASE WT
SBG410-50	3 X 2" SW BX 1 1/2" DP, NM CLAMP & ADJ PLASTER EAR	ENDS: (4) PRY OUTS BOTTOM: (1) 1/2"	7.5	50	28
SBG420-50	3 X 2" SW BX 2" DEEP, 1/2" KO	SIDES: (4) 1/2" ENDS: (2) 1/2" BOTTOM: (2) 1/2"	10.0	50	28
SBG440-50	3 X 2" SW BX 2" DEEP, MC CLAMP 1/2" KO	ENDS: (4) PRY OUTS BOTTOM: (1) 1/2"	10.0	50	28
SBG445-50	3 X 2" SW BX 2" DEEP, NM CLAMP 1/2" KO	ENDS: (4) PRY OUTS BOTTOM: (1) 1/2"	10.0	50	28

3 X 2" Gangable Switch Boxes - 2 1/2" Deep



Features & Benefits:

- Gangable for multiple switch or device installation.
- Plaster ears allow easy cut in when outlets or switches need to be added to existing wall.
- Galvanized steel construction.



CAT #	DESCRIPTION	KNOCKOUTS	PACKAGE INFORMATION		
			CUBIC INCHES	CASE QTY	CASE WT
SBG500-50	3 X 2" SW BX 2 1/2" DEEP, 1/2" KO	SIDES: (4) 1/2" ENDS: (2) 1/2" BOTTOM: (2) 1/2"	12.5	50	29
SBG503-50	3 X 2" SW BX 2 1/2" DEEP, CONCENTRIC KO	SIDES: (2) 1/2" ENDS: (2) CON 1/2" & 3/4" BOTTOM: (2) 1/2"	12.5	50	29
SBG518-50	3 X 2" SW BX 2 1/2" DEEP, MC CLAMP 1/2" KO	SIDES: (4) 1/2" ENDS: (2) 1/2" & (4) PRY OUT BOTTOM: (1) 1/2"	12.5	50	32
SBG519-50	3 X 2" SW BX 2 1/2" DEEP, NM CLAMP 1/2" KO	SIDES: (4) 1/2" ENDS: (2) 1/2" & (4) PRY OUT BOTTOM: (1) 1/2"	12.5	50	32
SBG523-50	3 X 2" SW BX 2 1/2" DEEP, MC CLAMPS for OLD WORK, 1/2" KO	ENDS: (2) 1/2" & (4) PRY OUT BOTTOM: (1) 1/2"	12.5	50	30
SBG524-50	3 X 2" SW BX 2 1/2" DEEP, MC CLAMP, FL BRKT, 1/2" KO	SIDES: (2) 1/2" ENDS: (2) 1/2" & (4) PRY OUT BOTTOM: (1) 1/2"	12.5	50	31

Gangable Switch Boxes

3 X 2" Gangable Switch Boxes - 2 3/4" Deep



Features & Benefits:

- Gangable for multiple switch or device installation.
- Plaster ears allow easy cut in when outlets or switches need to be added to existing wall.
- Galvanized steel construction.



CAT #	DESCRIPTION	KNOCKOUTS	PACKAGE INFORMATION		
			CUBIC INCHES	CASE QTY	CASE WT
SBG565-50	3 X 2" SW BX 2 3/4" DEEP, 1/2" & 3/4" KO	SIDES: (4) 3/4" ENDS: (2) 3/4" BOTTOM: (2) 1/2"	14.0	50	31
SBG567-50	3 X 2" SW BX 2 3/4" DEEP, NM CLAMP, 1/2" KO	SIDES: (4) 1/2" ENDS: (2) 1/2" & (4) PRY OUTS	14.0	50	31
SBG570-50	3 X 2" SW BX 2 3/4" DEEP, MC CLAMP, 1/2" KO	SIDES: (4) 1/2" ENDS: (2) 1/2" & (4) PRY OUT BOTTOM: (1) 1/2"	14.0	50	31
SBG574-50	3 X 2" SW BX 2 3/4" DEEP, NM CLAMP, FL BKT, 1/2" KO	SIDES: (2) 1/2" ENDS: (2) 1/2" & (4) PRY OUT BOTTOM: (1) 1/2"	14.0	50	33

3 X 2" Gangable Switch Boxes - 3 1/2" Deep



Features & Benefits:

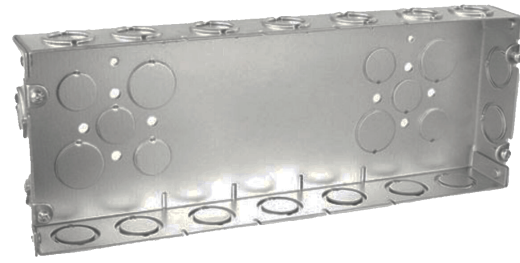
- Gangable for multiple switch or device installation.
- Plaster ears allow easy cut in when outlets or switches need to be added to existing wall.
- Galvanized steel construction.



CAT #	DESCRIPTION	KNOCKOUTS	PACKAGE INFORMATION		
			CUBIC INCHES	CASE QTY	CASE WT
SBG591-25	3 X 2" SW BX 3 1/2" DEEP, CONCENTRIC KO	SIDES: (4) 1/2" ENDS: (2) 1/2" & (2) 1/2" & 3/4" CON BOTTOM: (2) 1/2"	18.0	25	19
SBG600-25	3 X 2" SW BX 3 1/2" DEEP, MC CLAMP, #12AWG SOLID PIGTAIL, 1/2" KO	SIDES: (4) 1/2" ENDS: (2) 1/2" & (4) PRY OUTS BOTTOM: (1) 1/2"	18.0	25	21
SBG601-25	3 X 2" SW BX 3 1/2" DEEP, NM CLAMP, #12AWG SOLID PIGTAIL, 1/2" KO	SIDES: (4) 1/2" ENDS: (2) 1/2" & (4) PRY OUT BOTTOM: (1) 1/2"	18.0	25	21
SBG604-25	3 X 2" SW BX 3 1/2" DEEP, MC CLAMP, #12AWG SOLID PIGTAIL, FL BRKT, 1/2" KO	SIDES: (4) 1/2" ENDS: (2) 1/2" & (4) PRY OUT BOTTOM: (1) 1/2"	18.0	25	22
SBG605-25	3 X 2" SW BX 3 1/2" DEEP, NM CLAMP, #12AWG SOLID PIGTAIL, FL BRKT, 1/2" KO	SIDES: (4) 1/2" ENDS: (2) 1/2" & (4) PRY OUT BOTTOM: (1) 1/2"	18.0	25	22

Multi-Gang Switch Boxes

1 5/8" Deep



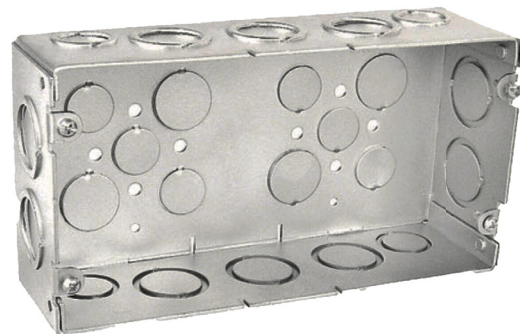
Features & Benefits:

- Multi-Gang Boxes are used to install multiple devices in one location.
- May be used as large capacity junction boxes..
- Galvanized steel, welded construction



CAT #	DESCRIPTION	KNOCKOUTS	PACKAGE INFORMATION		
			CUBIC INCHES	CASE QTY	CASE WT
MSB13	3 GANG MULTI-GANG WELDED SWITCH BOX 1-5/8" DEEP	SIDES: (14) 1/2" & 3/4" CONCENTRIC BOTTOM: (12) 1/2" & 3/4" CONCENTRIC	58.5	25	8
MSB14	4 GANG MULTI-GANG WELDED SWITCH BOX 1-5/8" DEEP	SIDES: (16) 1/2" & 3/4" CONCENTRIC BOTTOM: (6) 1/2" & (4) 3/4"	71	20	6.2
MSB15	5 GANG MULTI-GANG WELDED SWITCH BOX 1-5/8" DEEP	SIDES: (18) 1/2" & 3/4" CONCENTRIC BOTTOM: (6) 1/2" & (4) 3/4"	81	20	10

2 1/2" Deep



Features & Benefits:

- Multi-Gang Boxes are used to install multiple devices in one location.
- May be used as large capacity junction boxes..
- Galvanized steel, welded construction



CAT #	DESCRIPTION	KNOCKOUTS	PACKAGE INFORMATION		
			CUBIC INCHES	CASE QTY	CASE WT
MSB33	3 GANG MULTI-GANG WELDED SWITCH BOX 2 1/2" DEEP	SIDES: (14) 1/2" & 3/4" CONCENTRIC BOTTOM: (12) 1/2" & 3/4" CONCENTRIC	90.5	10	17.5
MSB34	4 GANG MULTI-GANG WELDED SWITCH BOX 2 1/2" DEEP	SIDES: (16) 1/2" & 3/4" CONCENTRIC BOTTOM: (6) 1/2" & (4) 3/4"	111.8	10	3.1
MSB35	5 GANG MULTI-GANG WELDED SWITCH BOX 2 1/2" DEEP	SIDES: (18) 1/2" & 3/4" CONCENTRIC BOTTOM: (6) 1/2" & (4) 3/4"	128.5	5	0.3

Handy Boxes

4 X 2" Drawn Handy Boxes - 1 1/2" Deep



Features & Benefits:

- Handy boxes are used for convenience outlets, switches and small junction boxes in exposed work applications.
- Raised Ground Screw



CAT #	DESCRIPTION	KNOCKOUTS	PACKAGE INFORMATION		
			CUBIC INCHES	CASE QTY	CASE WT
H4470-50	4 X 2" RECEPTACLE BX 1 1/2" DEEP, 1/2" & 3/4" KO	SIDES: (4) 1/2" & (2) 3/4" ENDS: ((2) CON 1/2" & 3/4" BOTTOM: (1) 3/4"	11.5	50	27
H4471-50	4 X 2" RECEPTACLE BX 1 1/2" DEEP, 1/2" KO	SIDES: (6) 1/2" ENDS: (2) 1/2" BOTTOM: (2) 1/2"	11.5	50	27

4 X 2" Drawn Handy Boxes (1 7/8" Deep)



Features & Benefits:

- Handy boxes are used for convenience outlets, switches and small junction boxes in exposed work applications.
- Raised Ground Screw



CAT #	DESCRIPTION	KNOCKOUTS	PACKAGE INFORMATION		
			CUBIC INCHES	CASE QTY	CASE WT
H4450-50	4 X 2" RECEPTACLE BX 1 7/8" DEEP, 1/2" KO	SIDES: (6) 1/2" ENDS: ((2) CON 1/2" & 3/4" BOTTOM: (2) 3/4"	13.5	50	24
H4451-50	4 X 2" RECEPTACLE BX 1 7/8" DEEP, 1/2" KO	SIDES: (6) 1/2" ENDS: (2) 1/2" BOTTOM: (3) 1/2"	13.5	50	24
H4452-50	4 X 2" RECEPTACLE BX 1 7/8" DEEP, 1/2" & 3/4" KO	SIDES: (4) 1/2" & (2) 3/4" ENDS: (2) 3/4" BOTTOM: (2) 1/2" & (1) 3/4"	13.5	50	24
H4453-50	4 X 2" RECEPTACLE BX 1 7/8" DEEP, 3/4" KO	SIDES: (4) 3/4" ENDS: (2) 3/4" BOTTOM: (1) 3/4"	13.5	50	24
H4454-50	4 X 2" RECEPTACLE BX 1 7/8" DEEP, 3/4" KO	SIDES: (4) 3/4" ENDS: (2) 3/4" BOTTOM: (2) 3/4"	13.5	50	24
H4456-50	4 X 2" RECEPTACLE BX 1 7/8" DEEP, 3/4" KO	SIDES: (4) CONN 1/2" & 3/4" ENDS: (2) CONN 1/2" & 3/4" BOTTOM: (2) 3/4"	13.5	50	24

Handy Boxes

4 X 2" Drawn Handy Boxes (2 1/8" Deep)



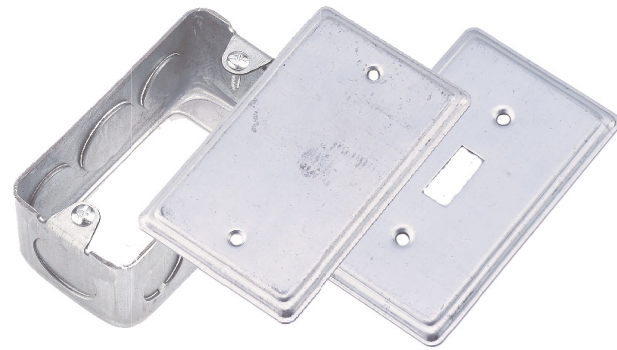
Features & Benefits:

- Handy boxes are used for convenience outlets, switches and small junction boxes in exposed work applications.
- Raised Ground Screw



CAT #	DESCRIPTION	KNOCKOUTS	PACKAGE INFORMATION		
			CUBIC INCHES	CASE QTY	CASE WT
H4467-50	4 X 2" RECEPTACLE BX 2 1/8" DEEP, 1/2" & 3/4" KO	SIDES: (4) 1/2" & (2) 3/4" ENDS: ((2) 1/2" BOTTOM: (1) 1/2" & (1) 3/4"	11.5	50	29
H4468-50	4 X 2" RECEPTACLE BX 2 1/8" DEEP, 1/2" KO	SIDES: (6) 1/2" ENDS: (2) 1/2" BOTTOM: (2) 1/2"	11.5	50	29

4 X 2" Drawn Handy Box Extension & Covers



Features & Benefits:

- Captive screws
- Galvanized steel construction



CAT #	DESCRIPTION	KNOCKOUTS	PACKAGE INFORMATION		
			CUBIC INCHES	CASE QTY	CASE WT
H4457-50	4 X 2" RECEPTACLE BX EXT 1 1/2" DEEP, 1/2" & 3/4" KO ENDS: ((2) 3/4"	SIDES: (4) 1/2" & (2) 3/4" BOTTOM: OPEN	11.5	50	24
C1152-100	4" X 2" RECEPTACLE COVER, BLANK		1.5	100	11
C1153-100	4" X 2" RECEPTACLE COVER, TOGGLE SWITCH		1.5	100	11
C1156-100	4" X 2" RECEPTACLE COVER, 1/2" KO	TOP: (1) 1/2"	1.5	100	11

Octagon Boxes & Covers

4" Drawn Octagon Boxes



Features & Benefits:

- Octagon boxes are used to install ceiling and wall lighting fixtures, fans, or convenience outlets and devices.
- Raised Ground Screw
- Galvanized steel construction.



CAT #	DESCRIPTION	KNOCKOUTS	PACKAGE INFORMATION		
			CUBIC INCHES	CASE QTY	CASE WT
G2450-50	4" OCT BX 1 1/2" DEEP, NM CLAMP, 1/2" KO	SIDES: (2) 1/2" & (4) PRY OUT BOTTOM: (1) 1/2"	15.8	50	27
G2451-50	4" OCT BX 1 1/2" DEEP, MC CLAMP, 1/2" KO	SIDES: (2) 1/2" & (4) PRY OUT BOTTOM: (1) 1/2"	15.8	50	27
G2453-50	4" OCT BX 1 1/2" DEEP, NM CLAMP, 1/2" KO with EARS	SIDES: (4) 1/2" BOTTOM: (1) 1/2"	15.8	50	25
G4451-50	4" OCT BX 1 1/2" DEEP, 1/2" KO	SIDES: (4) 1/2" BOTTOM: (4) 1/2"	15.8	50	25
G4452-50	4" OCT BX 1 1/2" DEEP, 1/2 & 3/4" KO	SIDES: (4) 3/4" BOTTOM: (2) 1/2" & (2) 3/4"	15.8	50	25
G4453-50	4" OCT BX 1 1/2" DEEP, 1/2 & 3/4" KO	SIDES: (2) 1/2" & (2) 3/4" BOTTOM: (5) 1/2"	15.8	50	25
G4454-50	4" OCT BX 1 1/2" DEEP, 1/2 & 3/4" KO	SIDES: (2) 1/2" & (2) 3/4" BOTTOM: (2) 1/2" & (2) 3/4"	15.8	50	25
G4455-50	4" OCT BX 1 1/2" DEEP, 1/2 & CON 1/2" & 3/4" KO	SIDES: (4) CONN 1/2" & 3/4" BOTTOM: (2) 1/2" & (2) CON 1/2" & 3/4"	15.8	50	25

4" Drawn Octagon Boxes with Brackets & Supports



Features & Benefits:

- Octagon boxes are used to install ceiling and wall lighting fixtures, fans, or convenience outlets and devices.
- Raised Ground Screw
- Galvanized steel construction.



Certifications: UL-514A

CAT #	DESCRIPTION	KNOCKOUTS	PACKAGE INFORMATION		
			CUBIC INCHES	CASE QTY	CASE WT
G3450-25	4" OCT BX 1 1/2" DEEP, w/FL BKT, 1/2" & 3/4" KO	SIDES: (2) 1/2" & (2) CONN 1/2" & 3/4" BOTTOM: (3) 1/2" & (2) 3/4"	15.8	25	15
G3451-25	4" OCT BX 1 1/2" DEEP, MC CLAMP, ADJ BAR, 1/2" KO	SIDES: (2) 1/2" & (4) PRY OUT	15.8	25	25
G3452-25	4" OCT BX 1 1/2" DEEP, NM CLAMP, ADJ BAR, 1/2" KO	SIDES: (2) 1/2" & (4) PRY OUT	15.8	25	25
G3454-25	4" OCT BX 1 1/2" DEEP, NM CLAMP, J-WOOD BKT, 1/2" KO	SIDES: (4) 1/2" BOTTOM: (4) 1/2"	15.8	25	18
G3455-25	4" OCT BX 1 1/2" DEEP, MC CLAMP, w/FL BKT, 1/2 KO	SIDES: (2) 1/2" & (2) CON 1/2" & 3/4" BOTTOM: (3) 1/2" & (2) 3/4"	15.8	25	16

Octagon Boxes & Covers

4" Drawn Octagon Deep Boxes



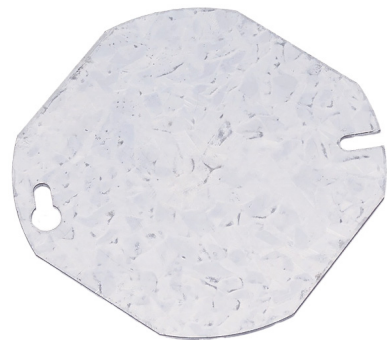
Features & Benefits:

- Octagon boxes are used to install ceiling and wall lighting fixtures, fans, or convenience outlets and devices.
- Raised Ground Screw
- Galvanized steel construction.



CAT #	DESCRIPTION	KNOCKOUTS	PACKAGE INFORMATION		
			CUBIC INCHES	CASE QTY	CASE WT
G4456-25	4" OCT BX 2 1/8" DEEP, 1/2" KO	SIDES: (4) 1/2" BOTTOM: (4) 1/2"	22.8	50	31
G4457-25	4" OCT BX 2 1/8" DEEP, 1/2" & 3/4" KO	SIDES: (2) 1/2" & (2) 3/4" BOTTOM: (4) 1/2"	22.8	50	31
G4458-25	4" OCT BX 2 1/4" DEEP, CON 1/2" & 3/4" KO	SIDES: (4) CON 1/2" & 3/4" BOTTOM: (5) 1/2"	22.8	50	31

4" Octagon Box Covers



Features & Benefits:

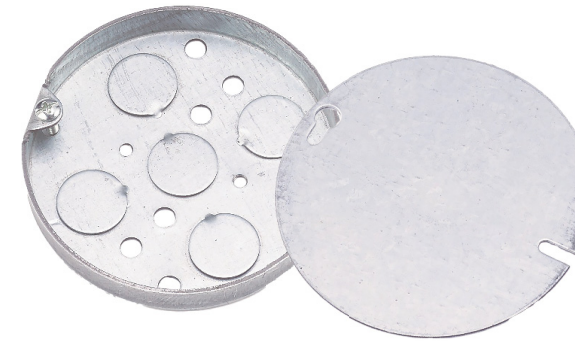
- Keyhole mounting holes for easy installation
- Used to close off 4" octagon box as a junction box.
- Galvanized steel construction



CAT #	DESCRIPTION	KNOCKOUTS	PACKAGE INFORMATION		
			CUBIC INCHES	CASE QTY	CASE WT
C8451-50	4" OCT BX BLANK COVER			50	11
C8452-50	4" OCT BX COVER, 1/2" KO	TOP: (1) 1/2"		50	11
RC400	CONCRETE RING COVER, BLANK			50	15
RC401	CONCRETE RING COVER, 1/2" & 3/4" KO	TOP: (3) 1/2" & (2) 3/4"		50	15

Octagon Boxes & Covers

Round Pancake Boxes & Covers



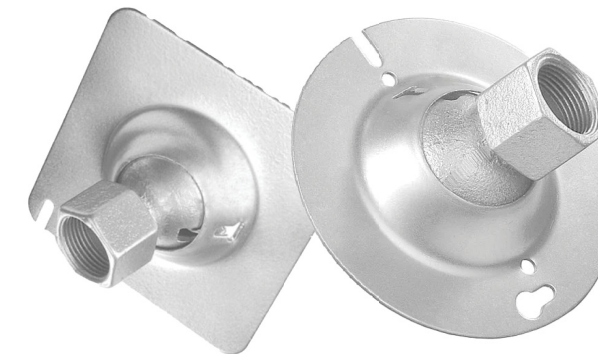
Features & Benefits:

- For use as shallow junction box to support fixtures of 50 lbs or less.
- Galvanized steel construction.



CAT #	DESCRIPTION	KNOCKOUTS	PACKAGE INFORMATION		
			CUBIC INCHES	CASE QTY	CASE WT
P3452-50	3 1/2" ROUND PANCAKE BX, NM CLAMP, 1/2" DEEP, 1/2" KO	BOTTOM: (1) 1/2"	3.9	50	15
P4451-50	4" ROUND PANCAKE BX, 5/8" DEEP, 1/2" KO	BOTTOM: (4) 1/2"	3.9	50	18
RC141-50	4" ROUND STEEL FLAT COVER, 1/2" KO	TOP: (1) 1/2"		100	20
RC142-50	4" ROUND STEEL FLAT COVER, BLANK			100	20

4" Swivel Type Covers



Features & Benefits:

- 20° swing from vertical
- SCR Fits standard Octagon boxes.
- Used to hang commercial lighting fixtures.
- SCS fits 4" square boxes.
- Used where pipe stems or fixtures may be subject to motion or vibration.
- Galvanized Steel Construction.



CAT #	DESCRIPTION	KNOCKOUTS	PACKAGE INFORMATION		
			CUBIC INCHES	CASE QTY	CASE WT
SCR-50/75	4" ROUND OCTAGON BOX SWIVEL COVER			25	7.5
SCS-50/75	4" SQUARE OCTAGON BOX SWIVEL COVER			25	8

Square Boxes & Covers

4 11/16" Square Welded Boxes



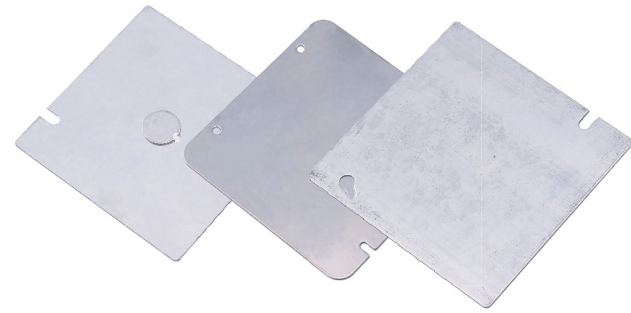
Features & Benefits:

- 4 11/16" square boxes are used where multiple conductor runs are split into two or more direction to bring power to a number of devices.
- Combination knockouts allow for greater wiring flexibility.
- Galvanized steel construction



CAT #	DESCRIPTION	KNOCKOUTS	PACKAGE INFORMATION		
			CUBIC INCHES	CASE QTY	CASE WT
B7451-25	4 11/16" SQ WELDED BX EXT, 1 1/2" DEEP, 1/2" & 3/4" KO	SIDES: (4) CON 1/2" & 3/4"	31	20	25
B7452-25	4 11/16" SQ WELDED BX EXT, 2 1/8" DEEP, 1/2" & 3/4" KO	SIDES: (8) 1/2" & (4) 3/4"	44	20	25
B8451-20	4 11/16" SQ WELDED BX, 2 1/8" DEEP, CON 1/2" & 3/4" KO	SIDES: (4) 1/2" (6) CON 1/2" & 3/4" BOTTOM: (2) 1/2" & (2) CON 1/2" & 3/4"	44	20	29
B8453-25	4 11/16" SQ WELDED BX, 2 1/8" DEEP, 1/2" & 3/4" KO	SIDES: (8) 1/2" & (4) 3/4" BOTTOM: (2) 1/2" & (2) 3/4"	44	20	29
B8454-25	4 11/16" SQ WELDED BX, 2 1/8" DEEP, 3/4" & 1" KO	SIDES: (4) 3/4" & (4) 1" BOTTOM: (2) 1/2" & (2) 3/4"	44	20	29
B8456-25	4 11/16" SQ WELDED BX, 2 1/8" DEEP, 1" KO	SIDES: (8) 1" BOTTOM: (2) 1/2" & (2) 3/4"	44	20	29

4 11/16" Box Covers



Features & Benefits:

- Consistent Quality – East Electrical Box Covers are manufactured for long life, durability, and strength.

Standard Materials:

- Galvanized Steel



CAT #	DESCRIPTION	KNOCKOUTS	PACKAGE INFORMATION		
			CUBIC INCHES	CASE QTY	CASE WT
C7510-50	4 11/16" FLAT SQUARE BX COVER, 1/2" KO	TOP: (1) 1/2"		50	20
C7511-50	4 11/16" FLAT SQUARE BX COVER, BLANK			50	20
C7513-50	4 11/16" FLAT SQUARE BX COVER, BLANK	TOP: (1) 1/2"		50	20

Square Boxes & Covers

4" Square Drawn Boxes



Features & Benefits:

- 4 11/16" square boxes are used where multiple conductor runs are split into two or more direction to bring power to a number of devices.
- Combination knockouts allow for greater wiring flexibility.
- Galvanized steel construction



CAT #	DESCRIPTION	KNOCKOUTS	PACKAGE INFORMATION		
			CUBIC INCHES	CASE QTY	CASE WT
B4450-50	4" SQ DRAWN BOX, 1 1/2" DEEP, 1/2" KO	SIDES: (12) 1/2" BOTTOM: (4) 1/2"	21	50	28
B4451-50	4" SQ DRAWN BOX, 1 1/2" DEEP, 1/2" KO	SIDES: (12) 1/2" BOTTOM: (5) 1/2"	21	50	29
B4452-50	4" SQ DRAWN BOX, 1 1/2" DEEP, 3/4" KO	SIDES: (8) 3/4" BOTTOM: (3) 1/2" & (2) 3/4"	21	50	29
B4453-50	4" SQ DRAWN BOX, 1 1/2" DEEP, 1/2" & 3/4" KO	SIDES: (8) 1/2" & (4) 3/4" BOTTOM: (3) 1/2" & (2) 3/4"	21	50	29
B4454-50	4" SQ DRAWN BOX, 1 1/2" DEEP, CON 1/2" & 3/4" KO	SIDES: (8) CON 1/2" & 3/4" BOTTOM: (2) 1/2" & (2) 3/4"	21	50	29

4" Square Drawn Deep Boxes



Features & Benefits:

- 4 11/16" square boxes are used where multiple conductor runs are split into two or more direction to bring power to a number of devices.
- Combination knockouts allow for greater wiring flexibility.
- Galvanized steel construction



CAT #	DESCRIPTION	KNOCKOUTS	PACKAGE INFORMATION		
			CUBIC INCHES	CASE QTY	CASE WT
D4451-25	4" SQ DRAWN BOX, 2 1/8" DEEP, 1/2" KO	SIDES: (12) 1/2" BOTTOM: (5) 1/2"	29	50	20
D4452-25	4" SQ DRAWN BOX, 2 1/8" DEEP, 1/2" & 3/4" KO	SIDES: (8) 1/2" & (4) 3/4" BOTTOM: (5) 1/2" & (2) 3/4"	29	50	20
D4454-25	4" SQ DRAWN BOX, 2 1/8" DEEP, 3/4" KO	SIDES: (8) 3/4" BOTTOM: (3) 1/2" & (2) 3/4"	29	50	20
D4455-25	4" SQ DRAWN BOX, 2 1/8" DEEP, 1" KO	SIDES: (8) 1" BOTTOM: (3) 1/2" & (2) 3/4"	29	50	20
D4456-25	4" SQ DRAWN BOX, 2 1/8" DEEP, 3/4" & 1" KO	SIDES: (4) 3/4" & (4) 1" BOTTOM: (2) 1/2" & (2) 3/4"	29	50	20

Square Boxes & Covers

4" Square Welded Boxes



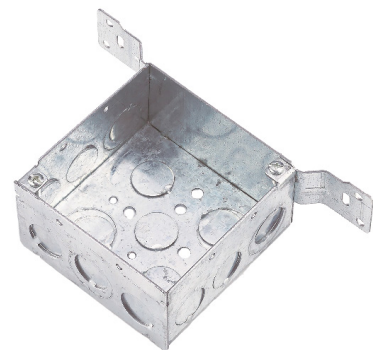
Features & Benefits:

- 4" square boxes are used where multiple conductor runs are split into two or more direction to bring power to a number of devices.
- Combination knockouts allow for greater wiring flexibility.
- Galvanized steel construction



CAT #	DESCRIPTION	KNOCKOUTS	PACKAGE INFORMATION		
			CUBIC INCHES	CASE QTY	CASE WT
B8544-25	4" SQ WELDED BOX, 1 1/2" DEEP, 1/2" & 3/4" KO	SIDES: (6) 1/2" & (3) CON 1/2" & 3/4" BOTTOM: (3) 1/2" & (2) CON 1/2" & 3/4"	22	25	20
B8545-25	4" SQ WELDED BOX, 1 1/2" DEEP, 1/2" & 3/4" KO	SIDES: (8) 1/2" & (4) CON 1/2" & 3/4" BOTTOM: (5) 1/2"	22	50	15
B8548-25	4" SQ WELDED BOX, 1 1/2" DEEP, MC CLAMP, S-BRKT, 1/2" & 3/4" KO	SIDES: (3) 3/4" & (1) CON 1/2" & 3/4" BOTTOM: (1) 1/2"	22	50	22
B8549-25	4" SQ WELDED BOX, 1 1/2" DEEP, MC CLAMP, FL-BRKT, 1/2" & 3/4" KO	SIDES: (3) 1/2" & (1) CON 1/2" & 3/4" BOTTOM: (1) 1/2"	22	50	21

4" Square Welded Deep Boxes



Features & Benefits:

- 4" square boxes are used where multiple conductor runs are split into two or more direction to bring power to a number of devices.
- Combination knockouts allow for greater wiring flexibility.
- Galvanized steel construction



CAT #	DESCRIPTION	KNOCKOUTS	PACKAGE INFORMATION		
			CUBIC INCHES	CASE QTY	CASE WT
B8452-50	4" SQ WELDED BOX, 2 1/8" DEEP, 1/2" & 3/4" KO	SIDES: (4) 1/2" & (6) CON 1/2" & 3/4" BOTTOM: (3) 1/2" & (2) CON 1/2" & 3/4"	31.5	50	29
B8546-25	4" SQ WELDED BOX, 2 1/8" DEEP, 1/2" & 3/4" KO	SIDES: (4) 1/2" & (2) CON 1/2" & 3/4" BOTTOM: (3) 1/2" & (2) CON 1/2" & 3/4"	31.5	25	20
D6500-25	4" SQ WELDED BOX, 2 1/8" DEEP, FL-BRKT, 1/2" & 3/4" KO	SIDES: (6) 1/2" & (3) CON 1/2" & 3/4" BOTTOM: (3) 1/2" & (2) CON 1/2" & 3/4"	31.5	50	28
D6541-25	4" SQ WELDED BOX, 2 1/8" DEEP, MC CLAMP, FL-BRKT, 1/2" & 3/4" KO	SIDES: (2) 1/2" & (1) CON 1/2" & 3/4" BOTTOM: (1) 1/2"	31.5	50	31

Square Boxes & Covers

4" Square Box Covers



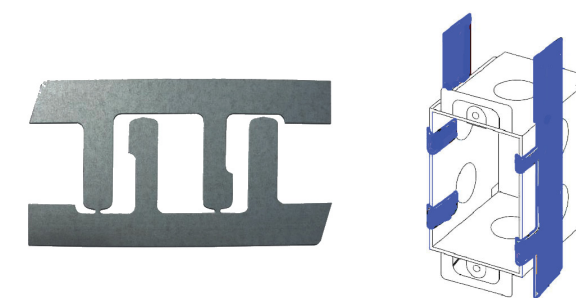
Features & Benefits:

- Used to enclose 4" square box wiring
- Keyhole mounting holes for fast, easy installation.
- Galvanized steel construction.



CAT #	DESCRIPTION	KNOCKOUTS	PACKAGE INFORMATION		
			CUBIC INCHES	CASE QTY	CASE WT
C7516-50	4" SQ BOX COVER, FLAT, BLANK			50	16
C7517-50	4" SQ BOX COVER, FLAT, 1/2" KO			50	16

Switch Box Support Brackets



Features & Benefits:

- Used to secure a switch box in a hollow wall cavity of plaster or drywall.
- Galvanized steel construction.



CAT #	DESCRIPTION	PACKAGE INFORMATION		
		CUBIC INCHES	CASE QTY	CASE WT
SBS	F-BRACKET, BOX SUPPORT		1000	10

Square Box Extensions & Rings

4" Square Box Extensions



Features & Benefits:

- 4" square extension rings are added to junction boxes to increase wiring capacity and provide access for additional conduit runs and electrical wire.
- Extension rings prevent the need to remove old conduit boxes and wiring from circuits when additional capacity is needed.
- Combination knockouts allow for greater wiring flexibility.
- Galvanized steel construction.



CAT #	DESCRIPTION	KNOCKOUTS	PACKAGE INFORMATION		
			CUBIC INCHES	CASE QTY	CASE WT
E4511-50	4" SQ BOX EXTENSION, 1 1/2" DEEP, 1/2" KO	SIDES: (12) 1/2" BOTTOM: OPEN	21	50	21
E4512-50	4" SQ BOX EXTENSION, 1 1/2" DEEP, 1/2" & 3/4" KO	SIDES: (8) 1/2" & (4) 3/4" BOTTOM: OPEN	21	50	21

4" Square Single Gang Device Rings



Features & Benefits:

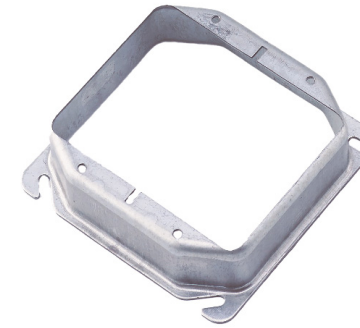
- 4" square single device rings are used with 4" square boxes to mount switches, receptacles and devices.
- Angled slots on the covers compensate for up to 12° of box misalignment on upright framing members.
- Galvanized steel construction.



CAT #	DESCRIPTION	KNOCKOUTS	PACKAGE INFORMATION		
			CUBIC INCHES	CASE QTY	CASE WT
C4450-50	4" SQ STEEL SINGLE GANG DEVICE RING, FLAT			50	9
C4452-50	4" SQ STEEL SINGLE GANG DEVICE RING, RAISED 1/4"		1.7	50	7
C4453-50	4" SQ STEEL SINGLE GANG DEVICE RING, RAISED 1/2"		3.5	50	11
C4454-50	4" SQ STEEL SINGLE GANG DEVICE RING, RAISED 5/8"		4.5	50	12
C4455-50	4" SQ STEEL SINGLE GANG DEVICE RING, RAISED 3/4"		5.5	50	13
C4456-25	4" SQ STEEL SINGLE GANG DEVICE RING, RAISED 1"		7.5	25	8
C4457-25	4" SQ STEEL SINGLE GANG DEVICE RING, RAISED 1 1/4"		9.4	25	9
C4458-25	4" SQ STEEL SINGLE GANG DEVICE RING, RAISED 1 1/2"		11.3	25	10
C4459-25	4" SQ STEEL SINGLE GANG DEVICE RING, RAISED 2"		14.5	25	12

Square Box Extensions & Rings

4" Square Double Gang Device Rings



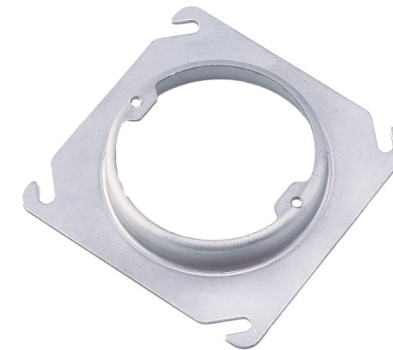
Features & Benefits:

- 4" square device rings are used with 4" square boxes to mount switches, receptacles and devices.
- Angled slots on the covers compensate for up to 12° of box misalignment on upright framing members.
- Galvanized steel construction.



CAT #	DESCRIPTION	KNOCKOUTS	PACKAGE INFORMATION		
			CUBIC INCHES	CASE QTY	CASE WT
RCC40	4" SQ STEEL DOUBLE GANG DEVICE RING, FLAT			50	9
R2242-50	4" SQ STEEL DOUBLE GANG DEVICE RING, RAISED 1/2"		5.4	50	13
R2243-50	4" SQ STEEL DOUBLE GANG DEVICE RING, RAISED 5/8"		7.0	50	13
R2244-50	4" SQ STEEL DOUBLE GANG DEVICE RING, RAISED 3/4"		8.5	50	13
R2245-25	4" SQ STEEL DOUBLE GANG DEVICE RING, RAISED 1"		11.6	25	13
R2246-25	4" SQ STEEL DOUBLE GANG DEVICE RING, RAISED 1 1/4"		14.7	25	13

4" Square to Round Device Rings



Features & Benefits:

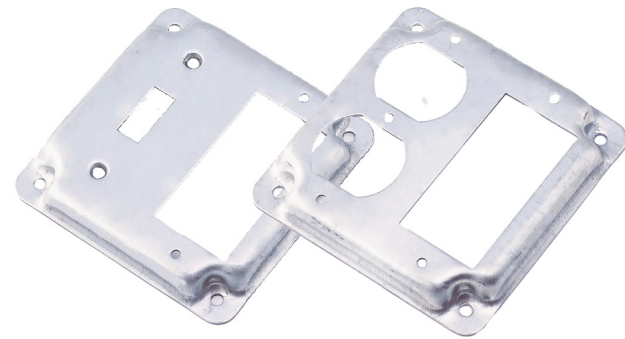
- 4" square to round raised device rings are used to mount light fixtures in walls and ceilings
- Square to round device rings convert a 4" square box to a 3-1/2" round opening with 8-32 threaded mounting tabs for lighting retrofit applications.
- Angled slots on the covers compensate for up to 12° of box misalignment on upright framing members.
- Galvanized steel construction.



CAT #	DESCRIPTION	KNOCKOUTS	PACKAGE INFORMATION		
			CUBIC INCHES	CASE QTY	CASE WT
C6500-50	4" SQ TO ROUND STEEL DEVICE RING, EARS 2 3/4" ON CENTRE, RAISED 1/2"		3	50	12
C6501-50	4" SQ TO ROUND STEEL DEVICE RING, EARS 2 3/4" ON CENTRE, RAISED 5/8"		4	50	17

Square Box Extensions & Rings

4" Industrial Covers

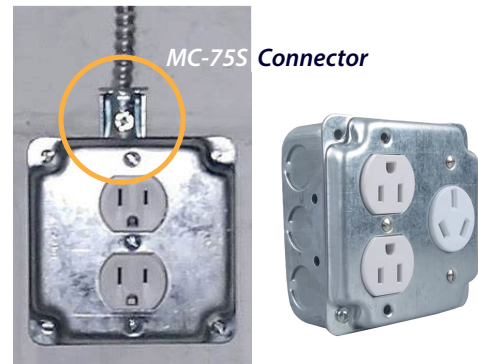


Features & Benefits:

- 4" square raised, exposed work device rings are used with 4" square boxes to mount switches, receptacles and devices in a commercial or industrial application.
- Crushed corners allow for use of standard box cover screws.
- Angled slots on the covers compensate for up to 12° of box misalignment on upright framing members.
- Galvanized steel construction.



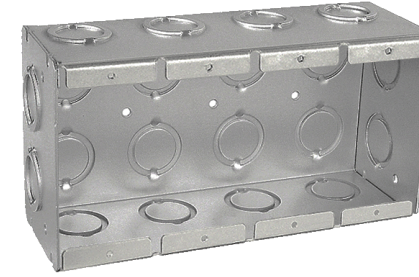
CAT #	DESCRIPTION	KNOCKOUTS	PACKAGE INFORMATION		
			CUBIC INCHES	CASE QTY	CASE WT
C2237-50	4" SQ STEEL INDUSTRIAL COVER, (1) GFI (1) DUPLEX RECEPTACLE, RAISED 5/8"		6.6	50	16
C2238-50	4" SQ STEEL INDUSTRIAL COVER, (1) GFI (1) TOGGLE SWITCH, RAISED 5/8"		6.6	50	16
C2239-50	4" SQ STEEL INDUSTRIAL COVER, (1) - GFI, RAISED 5/8"		6.6	50	16
C2240-50	4" SQ STEEL INDUSTRIAL COVER, (2) - GFI, RAISED 5/8"		6.6	50	16
C2242-50	4" SQ STEEL INDUSTRIAL COVER, (1) TOGGLE (1) DUPLEX RECEPTACLE, RAISED 5/8"		6.6	50	17
C2243-50	4" SQ STEEL INDUSTRIAL COVER, (2) - DUPLEX RECEPTACLE, RAISED 5/8"		6.6	50	14
C2244-50	4" SQ STEEL INDUSTRIAL COVER, (1) - 15A 1.406" DIAMETER, RAISED 5/8"		6.6	50	17
C2245-50	4" SQ STEEL INDUSTRIAL COVER, (2) - TOGGLE SWITCH, RAISED 5/8"		6.6	50	19
C2246-50	4" SQ STEEL INDUSTRIAL COVER, (1) - 40A/50A 2.155" DIAMETER, RAISED 5/8"		6.6	50	16
C2247-50	4" SQ STEEL INDUSTRIAL COVER, (1) - DUPLEX (1) - 15A 1.406" DIAMETER, RAISED 5/8"		6.6	50	16
C2249-50	4" SQ STEEL INDUSTRIAL COVER, (1) - TOGGLE SWITCH, RAISED 5/8"		6.6	50	19
C2250-50	4" SQ STEEL INDUSTRIAL COVER, (2) - 15A 1.406" DIAMETER, RAISED 5/8"		6.6	50	18
C2251-50	4" SQ STEEL INDUSTRIAL COVER, (1) - 20A 1.60" DIAMETER, RAISED 5/8"		6.6	50	18
C3451-50	4" SQ STEEL INDUSTRIAL COVER, (1) - DUPLEX RECEPTACLE, RAISED 5/8"		6.6	50	17
C3452-50	4" SQ STEEL INDUSTRIAL COVER, (1) - TOGGLE (1) - DUPLEX FLUSH RECEPTACLE, RAISED 5/8"		6.6	50	18
C3454-50	4" SQ STEEL INDUSTRIAL COVER, (1) - DUPLEX FLUSH RECEPTACLE, RAISED 5/8"		6.6	50	18



C3451-50 4" Industrial Cover

Masonry Boxes

2 1/2" Deep Masonry Boxes



Features & Benefits:

- Masonry boxes are used as a junction box or to secure a wiring device in masonry block construction.
- 2-1/2" deep boxes are used in 4" block walls, 3-1/2" deep boxes are used in 6" or 8" block walls.
- Concentric combination knockouts.
- 6/32 Device Mounting Tab holes
- Galvanized steel construction.



CAT #	DESCRIPTION	KNOCKOUTS	PACKAGE INFORMATION		
			CUBIC INCHES	CASE QTY	CASE WT
MAB71	1 GANG MASONRY BOX, 2 1/2" DEEP, 1/2" & 3/4" KO	SIDES: (6) 1/2" & 3/4" CONCENTRIC BOTTOM: (2) 1/2" & 3/4" CONCENTRIC	13.8	20	13.5
MAB72	2 GANG MASONRY BOX, 2 1/2" DEEP, 1/2" & 3/4" KO	SIDES: (8) 1/2" & 3/4" CONCENTRIC BOTTOM: (4) 1/2" & 3/4" CONCENTRIC	30	20	12
MAB73	3 GANG MASONRY BOX, 2 1/2" DEEP, 1/2" & 3/4" KO	SIDES: (10) 1/2" & 3/4" CONCENTRIC BOTTOM: (6) 1/2" & 3/4" CONCENTRIC	45	10	8.1
MAB74	4 GANG MASONRY BOX, 2 1/2" DEEP, 1/2" & 3/4" KO	SIDES: (12) 1/2" & 3/4" CONCENTRIC BOTTOM: (8) 1/2" & 3/4" CONCENTRIC	59	5	3.5

3 1/2" Deep Masonry Boxes



Features & Benefits:

- Masonry boxes are used as a junction box or to secure a wiring device in masonry block construction.
- 2-1/2" deep boxes are used in 4" block walls, 3-1/2" deep boxes are used in 6" or 8" block walls.
- Concentric combination knockouts.
- 6/32 Device Mounting Tab holes
- Galvanized steel construction.



CAT #	DESCRIPTION	KNOCKOUTS	PACKAGE INFORMATION		
			CUBIC INCHES	CASE QTY	CASE WT
MAB91	1 GANG MASONRY BOX, 3 1/2" DEEP, 1/2" & 3/4" KO	SIDES: (8) 1/2" & 3/4" CONCENTRIC BOTTOM: (2) 1/2" & 3/4" CONCENTRIC	21	20	14
MAB92	2 GANG MASONRY BOX, 3 1/2" DEEP, 1/2" & 3/4" KO	SIDES: (12) 1/2" & 3/4" CONCENTRIC BOTTOM: (4) 1/2" & 3/4" CONCENTRIC	44	10	10
MAB93	3 GANG MASONRY BOX, 3 1/2" DEEP, 1/2" & 3/4" KO	SIDES: (16) 1/2" & 3/4" CONCENTRIC BOTTOM: (6) 1/2" & 3/4" CONCENTRIC	65	10	15
MAB94	4 GANG MASONRY BOX, 3 1/2" DEEP, 1/2" & 3/4" KO	SIDES: (20) 1/2" & 3/4" CONCENTRIC BOTTOM: (8) 1/2" & 3/4" CONCENTRIC	87	5	9

Masonry Boxes

3 1/2" Deep Gangable Masonry Box



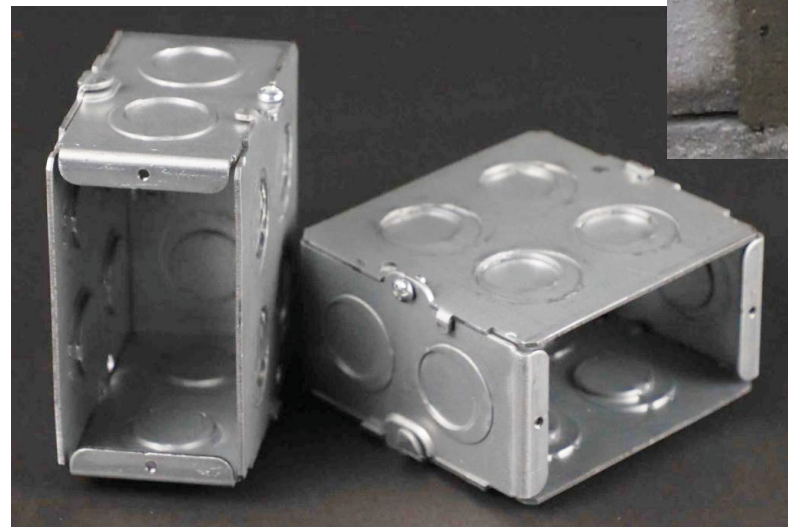
Features & Benefits:

- Gangable masonry boxes allow for greater flexibility during installation.
- 3-1/2" deep boxes are used in 6" or 8" block walls.
- Concentric combination knockouts.
- 6/32 Device Mounting Tab holes.
- Galvanized steel construction.



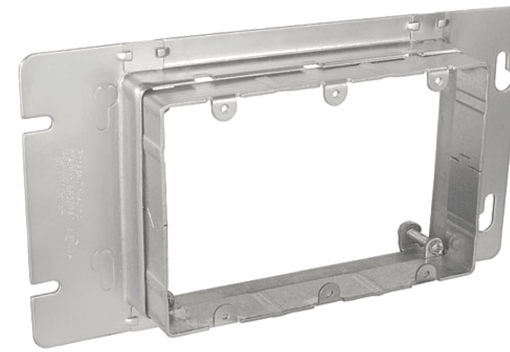
CAT #	DESCRIPTION	KNOCKOUTS	PACKAGE INFORMATION		
			CUBIC INCHES	CASE QTY	CASE WT
MAG91	GANGABLE MASONRY BOX, 3 1/2" DEEP, 1/2" & 3/4" KO	SIDES: (8) 1/2" & 3/4" CONCENTRIC BOTTOM: (2) 1/2" & 3/4" CONCENTRIC	21	20	14

MAB71 / MAB91 Masonry Box



Masonry Boxes

Adjustable Device Rings



Features & Benefits:

- Adjustable device rings for multi-gang box installations allow for perfectly flush installations with securely fastened and well grounded devices.
- Adjustable 3/4" to 1 1/2"
- Device rings may be used in ceilings, walls and floors when finished surface depths are unknown, or questionable.
- Galvanized steel construction.



CAT #	DESCRIPTION	PACKAGE INFORMATION		
		CUBIC INCHES	CASE QTY	CASE WT
GBADR3	3 GANG ADJUSTABLE DEPTH, DEVICE RING 3/4" - 1 1/2"	16.5	25	22
GBADR4	4 GANG ADJUSTABLE DEPTH, DEVICE RING 3/4" - 1 1/2"	21.7	5	5
GBADR5	5 GANG ADJUSTABLE DEPTH, DEVICE RING 3/4" - 1 1/2"	27.1	5	6

Gang Box Device Rings



Features & Benefits:

- Perfect for exposed work applications, providing an easy method for the installation of electrical devices
- Raised device lip
- Slots allow for easy installation
- Galvanized steel construction.



CAT #	DESCRIPTION	PACKAGE INFORMATION		
		CUBIC INCHES	CASE QTY	CASE WT
GBDC12	2 GANG MULTI DEVICE RING 1/2" RAISED	8	20	10
GBDC13	3 GANG MULTI DEVICE RING 1/2" RAISED	11.5	20	11
GBDC14	4 GANG MULTI DEVICE RING 1/2" RAISED	14.8	10	6
GBDC15	5 GANG MULTI DEVICE RING 1/2" RAISED	17.5	10	7
GBDC16	6 GANG MULTI DEVICE RING 1/2" RAISED	20.3	5	4
GBDC23	3 GANG MULTI DEVICE RING 3/4" RAISED	17	20	11
GBDC24	4 GANG MULTI DEVICE RING 3/4" RAISED	21.5	10	8

FMC Fittings

Combination Coupling - EMT/FMC



Features & Benefits:

- Used to connect Flexible Metal Conduit, AC or MC to EMT.
- Set screw type connection to EMT conduit and clamp type connection to FMC.
- For dry use only.
- Zinc Die Cast construction.

Certifications: UL-514B

CAT #	TRADE SIZE	DESCRIPTION	PACKAGE INFORMATION		
			INNER CARTON	MASTER CASE	CASE LBS
SKFC-38	1/2" - 3/8"	1/2" EMT TO 3/8" FMC	50	500	50
SKFC-50	1/2" - 1/2"	1/2" EMT TO 1/2" FMC	25	250	25
SKFC-75	3/4" - 3/4"	3/4" EMT TO 3/4" FMC	10	100	15
SKFC-100	1" - 1"	1" EMT TO 1" FMC		50	13



Squeeze Type Straight Connector



Features & Benefits:

- Squeeze type connector used to connect Flexible Metal Conduit to a box or enclosure.
- Zinc Die Cast construction.

Certifications: UL-514B

CAT #	TRADE SIZE	DESCRIPTION	PACKAGE INFORMATION		
			INNER CARTON	MASTER CASE	CASE LBS
SQ-50	1/2"	SQUEEZE TYPE CONNECTOR	50	200	28
SQ-75	3/4"	SQUEEZE TYPE CONNECTOR	50	100	13
SQ-100	1"	SQUEEZE TYPE CONNECTOR	10	100	15
SQ-125	1 1/4"	SQUEEZE TYPE CONNECTOR	10	100	29
SQ-150	1 1/2"	SQUEEZE TYPE CONNECTOR	5	50	20
SQ-200	2"	SQUEEZE TYPE CONNECTOR	10	40	21
SQ-250	2 1/2"	SQUEEZE TYPE CONNECTOR		10	9
SQ-300	3"	SQUEEZE TYPE CONNECTOR		10	17
SQ-350	3 1/2"	SQUEEZE TYPE CONNECTOR		1	2
SQ-400	4"	SQUEEZE TYPE CONNECTOR		1	3



FMC Fittings

Squeeze Type 90° Connector



Features & Benefits:

- 90° Squeeze type connectors are used to connect Flexible Metal Conduit to a box or enclosure.
- Zinc Die Cast construction.

Certifications: UL-514B

CAT #	TRADE SIZE	DESCRIPTION	PACKAGE INFORMATION		
			INNER CARTON	MASTER CASE	CASE LBS
SQ90-38	3/8"	90° SQUEEZE CONNECTOR	50	500	45
SQ90-50	1/2"	90° SQUEEZE CONNECTOR	25	250	35
SQ90-75	3/4"	90° SQUEEZE CONNECTOR	10	100	20
SQ90-100	1"	90° SQUEEZE CONNECTOR	5	50	19
SQ90-125	1 1/4"	90° SQUEEZE CONNECTOR	10	40	8
SQ90-150	1 1/2"	90° SQUEEZE CONNECTOR		5	5
SQ90-200	2"	90° SQUEEZE CONNECTOR		5	6



Malleable Iron Squeeze Type 90° Connector



Features & Benefits:

- 90° Squeeze type connectors are used to connect Flexible Metal Conduit to a box or enclosure.
- Zinc Plated Malleable Iron construction.

Certifications: UL-514B

CAT #	TRADE SIZE	DESCRIPTION	PACKAGE INFORMATION		
			INNER CARTON	MASTER CASE	CASE LBS
SQ90-250M	2 1/2"	90° SQUEEZE CONNECTOR		5	18
SQ90-300M	3"	90° SQUEEZE CONNECTOR		5	20
SQ90-350M	3 1/2"	90° SQUEEZE CONNECTOR		1	2
SQ90-400M	4"	90° SQUEEZE CONNECTOR		1	11



AC & MC Single Cable Connectors

Saddle Connectors



Features & Benefits:

- Single Screw Saddle type connector used to connect armored cable or metal clad cable to a box or enclosure.
- For use in dry locations.
- Zinc Die Cast construction.

Certifications: UL-514B

CAT #	TRADE SIZE	DESCRIPTION	CABLE SIZES	PACKAGE INFO	
				MASTER CASE	CASE LBS
MC-SAD-38S	3/8"	ARMORED CABLE, STEEL	14/2 - 8/2	500	33
		ARMORED CABLE, ALUMINUM	14/2 - 8/2		
		HCF ARMORED CABLE, STEEL	14/2 - 8/2		
		HCF ARMORED CABLE, ALUMINUM	14/2 - 8/2		
		METAL CLAD CABLE, MCI, STEEL	14/2 - 10/4		
		METAL CLAD CABLE, MCI, ALUMINUM	14/2 - 10/4		
		METAL CLAD CABLE, MCI-A, ALUMINUM	14/2 - 10/4		
		HCF, MCI-A	14/2 - 10/4		
		FMC / RWFMC / XRWFMC, STEEL	3/8"		
		FMC / RWFMC / XRWFMC, ALUMINUM	3/8"		
		NM CABLE	14/2 - 12/3		
		MC - PCS	12/2 - 12/3		



AC & MC Single Cable Connectors

Low Profile Saddle Bite Connectors



Features & Benefits:

- Single Screw Saddle type Low-Profile connectors are used to connect armored cable or metal clad cable to a box or enclosure.
- For use in dry locations.
- Zinc Die Cast construction.

Certifications: UL-514B

CAT #	TRADE SIZE	DESCRIPTION	CABLE SIZES	PACKAGE INFO	
				MASTER CASE	CASE LBS
BX-38	1/2"	ARMORED CABLE, STEEL	14/2 - 10/4	100	5
		ARMORED CABLE, ALUMINUM	14/2 - 10/4		
		METAL CLAD CABLE, MCI, STEEL	14/2 - 10/4		
		METAL CLAD CABLE, MCI, ALUMINUM	14/2 - 10/4		
		METAL CLAD CABLE, MCI-A, ALUMINUM	14/2 - 10/4		
		METAL CLAD CABLE, MCC ALUMINUM	14/2		
		FMC/RWFMC, STEEL	3/8"		
		FMC/RWFMC ALUMINUM	3/8"		



Two Screw - Strap Type Multi-Purpose Connector



Features & Benefits:

- Multi-purpose connector is used to connect armored cable or metal clad cable to a box or enclosure.
- For use in dry locations.
- Zinc Die Cast construction.

Certifications: UL-514B

CAT #	TRADE SIZE	DESCRIPTION	CABLE SIZES	PACKAGE INFO	
				MASTER CASE	CASE LBS
MC-38S	1/2"	ARMORED CABLE, STEEL	14/2 - 10/3	500	19
		ARMORED CABLE, ALUMINUM	14/2 - 10/3		
		HCF ARMORED CABLE, STEEL	14/2 - 10/3		
		HCF ARMORED CABLE, ALUMINUM	14/2 - 10/3		
		METAL CLAD CABLE, MCI, STEEL	14/2 - 10/3		
		METAL CLAD CABLE, MCI, ALUMINUM	14/2 - 10/3		
		METAL CLAD CABLE, MCI-A, ALUMINUM	14/2 - 10/3		
		HCF, MCI-A	14/2 - 10/3		
		FMC / RWFMC / XRWFMC, STEEL	3/8"		
		FMC / RWFMC / XRWFMC, ALUMINUM	3/8"		
		NM CABLE	14/2 - 10/3		
		SJO, FLEXIBLE CORD	12/2 - 12/3		



Steel Connectors



Features & Benefits:

- Single Cable Connectors are used to connect armored, metal clad cable or flexible metallic conduit to a box or enclosure
- Steel construction..

Certifications: UL-514B

CAT #	TRADE SIZE	DESCRIPTION	CABLE SIZES	PACKAGE INFO	
				MASTER CASE	CASE LBS
MC-75S	3/4"	ARMORED CABLE, STEEL	10/3 - 6/3	250	15
		ARMORED CABLE, ALUMINUM	10/3 - 6/3		
		HCF ARMORED CABLE, STEEL	10/3 - 6/3		
		HCF ARMORED CABLE, ALUMINUM	10/3 - 6/3		
		METAL CLAD CABLE, STEEL	10/3 - 6/3		
		METAL CLAD CABLE, MCI ALUMINUM	10/3 - 6/3		
		METAL CLAD CABLE, MCI-A, ALUMINUM	8/3 - 6/3		
		FMC / RWFMC / XRWFMC, STEEL	1/2"		
		FMC / RWFMC / XRWFMC, ALUMINUM	1/2"		
		MC - PCS	12/2 - 12/3		



Duplex Connectors

BX Connectors



Features & Benefits:

- Duplex connectors are used to connect armored or metal clad cable to a box or enclosure.
- Zinc Die Cast construction.

Certifications: UL-514B

CAT #	TRADE SIZE	DESCRIPTION	CABLE SIZES	PACKAGE INFO	
				MASTER CASE	CASE LBS
MC-DX-38	3/8"	ARMORED CABLE, STEEL	14/2 - 10/3	250	24
		ARMORED CABLE, ALUMINUM	14/2 - 10/3		
		METAL CLAD CABLE, STEEL	10/3		
		METAL CLAD CABLE, ALUMINUM	10/3		
		METAL CLAD CABLE, MCI-A, ALUMINUM	14/2 - 10/4		
		FMC / RWFMC, STEEL	3/8"		
		FMC / RWFMC, ALUMINUM	3/8"		
		NM CABLE	14/2 - 12/3		



Single Screw BX Connectors



Features & Benefits:

- Consistent Quality – East Electrical Connectors are manufactured for long life, durability, and strength.
- For use in dry locations to connect flexible metallic conduit and steel AC cable to a box, load center or enclosure.

Standard Materials:

- Zinc Die-Cast
- Screw - Zinc Plated Steel

Certifications: UL-514B

CAT #	TRADE SIZE	DESCRIPTION	CABLE SIZES	PACKAGE INFO	
				MASTER CASE	CASE LBS
DMC-38S	3/8"	ARMORED CABLE, STEEL	14/2 - 10/3	250	14
		ARMORED CABLE, ALUMINUM	14/2 - 12/4		
		HCF ARMORED CABLE, STEEL	14/2 - 10/3		
		HCF ARMORED CABLE, ALUMINUM	14/2 - 12/4		
		METAL CLAD CABLE, MCI STEEL	14/2 - 12/4		
		METAL CLAD CABLE, MCI ALUMINUM	14/2 - 12/4		
		METAL CLAD CABLE, MCI-A, ALUMINUM	12/4 - 10/3		
		FMC / RWFMC / XRWFMC	3/8"		
		FMC / RWFMC, ALUMINUM	3/8"		
		MC - PCS	12/2 - 12/3		



Single Screw BX Connectors



Features & Benefits:

- Duplex connectors are used to connect armored or metal clad cable to a box or enclosure.
- Zinc Die Cast construction.

Certifications: UL-514B

CAT #	TRADE SIZE	DESCRIPTION	CABLE SIZES	PACKAGE INFO	
				MASTER CASE	CASE LBS
DCA-38	3/8"	ARMORED CABLE, STEEL	14/2 - 12/4	250	11
		ARMORED CABLE, ALUMINUM	14/2 - 12/4		
		METAL CLAD CABLE, MCI STEEL	14/2 - 12/4		
		METAL CLAD CABLE, MCI ALUMINUM	14/2 - 12/4		
		METAL CLAD CABLE, MCI-A, ALUMINUM	12/4 - 10/3		
		FMC / RWFMC / XRWFMC	3/8		
		FMC / RWFMC, ALUMINUM	3/8		



AC & MC Fittings

BX One Hole Strap

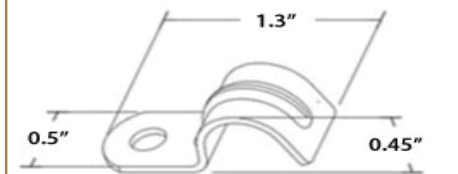


Features & Benefits:

- Used to secure AC or MC cable to wood, masonry or similar surfaces.
- Inverted rib provides extra strength
- Zinc Plated Steel construction

Certifications: UL-514B

CAT #	DESCRIPTION	CABLE SIZES	PACKAGE INFORMATION		
			INNER CARTON	MASTER CASE	CASE LBS
OHS-1S	ARMORED CABLE, STEEL	14/2 - 10/3	1000	9	
	ARMORED CABLE, ALUMINUM	14/2 - 10/3			
	HCF ARMORED CABLE, STEEL	14/2 - 10/3			
	HCF ARMORED CABLE, ALUMINUM	14/2 - 10/3			
	METAL CLAD CABLE, MCI, STEEL	14/2 - 10/3			
	METAL CLAD CABLE, MCI, ALUMINUM	14/2 - 10/3			
	METAL CLAD CABLE, MCI-A, ALUMINUM	14/2 - 10/4			
	HCF, MCI-A	14/2 - 10/4			
	FMC / RWFMC / XRWFMC, STEEL	3/8"			
	FMC / RWFMC / XRWFMC, ALUMINUM	3/8"			
	NM CABLE	14/2 - 8/3			
	SJO FLEX CORD	18/3 - 12/3			



Flexible Conduit

Steel



Features & Benefits:

- Consistent Quality – East Electrical Flexible Steel Conduit is manufactured for long life; durability and strength, and suitable for bending. The conduit is produced to ensure quality standards are strictly met. The product is easy to cut, bend and join on the job.
- Excellent Inner-Diameter Smoothness.
- Lower Life-Cycle Costs – Our Conduit resists cracking, flaking, peeling, impact, and damage from severe bending. Its physical and mechanical properties ensure that the pipe has an extended Life Cycle.



Certifications: UL-514B

CAT#	TRADE SIZE IN	UNIT CTN	OUTSIDE DIAMETER		INSIDE DIAMETER		WT /100 ft LBS	PACKAGE INFORMATION	
			MIN IN	MAX IN	MIN IN	MAX IN		MASTER CASE	WT LBS
RWS-38100	3/8"	COIL	.555	.571	.374	.376	15.9	100'	15.9
RWS-50100	1/2"	COIL	.850	.866	.618	.634	16	100'	16
RWS-50500	1/2"	REEL	.850	.866	.618	.634	16	500'	80
RWS-501000	1/2"	REEL	.850	.866	.618	.634	16	1000'	160
RWS-50100UL	1/2"	COIL	.850	.866	.618	.634	16	100'	16
RWS-75100	3/4"	COIL	1.043	1.063	.827	.846	16	100'	16
RWS-75300	3/4"	REEL	1.043	1.063	.827	.846	16	300'	48
RWS-75500	3/4"	REEL	1.043	1.063	.827	.846	16	500'	80
RWS-75100UL	3/4"	COIL	1.043	1.063	.827	.846	16	100'	16
RWS-751000UL	3/4"	REEL	1.043	1.063	.827	.846	16	1000'	160
RWS-100100	1"	COIL	1.280	1.299	1.039	1.059	50	100'	50
RWS-100200	1"	REEL	1.280	1.299	1.039	1.059	50	200'	100
RWS-100300	1"	REEL	1.280	1.299	1.039	1.059	50	300'	150
RWS-10050UL	1"	COIL	1.280	1.299	1.039	1.059	50	50'	25
RWS-12550	1 1/4"	COIL	1.512	1.535	1.319	1.343	52	50'	26
RWS-125200	1 1/2"	REEL	1.827	1.850	1.496	1.520	63	200'	126
RWS-15050	1 1/2"	COIL	1.827	1.850	1.496	1.520	63	150'	95
RWS-150100	1 1/2"	REEL	1.827	1.850	1.496	1.520	63	50'	32
RWS-20025	2"	COIL	2.335	2.362	2.047	2.075	81	25'	21
RWS-200100	2"	REEL	2.335	2.362	2.047	2.075	81	100'	81
RWS-25025	2 1/2"	COIL						25'	
RWS-30025	3"	COIL						25'	
RWS-35025	3 1/2"	COIL						25'	
RWS-40025	4"	COIL						25'	



Flexible Conduit

Aluminum



Features & Benefits:

- Consistent Quality – East Electrical Flexible Steel Conduit is manufactured for long life; durability and strength, and suitable for bending. The conduit is produced to ensure quality standards are strictly met. The product is easy to cut, bend and join on the job.
- Excellent Inner-Diameter Smoothness.
- Lower Life-Cycle Costs – Our Conduit resists cracking, flaking, peeling, impact, and damage from severe bending. Its physical and mechanical properties ensure that the pipe has an extended Life Cycle.



Certifications: UL-514B

CAT#	TRADE SIZE IN	UNIT CTN	OUTSIDE DIAMETER		INSIDE DIAMETER		WT /100 ft LBS	PACKAGE INFORMATION	
			MIN IN	MAX IN	MIN IN	MAX IN		MASTER CASE	WT LBS
RWA-38100	3/8"	COIL	0.560	0.610	0.375	0.393	7	100'	7
RWA-38250	3/8"	REEL	0.560	0.610	0.375	0.393	7	250'	17.5
RWA-50100	1/2"	COIL	0.860	0.920	0.625	0.645	9.4	100'	9.4
RWA-501000	1/2"	REEL	0.860	0.920	0.625	0.645	9.4	1000'	94
RWA-75100	3/4"	COIL	1.045	1.105	0.812	0.835	12.5	100'	12.5
RWA-75500	3/4"	REEL	1.045	1.105	0.812	0.835	12.5	500'	62.5
RWA-10050	1"	COIL	1.300	1.380	1.000	1.040	19.6	50'	9.8
RWA-100300	1"	REEL	1.300	1.380	1.000	1.040	19.6	300'	58.8
RWA-12550	1 1/4"	COIL	1.550	1.630	1.250	1.300	23.9	50'	11.95
RWA-125200	1 1/2"	REEL	1.850	1.950	1.500	1.575	31.1	200'	62.2
RWA-15025	1 1/2"	COIL	1.850	1.950	1.500	1.575	31.1	25'	7.8
RWA-150100	1 1/2"	REEL	1.850	1.950	1.500	1.575	31.1	100'	31.1
RWA-20025	2"	COIL	2.350	2.450	2.000	2.080	40.2	25'	10
RWA-200100	2"	REEL	2.350	2.450	2.000	2.080	40.2	100'	40.2
RWA-25025	2 1/2"	COIL	2.860	3.060	2.500	2.575	65.6	25'	16.4
RWA-30025	3"	COIL	3.360	3.560	3.000	3.075	76.0	25'	19.0
RWA-35025	3 1/2"	COIL	3.860	4.060	3.500	3.575	87.3	25'	21.8
RWA-40025	4"	COIL					77.3	25'	19.4



NM Cable Fittings

Two-Screw Strap Type NM & SE Connectors

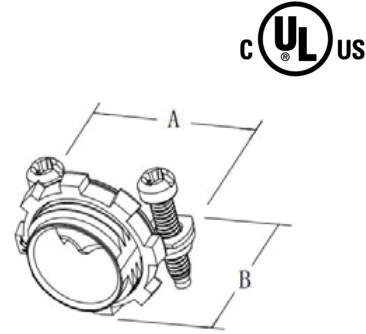
Features & Benefits:

- For use in connecting NM, SE cable and flexible cord to a box or enclosure..
- Zinc Die Cast construction



Certifications: UL-514B

CAT#	TRADE SIZE	A Width	B LENGTH	WT /100pcs	PACKAGE INFORMATION		
	IN	IN	IN		INNER CASE	MASTER CASE	WT LBS
NC-38	3/8"	1.18	0.80	5.00		1000	50
NC-75	3/4"	1.67	0.94	1.78	25	100	2
NC-100	1"	1.93	1.10	4.30	25	100	5



Two-Screw Strap Type NM & SEU Connectors

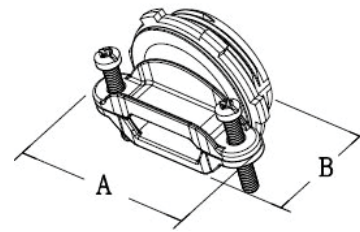
Features & Benefits:

- For use in connecting NM, and SEU cable to a box or enclosure.
- Zinc Die Cast construction.



Certifications: UL-514B

CAT#	TRADE SIZE	A Width	B LENGTH	WT /100pcs	PACKAGE INFORMATION		
	IN	IN	IN		INNER CASE	MASTER CASE	WT LBS
RC-125	1 1/4"	2.26	1.29	20.21	10	100	20
RC-150	1 1/2"	2.84	1.30	26.32	10	100	27
RC-200	2"	3.48	1.51	40.85	5	50	21



Two-Screw Strap Type Combination Connector

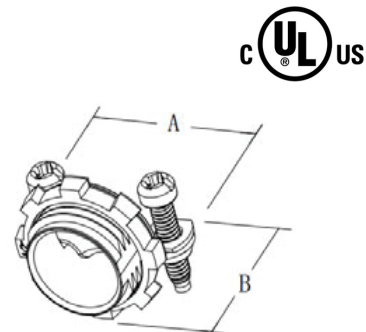
Features & Benefits:

- For use in connecting NM, BX, FLEX cable to a box or enclosure.
- Zinc Die Cast construction.



Certifications: UL-514B

CAT#	TRADE SIZE	A Width	B LENGTH	CABLE MIN/MAX IN	PACKAGE INFORMATION		
	IN	IN	IN		INNER CASE	MASTER CASE	WT LBS
MNC-38	3/8"	1.21	0.80	0.18/0.64		1000	60



NM Cable Fittings

PVC "Snap-In" Type Connectors

Features & Benefits:

- For connecting nonmetallic cable to box or enclosure.
- Locknut not required.
- PVC construction.
- Rated to 105°C.



Certifications: UL-514B

CAT#	TRADE SIZE	SINGLE CABLE	DOUBLE CABLE	RANGE IN	PACKAGE INFORMATION		
	IN				INNER CASE	MASTER CASE	WT LBS
PBC-50NM	1/2"	14/2 - 10/3	14/2 - 12/2	0.3" - 0.6"		1000	
PBC-75NM	3/4"	8/3 - 6/3	14/3 - 10/2	0.5" - 0.85"		500	



Duplex Connector

Features & Benefits:

- Consistent Quality – East Electrical Connectors are manufactured for long life, durability, and strength.
- For use in dry locations to connect NM cable, flexible metallic conduit and steel AC cable to a box, load center or enclosure.
- Zinc Die Cast construction



Certifications: UL-514B

CAT #	TRADE SIZE	DESCRIPTION	CABLE SIZES	PACKAGE INFO	
				MASTER CASE	MASTER CASE LBS
MC-DX-38	3/8"	ARMORED CABLE, STEEL	14/2 - 10/3	250	24
		ARMORED CABLE, ALUMINUM	14/2 - 10/3		
		METAL CLAD CABLE, STEEL	10/3		
		METAL CLAD CABLE, ALUMINUM	10/3		
		METAL CLAD CABLE, MCI-A, ALUMINUM	14/2 - 10/4		
		FMC / RWFMC , STEEL	3/8"		
		FMC / RWFMC, ALUMINUM	3/8"		
		NM CABLE	14/2 - 12/3		



One Hole Strap

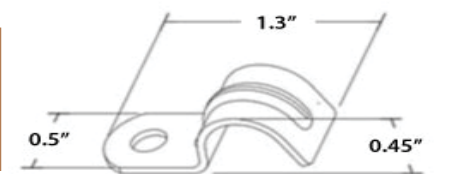
Features & Benefits:

- Used to secure NM and AC/MC cable to wood, masonry or similar surface.
- Inverted rib provides extra strength



Certifications: UL-514B

CAT #	DESCRIPTION	CABLE SIZES	PACKAGE INFORMATION		
			INNER CARTON	MASTER CASE	MASTER CASE LBS
OHS-1S	NM CABLE	14/2 - 8/3		1000	9



Weatherproof Boxes & Covers

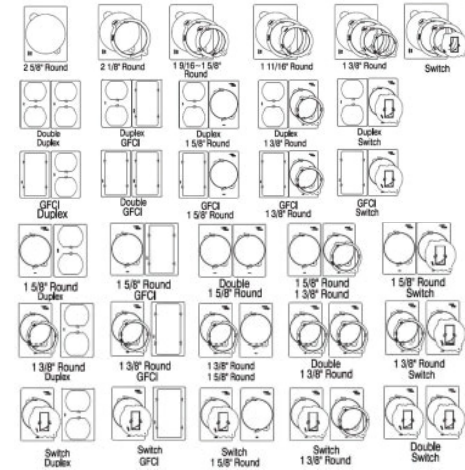
AnyCover™



14-IN-1 Configuration Inserts:

Duplex	GFCI	Toggle	1-3/8" Round	1-9/16"-1-5/8" Round	1-11/16" Round	2-1/8" Round
Duplex Adapter	GFCI Adapter	2-1/8" Adapter Toggle Adapter	2-1/8" Adapter 1-8/16"-1-5/8" Ring 1-3/8" Ring	2-1/8" Adapter 1-8/16"-1-5/8" Ring	2-1/8" Adapter 1-11/16" Ring	2-1/8" Adapter

31-IN-1 Configuration Inserts:



WIUP-1



WIUP-2D



Certifications: UL-514C

CAT #	TRADE SIZE	DESCRIPTION	PACKAGE INFORMATION		
			INNER CARTON	MASTER CASE	CASE LBS
WIUP-1	1-GANG	14-IN-1, SHALLOW TYPE	24	24	5.5
WIUP-2D	2-GANG	14-IN-1, DEEP TYPE	10	10	3.5



Features & Benefits:

- Patented building-block adapter provides flexibility in receptacle configuration.
- Snap-In Templates
- Single-Gang Mounts Horizontally or Vertically.
- Lockable
- Swivel Device Adapter requires no tools to install
- Latching tab secures cover closed
- Extra large cord opening
- Meets 2014 NEC Article 406.9 (B)(1) Extra Duty Specification.
- Sturdy polycarbonate construction for long life

Weatherproof Boxes & Covers

Weatherproof Covers



Certifications: UL-514A

CAT#	TRADE SIZE	DESCRIPTION	PACKAGE INFORMATION		
			INNER CASE	MASTER CASE	CASE LBS
1-BC	1-GANG	1-GANG WP COVER with GASKET	100	100	3
2-BC	2-GANG	2-GANG WP COVER with GASKET	100	100	12
3-BC	3-GANG	3-GANG WP COVER with GASKET	100	100	20

Features & Benefits:

- UL Listed for wet locations
- Weather seal gasket included to keep moisture out.
- Copper-free Aluminum construction.



Single-Gang Outlet Boxes



Certifications: UL-514A

CAT#	TRADE KO SIZE	A LENGTH IN	B WIDTH IN	C HEIGHT IN	WT /100pcs LBS	PACKAGE INFORMATION		
						INNER CASE	MASTER CASE	CASE LBS
FSB50-3	1/2"	4.61	2.83	2.01	25.48	25	25	7
FSB75-3	3/4"	4.61	2.83	2.01	24.70	25	25	6

Features & Benefits:

- UL Listed for wet locations.
- 2" depth.
- Includes four (2) closure plugs and grounding screws.
- Copper-free Die Cast Aluminum construction.
- Grey Finish



Round Boxes



Certifications: UL-514A

CAT#	TRADE SIZE IN	A DIAMETER IN	B HEIGHT IN	WT /100pcs LBS	PACKAGE INFORMATION		
					INNER CASE	MASTER CASE	CASE LBS
BRD-4	1/2"	4.21	1.61	23.8	24	24	6
RB-7	3/4"	4.21	1.61	23.3	24	24	6

Features & Benefits:

- UL Listed for wet locations.
- Includes four (4) closure plugs, mounting lugs and grounding screws.
- Copper-free Aluminum construction.
- Grey Finish





Clamp on Type



Features & Benefits:

- Die-cast oval service entrance caps are used as a connecting point in an overhead service entrance cable.
- Water Resistant to protect conductors.
- Clamp-on style allows connection to non-threaded mast.
- For use in connecting SEU cable to an overhead service entrance.



Certifications: UL-514B

CAT#	WIRE SIZE	PACKAGE INFORMATION		
		INNER CASE	MASTER CASE	WT LBS
SEC-62A	1/0 - 4/0		10	11

Service Entrance Caps

Clamp on Type

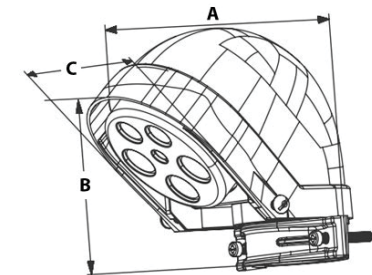
Features & Benefits:

- Clamp type weather resistant aluminum entrance caps for threaded or non-threaded rigid conduit, IMC or EMT service mast..
- For use in connecting to a Rigid, IMC or EMT overhead service mast.
- Weather Resistant



Certifications: UL-514B

CAT#	TRADE SIZE IN	INSIDE HOLE SIZE IN	# HOLES	A DEPTH IN	B LENGTH IN	C WIDTH IN	PACKAGE INFORMATION		
							INNER CASE	MASTER CASE	WT LBS
CEC-50	1/2"	19/64	4	2.93	2.62	2.00	10	50	15
CEC-75	3/4"	3/8	2	3.25	2.75	2.37	5	25	8
		13/32	3						
CEC-100	1"	7/16	2	3.50	3.25	2.62	5	25	9
		1/2	3						
CEC-125	1 1/4"	27/64	2	4.50	3.25	3.00	5	25	12
		5/8	3						
		19/32	2						
CEC-150	1 1/2"	7/16	1	5.00	4.75	3.31	3	15	11
		3/4	3						
		17/32	1						
CEC-200	2"	3/4	2	6.75	6.00	4.62	1	5	5
		1	3						
		7/8	3						
CEC-250	2 1/2"	1	1	10.5	7.5	6		1	4
		1 5/16	3						
		7/8	3						
CEC-300N	3"	1	1	11.5	9	8		1	5
		1 5/16	3						
CEC-350	3 1/2"	1 1/8	4	12	9	8		1	5
		1 3/4	3						
CEC-400	4"	1 1/8	4	12	9	8		1	6
		1 3/4	3						



INDEX

PART#	SECTION NAME	PRODUCT DESCRIPTION	SECTION	PAGE
350RE15	Elbows, Nipples & Couplings	RIGID ELBOW	TWO	9
350RE225	Elbows, Nipples & Couplings	RIGID ELBOW	TWO	9
350RE30	Elbows, Nipples & Couplings	RIGID ELBOW	TWO	8
350RE45	Elbows, Nipples & Couplings	RIGID ELBOW	TWO	8
350RE90	Elbows, Nipples & Couplings	RIGID ELBOW	TWO	7
3-BC	Weatherproof	WEATHERPROOF COVERS	ELEVEN	78
400CGRN	Elbows, Nipples & Couplings	CLOSE NIPPLE	TWO	13
400EE15	Elbows, Nipples & Couplings	EMT ELBOW	TWO	7
400EE225	Elbows, Nipples & Couplings	EMT ELBOW	TWO	6
400EE30	Elbows, Nipples & Couplings	EMT ELBOW	TWO	6
400EE45	Elbows, Nipples & Couplings	EMT ELBOW	TWO	5
400EE90	Elbows, Nipples & Couplings	EMT ELBOW	TWO	5
400GRN1000	Elbows, Nipples & Couplings	RIGID NIPPLE	TWO	13
400GRN1200	Elbows, Nipples & Couplings	RIGID NIPPLE	TWO	13
400GRN400	Elbows, Nipples & Couplings	RIGID NIPPLE	TWO	13
400GRN500	Elbows, Nipples & Couplings	RIGID NIPPLE	TWO	13
400GRN600	Elbows, Nipples & Couplings	RIGID NIPPLE	TWO	13
400GRN800	Elbows, Nipples & Couplings	RIGID NIPPLE	TWO	13
400RC	Elbows, Nipples & Couplings	RIGID COUPLING	TWO	14
400RE15	Elbows, Nipples & Couplings	RIGID ELBOW	TWO	9
400RE225	Elbows, Nipples & Couplings	RIGID ELBOW	TWO	9
400RE30	Elbows, Nipples & Couplings	RIGID ELBOW	TWO	8
400RE45	Elbows, Nipples & Couplings	RIGID ELBOW	TWO	8
400RE45X24	Elbows, Nipples & Couplings	RIGID SPECIAL RADIUS ELBOW	TWO	11
400RE45X36	Elbows, Nipples & Couplings	RIGID SPECIAL RADIUS ELBOW	TWO	11
400RE45X48	Elbows, Nipples & Couplings	RIGID SPECIAL RADIUS ELBOW	TWO	11
400RE90	Elbows, Nipples & Couplings	RIGID ELBOW	TWO	7
400RE90X24	Elbows, Nipples & Couplings	RIGID SPECIAL RADIUS ELBOW	TWO	11
400RE90X36	Elbows, Nipples & Couplings	RIGID SPECIAL RADIUS ELBOW	TWO	11
400RE90X48	Elbows, Nipples & Couplings	RIGID SPECIAL RADIUS ELBOW	TWO	11
470S	Liquidtight Fittings	MALLEABLE IRON CONNECTOR	SIX	41
471S	Liquidtight Fittings	MALLEABLE IRON CONNECTOR	SIX	41
472S	Liquidtight Fittings	MALLEABLE IRON CONNECTOR	SIX	41
473S	Liquidtight Fittings	MALLEABLE IRON CONNECTOR	SIX	41
474S	Liquidtight Fittings	MALLEABLE IRON CONNECTOR	SIX	41
475S	Liquidtight Fittings	MALLEABLE IRON CONNECTOR	SIX	41
476S	Liquidtight Fittings	MALLEABLE IRON CONNECTOR	SIX	41
477S	Liquidtight Fittings	MALLEABLE IRON CONNECTOR	SIX	41
478S	Liquidtight Fittings	MALLEABLE IRON CONNECTOR	SIX	41
479S	Liquidtight Fittings	MALLEABLE IRON CONNECTOR	SIX	41
480S	Liquidtight Fittings	MALLEABLE IRON CONNECTOR	SIX	41
490S	Liquidtight Fittings	MALLEABLE IRON CONNECTOR	SIX	42
491S	Liquidtight Fittings	MALLEABLE IRON CONNECTOR	SIX	42
492S	Liquidtight Fittings	MALLEABLE IRON CONNECTOR	SIX	42
493S	Liquidtight Fittings	MALLEABLE IRON CONNECTOR	SIX	42
494S	Liquidtight Fittings	MALLEABLE IRON CONNECTOR	SIX	42
495S	Liquidtight Fittings	MALLEABLE IRON CONNECTOR	SIX	42
496S	Liquidtight Fittings	MALLEABLE IRON CONNECTOR	SIX	42
497S	Liquidtight Fittings	MALLEABLE IRON CONNECTOR	SIX	42
498S	Liquidtight Fittings	MALLEABLE IRON CONNECTOR	SIX	42
499S	Liquidtight Fittings	MALLEABLE IRON CONNECTOR	SIX	42
500CGRN	Elbows, Nipples & Couplings	CLOSE NIPPLE	TWO	13
500GRN1000	Elbows, Nipples & Couplings	RIGID NIPPLE	TWO	13
500GRN1200	Elbows, Nipples & Couplings	RIGID NIPPLE	TWO	13
500GRN500	Elbows, Nipples & Couplings	RIGID NIPPLE	TWO	13
500GRN600	Elbows, Nipples & Couplings	RIGID NIPPLE	TWO	13
500GRN800	Elbows, Nipples & Couplings	RIGID NIPPLE	TWO	13
500RC	Elbows, Nipples & Couplings	RIGID COUPLING	TWO	14
500RE15	Elbows, Nipples & Couplings	RIGID ELBOW	TWO	9
500RE225	Elbows, Nipples & Couplings	RIGID ELBOW	TWO	9
500RE30	Elbows, Nipples & Couplings	RIGID ELBOW	TWO	8

INDEX

PART#	SECTION NAME	PRODUCT DESCRIPTION	SECTION	PAGE
500RE45	Elbows, Nipples & Couplings	RIGID ELBOW	TWO	8
500RE90	Elbows, Nipples & Couplings	RIGID ELBOW	TWO	7
500RE90X36	Elbows, Nipples & Couplings	RIGID SPECIAL RADIUS ELBOW	TWO	11
500RE90X48	Elbows, Nipples & Couplings	RIGID SPECIAL RADIUS ELBOW	TWO	11
500S	Elbows, Nipples & Couplings	MALLEABLE IRON CONNECTOR	SIX	42
600CGRN	Elbows, Nipples & Couplings	CLOSE NIPPLE	TWO	13
600GRN1000	Elbows, Nipples & Couplings	RIGID NIPPLE	TWO	13
600GRN1200	Elbows, Nipples & Couplings	RIGID NIPPLE	TWO	13
600GRN500	Elbows, Nipples & Couplings	RIGID NIPPLE	TWO	13
600GRN600	Elbows, Nipples & Couplings	RIGID NIPPLE	TWO	13
600GRN800	Elbows, Nipples & Couplings	RIGID NIPPLE	TWO	13
600RC	Elbows, Nipples & Couplings	RIGID COUPLING	TWO	14
600RE15	Elbows, Nipples & Couplings	RIGID ELBOW	TWO	9
600RE225	Elbows, Nipples & Couplings	RIGID ELBOW	TWO	9
600RE30	Elbows, Nipples & Couplings	RIGID ELBOW	TWO	8
600RE45	Elbows, Nipples & Couplings	RIGID ELBOW	TWO	8
600RE90	Elbows, Nipples & Couplings	RIGID ELBOW	TWO	7
600RE90X36	Elbows, Nipples & Couplings	RIGID SPECIAL RADIUS ELBOW	TWO	11
600RE90X48	Elbows, Nipples & Couplings	RIGID SPECIAL RADIUS ELBOW	TWO	11
ACD49	Liquidtight Fittings	AC DISCONNECT	SIX	43
B4450-50	Steel Boxes & Covers	4" SQUARE DRAWN BOX	EIGHT	58
B4451-50	Steel Boxes & Covers	4" SQUARE DRAWN BOX	EIGHT	58
B4452-50	Steel Boxes & Covers	4" SQUARE DRAWN BOX	EIGHT	58
B4453-50	Steel Boxes & Covers	4" SQUARE DRAWN BOX	EIGHT	58
B4454-50	Steel Boxes & Covers	4" SQUARE DRAWN BOX	EIGHT	58
B7451-25	Steel Boxes & Covers	4 11/16" SQUARE WELDED BOX	EIGHT	57
B7452-25	Steel Boxes & Covers	4 11/16" SQUARE WELDED BOX	EIGHT	57
B8451-20	Steel Boxes & Covers	4 11/16" SQUARE WELDED BOX	EIGHT	57
B8452-50	Steel Boxes & Covers	4 11/16" SQUARE WELDED BOX	EIGHT	57
B8453-25	Steel Boxes & Covers	4 11/16" SQUARE WELDED BOX	EIGHT	57
B8454-25	Steel Boxes & Covers	4 11/16" SQUARE WELDED BOX	EIGHT	57
B8456-25	Steel Boxes & Covers	4 11/16" SQUARE WELDED BOX	EIGHT	57
B8544-25	Steel Boxes & Covers	4" SQUARE WELDED BOX	EIGHT	59
B8545-25	Steel Boxes & Covers	4" SQUARE WELDED BOX	EIGHT	59
B8546-25	Steel Boxes & Covers	4" SQUARE WELDED BOX	EIGHT	59
B8548-25	Steel Boxes & Covers	4" SQUARE WELDED BOX	EIGHT	59
B8549-25	Steel Boxes & Covers	4" SQUARE WELDED BOX	EIGHT	59
BC-100M	Hanging and Support	BEAM CLAMPS	SEVEN	47
BC-200M	Hanging and Support	BEAM CLAMPS	SEVEN	47
BC-300M	Hanging and Support	BEAM CLAMPS	SEVEN	47
BRD-4	Weatherproof	WEATHERPROOF ROUND BOX	ELEVEN	78
BX-38	BX, Flex and MC Fittings	BX CONNECTOR	NINE	70
C1152-100	Steel Boxes & Covers	RECEPTACLE COVER	EIGHT	53
C1153-100	Steel Boxes & Covers	RECEPTACLE COVER	EIGHT	53
C1156-100	Steel Boxes & Covers	RECEPTACLE COVER	EIGHT	53
C2237-50	Steel Boxes & Covers	INDUSTRIAL COVERS	EIGHT	63
C2238-50	Steel Boxes & Covers	INDUSTRIAL COVERS	EIGHT	63
C2239-50	Steel Boxes & Covers	INDUSTRIAL COVERS	EIGHT	63
C2240-50	Steel Boxes & Covers	INDUSTRIAL COVERS	EIGHT	63
C2242-50	Steel Boxes & Covers	INDUSTRIAL COVERS	EIGHT	63
C2243-50	Steel Boxes & Covers	INDUSTRIAL COVERS	EIGHT	63
C2244-50	Steel Boxes & Covers	INDUSTRIAL COVERS	EIGHT	63
C2245-50	Steel Boxes & Covers	INDUSTRIAL COVERS	EIGHT	63
C2246-50	Steel Boxes & Covers	INDUSTRIAL COVERS	EIGHT	63
C2247-50	Steel Boxes & Covers	INDUSTRIAL COVERS	EIGHT	63
C2249-50	Steel Boxes & Covers	INDUSTRIAL COVERS	EIGHT	63
C2250-50	Steel Boxes & Covers	INDUSTRIAL COVERS	EIGHT	63
C2251-50	Steel Boxes & Covers	INDUSTRIAL COVERS	EIGHT	63
C-250SC	Conduit Bodies	TYPE C RIGID CONDUIT BODY	FIVE	34
C-300SC	Conduit Bodies	TYPE C RIGID CONDUIT BODY	FIVE	34
C3451-50	Steel Boxes & Covers	INDUSTRIAL COVERS	EIGHT	63

INDEX

PART#	SECTION NAME	PRODUCT DESCRIPTION	SECTION	PAGE
C3452-50	Steel Boxes & Covers	INDUSTRIAL COVERS	EIGHT	63
C3454-50	Steel Boxes & Covers	INDUSTRIAL COVERS	EIGHT	63
C-350SC	Conduit Bodies	TYPE C RIGID CONDUIT BODY	FIVE	34
C-400SC	Conduit Bodies	TYPE C RIGID CONDUIT BODY	FIVE	34
C4450-50	Steel Boxes & Covers	4" SQUARE SINGLE GANG DEVICE COVERS	EIGHT	61
C4452-50	Steel Boxes & Covers	4" SQUARE SINGLE GANG DEVICE COVERS	EIGHT	61
C4453-50	Steel Boxes & Covers	4" SQUARE SINGLE GANG DEVICE COVERS	EIGHT	61
C4454-50	Steel Boxes & Covers	4" SQUARE SINGLE GANG DEVICE COVERS	EIGHT	61
C4455-50	Steel Boxes & Covers	4" SQUARE SINGLE GANG DEVICE COVERS	EIGHT	61
C4456-25	Steel Boxes & Covers	4" SQUARE SINGLE GANG DEVICE COVERS	EIGHT	61
C4457-25	Steel Boxes & Covers	4" SQUARE SINGLE GANG DEVICE COVERS	EIGHT	61
C4458-25	Steel Boxes & Covers	4" SQUARE SINGLE GANG DEVICE COVERS	EIGHT	61
C4459-25	Steel Boxes & Covers	4" SQUARE SINGLE GANG DEVICE COVERS	EIGHT	61
C6500-50	Steel Boxes & Covers	4" SQUARE TO ROUND DEVICE RING	EIGHT	62
C6501-50	Steel Boxes & Covers	4" SQUARE TO ROUND DEVICE RING	EIGHT	62
C7510-50	Steel Boxes & Covers	4 11/16" BOX COVERS	EIGHT	57
C7511-50	Steel Boxes & Covers	4 11/16" BOX COVERS	EIGHT	57
C7513-50	Steel Boxes & Covers	4 11/16" BOX COVERS	EIGHT	57
C7516-50	Steel Boxes & Covers	4" SQUARE BOX COVERS	EIGHT	60
C7517-50	Steel Boxes & Covers	4" SQUARE BOX COVERS	EIGHT	60
C8451-50	Steel Boxes & Covers	4" OCTAGON BOX COVER	EIGHT	55
C8452-50	Steel Boxes & Covers	4" OCTAGON BOX COVER	EIGHT	55
CB-100P	Rigid Fittings	RIGID INSULATING PLASTIC BUSHING	FOUR	26
CB-125P	Rigid Fittings	RIGID INSULATING PLASTIC BUSHING	FOUR	26
CB-150P	Rigid Fittings	RIGID INSULATING PLASTIC BUSHING	FOUR	26
CB-200P	Rigid Fittings	RIGID INSULATING PLASTIC BUSHING	FOUR	26
CB-250P	Rigid Fittings	RIGID INSULATING PLASTIC BUSHING	FOUR	26
CB-300P	Rigid Fittings	RIGID INSULATING PLASTIC BUSHING	FOUR	26
CB-350P	Rigid Fittings	RIGID INSULATING PLASTIC BUSHING	FOUR	26
CB-400P	Rigid Fittings	RIGID INSULATING PLASTIC BUSHING	FOUR	26
CB-50P	Rigid Fittings	RIGID INSULATING PLASTIC BUSHING	FOUR	26
CB-75P	Rigid Fittings	RIGID INSULATING PLASTIC BUSHING	FOUR	26
CC-100RTS1	EMT Fittings	RAINTIGHT COMPRESSION CONNECTOR	THREE	17
CC-100S1	EMT Fittings	EMT COMPRESSION CONNECTOR	THREE	16
CC-100SC	Conduit Bodies	C TYPE COMBO CONDUIT BODY	FIVE	53
CC-125RTS1	EMT Fittings	RAINTIGHT COMPRESSION CONNECTOR	THREE	17
CC-125S1	EMT Fittings	EMT COMPRESSION CONNECTOR	THREE	16
CC-125SC	Conduit Bodies	C TYPE COMBO CONDUIT BODY	FIVE	53
CC-150RTS1	EMT Fittings	RAINTIGHT COMPRESSION CONNECTOR	THREE	17
CC-150S1	EMT Fittings	EMT COMPRESSION CONNECTOR	THREE	16
CC-150SC	Conduit Bodies	C TYPE COMBO CONDUIT BODY	FIVE	53
CC-200RTS1	EMT Fittings	RAINTIGHT COMPRESSION CONNECTOR	THREE	17
CC-200S1	EMT Fittings	EMT COMPRESSION CONNECTOR	THREE	16
CC-200SC	Conduit Bodies	C TYPE COMBO CONDUIT BODY	FIVE	53
CC-250RTS1	EMT Fittings	RAINTIGHT COMPRESSION CONNECTOR	THREE	17
CC-250S1	EMT Fittings	EMT COMPRESSION CONNECTOR	THREE	16
CC-300RTS1	EMT Fittings	RAINTIGHT COMPRESSION CONNECTOR	THREE	17
CC-300S1	EMT Fittings	EMT COMPRESSION CONNECTOR	THREE	16
CC-350RTS1	EMT Fittings	RAINTIGHT COMPRESSION CONNECTOR	THREE	17
CC-350S1	EMT Fittings	EMT COMPRESSION CONNECTOR	THREE	16
CC-400RTS1	EMT Fittings	RAINTIGHT COMPRESSION CONNECTOR	THREE	17
CC-400S1	EMT Fittings	EMT COMPRESSION CONNECTOR	THREE	16
CC-50RTS1	EMT Fittings	RAINTIGHT COMPRESSION CONNECTOR	THREE	17
CC-50S1	EMT Fittings	EMT COMPRESSION CONNECTOR	THREE	16
CC-50SC	Conduit Bodies	C TYPE COMBO CONDUIT BODY	FIVE	53
CC-75RTS1	EMT Fittings	RAINTIGHT COMPRESSION CONNECTOR	THREE	17
CC-75S1	EMT Fittings	EMT COMPRESSION CONNECTOR	THREE	16
CC-75SC	Conduit Bodies	C TYPE COMBO CONDUIT BODY	FIVE	53
CCI-100RTS1	EMT Fittings	EMT INS RT COMPRESSION CONNECTOR	THREE	17
CCI-100S1	EMT Fittings	EMT INSULATED COMPRESSION CONN	THREE	16
CCI-125RTS1	EMT Fittings	EMT INS RT COMPRESSION CONNECTOR	THREE	17

INDEX

PART#	SECTION NAME	PRODUCT DESCRIPTION	SECTION	PAGE
CCI-125S1	EMT Fittings	EMT INSULATED COMPRESSION CONN	THREE	16
CCI-150RTS1	EMT Fittings	EMT INS RT COMPRESSION CONNECTOR	THREE	17
CCI-150S1	EMT Fittings	EMT INSULATED COMPRESSION CONN	THREE	16
CCI-200RTS1	EMT Fittings	EMT INS RT COMPRESSION CONNECTOR	THREE	17
CCI-200S1	EMT Fittings	EMT INSULATED COMPRESSION CONN	THREE	16
CCI-250RTS1	EMT Fittings	EMT INS RT COMPRESSION CONNECTOR	THREE	17
CCI-250S1	EMT Fittings	EMT INSULATED COMPRESSION CONN	THREE	16
CCI-300RTS1	EMT Fittings	EMT INS RT COMPRESSION CONNECTOR	THREE	17
CCI-300S1	EMT Fittings	EMT INSULATED COMPRESSION CONN	THREE	16
CCI-350RTS1	EMT Fittings	EMT INS RT COMPRESSION CONNECTOR	THREE	17
CCI-350S1	EMT Fittings	EMT INSULATED COMPRESSION CONN	THREE	16
CCI-400RTS1	EMT Fittings	EMT INS RT COMPRESSION CONNECTOR	THREE	17
CCI-400S1	EMT Fittings	EMT INSULATED COMPRESSION CONN	THREE	16
CCI-50RTS1	EMT Fittings	EMT INS RT COMPRESSION CONNECTOR	THREE	17
CCI-50S1	EMT Fittings	EMT INSULATED COMPRESSION CONN	THREE	16
CCI-75RTS1	EMT Fittings	EMT INS RT COMPRESSION CONNECTOR	THREE	17
CCI-75S1	EMT Fittings	EMT INSULATED COMPRESSION CONN	THREE	16
CEC-100	Service Entrance	SERVICE ENTRANCE CAP	TWELVE	80
CEC-125	Service Entrance	SERVICE ENTRANCE CAP	TWELVE	80
CEC-150	Service Entrance	SERVICE ENTRANCE CAP	TWELVE	80
CEC-200	Service Entrance	SERVICE ENTRANCE CAP	TWELVE	80
CEC-250	Service Entrance	SERVICE ENTRANCE CAP	TWELVE	80
CEC-300N	Service Entrance	SERVICE ENTRANCE CAP	TWELVE	80
CEC-350	Service Entrance	SERVICE ENTRANCE CAP	TWELVE	80
CEC-400	Service Entrance	SERVICE ENTRANCE CAP	TWELVE	80
CEC-50	Service Entrance	SERVICE ENTRANCE CAP	TWELVE	80
CEC-75	Service Entrance	SERVICE ENTRANCE CAP	TWELVE	80
CK-100RTS1	EMT Fittings	EMT RT COMPRESSION COUPLING	THREE	15
CK-100S1	EMT Fittings	EMT COMPRESSION COUPLING	THREE	15
CK-125RTS1	EMT Fittings	EMT RT COMPRESSION COUPLING	THREE	15
CK-125S1	EMT Fittings	EMT COMPRESSION COUPLING	THREE	15
CK-150RTS1	EMT Fittings	EMT RT COMPRESSION COUPLING	THREE	15
CK-150S1	EMT Fittings	EMT COMPRESSION COUPLING	THREE	15
CK-200RTS1	EMT Fittings	EMT RT COMPRESSION COUPLING	THREE	15
CK-200S1	EMT Fittings	EMT COMPRESSION COUPLING	THREE	15
CK-250RTS1	EMT Fittings	EMT RT COMPRESSION COUPLING	THREE	15
CK-250S1	EMT Fittings	EMT COMPRESSION COUPLING	THREE	15
CK-300RTS1	EMT Fittings	EMT RT COMPRESSION COUPLING	THREE	15
CK-300S1	EMT Fittings	EMT COMPRESSION COUPLING	THREE	15
CK-350RTS1	EMT Fittings	EMT RT COMPRESSION COUPLING	THREE	15
CK-350S1	EMT Fittings	EMT COMPRESSION COUPLING	THREE	15
CK-400RTS1	EMT Fittings	EMT RT COMPRESSION COUPLING	THREE	15
CK-400S1	EMT Fittings	EMT COMPRESSION COUPLING	THREE	15
CK-50RTS1	EMT Fittings	EMT RT COMPRESSION COUPLING	THREE	15
CK-50S1	EMT Fittings	EMT COMPRESSION COUPLING	THREE	15
CK-75RTS1	EMT Fittings	EMT RT COMPRESSION COUPLING	THREE	15
CK-75S1	EMT Fittings	EMT COMPRESSION COUPLING	THREE	15
CN-100	Rigid Fittings	CHASE NIPPLE	FOUR	23
CN-125	Rigid Fittings	CHASE NIPPLE	FOUR	23
CN-150	Rigid Fittings	CHASE NIPPLE	FOUR	23
CN-200	Rigid Fittings	CHASE NIPPLE	FOUR	23
CN-250	Rigid Fittings	CHASE NIPPLE	FOUR	23
CN-300	Rigid Fittings	CHASE NIPPLE	FOUR	23
CN-350	Rigid Fittings	CHASE NIPPLE	FOUR	23
CN-400	Rigid Fittings	CHASE NIPPLE	FOUR	23
CN-50	Rigid Fittings	CHASE NIPPLE	FOUR	23
CN-75	Rigid Fittings	CHASE NIPPLE	FOUR	23
D4451-25	Steel Boxes & Covers	4" SQUARE DRAWN DEEP BOX	EIGHT	58
D4452-25	Steel Boxes & Covers	4" SQUARE DRAWN DEEP BOX	EIGHT	58
D4454-25	Steel Boxes & Covers	4" SQUARE DRAWN DEEP BOX	EIGHT	58
D4455-25	Steel Boxes & Covers	4" SQUARE DRAWN DEEP BOX	EIGHT	58

INDEX

PART#	SECTION NAME	PRODUCT DESCRIPTION	SECTION	PAGE
D4456-25	Steel Boxes & Covers	4" SQUARE DRAWN DEEP BOX	EIGHT	58
D6500-25	Steel Boxes & Covers	4" SQUARE DRAWN DEEP BOX	EIGHT	58
D6541-25	Steel Boxes & Covers	4" SQUARE DRAWN DEEP BOX	EIGHT	58
DCA-38	BX, Flex and MC Fittings	SINGLE SCREW DUPLEX BX CONN	NINE	71
DMC-38S	BX, Flex and MC Fittings	SINGLE SCREW DUPLEX BX CONN	NINE	72
E4511-50	Steel Boxes & Covers	4" SQUARE BOX EXTENSION	EIGHT	61
E4512-50	Steel Boxes & Covers	4" SQUARE BOX EXTENSION	EIGHT	61
EMT100	Conduit	EMT CONDUIT	ONE	1
EMT125	Conduit	EMT CONDUIT	ONE	1
EMT150	Conduit	EMT CONDUIT	ONE	1
EMT200	Conduit	EMT CONDUIT	ONE	1
EMT250	Conduit	EMT CONDUIT	ONE	1
EMT300	Conduit	EMT CONDUIT	ONE	1
EMT350	Conduit	EMT CONDUIT	ONE	1
EMT400	Conduit	EMT CONDUIT	ONE	1
EMT50	Conduit	EMT CONDUIT	ONE	1
EMT75	Conduit	EMT CONDUIT	ONE	1
FSB50-3	Weatherproof	WEATHERPROOF SINGLE GANG	ELEVEN	78
FSB75-3	Weatherproof	WEATHERPROOF SINGLE GANG	ELEVEN	78
G2450-50	Steel Boxes & Covers	4" DRAWN OCTAGON BOX	EIGHT	54
G2451-50	Steel Boxes & Covers	4" DRAWN OCTAGON BOX	EIGHT	54
G2453-50	Steel Boxes & Covers	4" DRAWN OCTAGON BOX	EIGHT	54
G3450-25	Steel Boxes & Covers	4" DRAWN OCTAGON BOX	EIGHT	54
G3451-25	Steel Boxes & Covers	4" DRAWN OCTAGON BOX	EIGHT	54
G3452-25	Steel Boxes & Covers	4" DRAWN OCTAGON BOX	EIGHT	54
G3454-25	Steel Boxes & Covers	4" DRAWN OCTAGON BOX	EIGHT	54
G3455-25	Steel Boxes & Covers	4" DRAWN OCTAGON BOX	EIGHT	54
G4451-50	Steel Boxes & Covers	4" DRAWN OCTAGON BOX	EIGHT	54
G4452-50	Steel Boxes & Covers	4" DRAWN OCTAGON BOX	EIGHT	54
G4453-50	Steel Boxes & Covers	4" DRAWN OCTAGON BOX	EIGHT	54
G4454-50	Steel Boxes & Covers	4" DRAWN OCTAGON BOX	EIGHT	54
G4455-50	Steel Boxes & Covers	4" DRAWN OCTAGON BOX	EIGHT	54
G4456-25	Steel Boxes & Covers	4" DRAWN DEEP OCTAGON BOX	EIGHT	55
G4457-25	Steel Boxes & Covers	4" DRAWN DEEP OCTAGON BOX	EIGHT	55
G4458-25	Steel Boxes & Covers	4" DRAWN DEEP OCTAGON BOX	EIGHT	55
GB-100	Rigid Fittings	GROUNDING BUSHINGS	FOUR	25
GB-125-14	Rigid Fittings	GROUNDING BUSHINGS	FOUR	25
GB-150-14	Rigid Fittings	GROUNDING BUSHINGS	FOUR	25
GB-200-14	Rigid Fittings	GROUNDING BUSHINGS	FOUR	25
GB-250	Rigid Fittings	GROUNDING BUSHINGS	FOUR	25
GB-300	Rigid Fittings	GROUNDING BUSHINGS	FOUR	25
GB-400	Rigid Fittings	GROUNDING BUSHINGS	FOUR	25
GB-50	Rigid Fittings	GROUNDING BUSHINGS	FOUR	25
GB-75	Rigid Fittings	GROUNDING BUSHINGS	FOUR	25
GBADR3	Steel Boxes & Covers	MASONRY - ADJUSTABLE DEVICE RING	EIGHT	66
GBADR4	Steel Boxes & Covers	MASONRY - ADJUSTABLE DEVICE RING	EIGHT	66
GBADR5	Steel Boxes & Covers	MASONRY - ADJUSTABLE DEVICE RING	EIGHT	66
GBDC12	Steel Boxes & Covers	MASONRY - DEVICE RINGS	EIGHT	66
GBDC13	Steel Boxes & Covers	MASONRY - DEVICE RINGS	EIGHT	66
GBDC14	Steel Boxes & Covers	MASONRY - DEVICE RINGS	EIGHT	66
GBDC15	Steel Boxes & Covers	MASONRY - DEVICE RINGS	EIGHT	66
GBDC16	Steel Boxes & Covers	MASONRY - DEVICE RINGS	EIGHT	66
GBDC23	Steel Boxes & Covers	MASONRY - DEVICE RINGS	EIGHT	66
GBDC24	Steel Boxes & Covers	MASONRY - DEVICE RINGS	EIGHT	66
GC-50/100	Hanging and Support	GROUNDING CLAMP	SEVEN	47
GRC100	Conduit	RIGID CONDUIT	ONE	3
GRC125	Conduit	RIGID CONDUIT	ONE	3
GRC150	Conduit	RIGID CONDUIT	ONE	3
GRC200	Conduit	RIGID CONDUIT	ONE	3
GRC250	Conduit	RIGID CONDUIT	ONE	3
GRC300	Conduit	RIGID CONDUIT	ONE	3

INDEX

PART#	SECTION NAME	PRODUCT DESCRIPTION	SECTION	PAGE
GRC350	Conduit	RIGID CONDUIT	ONE	3
GRC400	Conduit	RIGID CONDUIT	ONE	3
GRC50	Conduit	RIGID CONDUIT	ONE	3
GRC500	Conduit	RIGID CONDUIT	ONE	3
GRC600	Conduit	RIGID CONDUIT	ONE	3
GRC75	Conduit	RIGID CONDUIT	ONE	3
H4450-50	Steel Boxes & Covers	4X2" DRAWN HANDY BOX	EIGHT	52
H4451-50	Steel Boxes & Covers	4X2" DRAWN HANDY BOX	EIGHT	52
H4452-50	Steel Boxes & Covers	4X2" DRAWN HANDY BOX	EIGHT	52
H4453-50	Steel Boxes & Covers	4X2" DRAWN HANDY BOX	EIGHT	52
H4454-50	Steel Boxes & Covers	4X2" DRAWN HANDY BOX	EIGHT	52
H4456-50	Steel Boxes & Covers	4X2" DRAWN HANDY BOX	EIGHT	52
H4457-50	Steel Boxes & Covers	4X2" DRAWN HANDY BOX EXTENSION	EIGHT	53
H4467-50	Steel Boxes & Covers	4X2" DRAWN HANDY BOX	EIGHT	53
H4468-50	Steel Boxes & Covers	4X2" DRAWN HANDY BOX	EIGHT	53
H4470-50	Steel Boxes & Covers	4X2" DRAWN HANDY BOX	EIGHT	52
H4471-50	Steel Boxes & Covers	4X2" DRAWN HANDY BOX	EIGHT	52
HF11	Liquidtight Fittings	TOP-FLEX 1 NON-METALLIC TUBING	SIX	43
HF1112	Liquidtight Fittings	TOP-FLEX 1 NON-METALLIC TUBING	SIX	43
HF1114	Liquidtight Fittings	TOP-FLEX 1 NON-METALLIC TUBING	SIX	43
HF112	Liquidtight Fittings	TOP-FLEX 1 NON-METALLIC TUBING	SIX	43
HF112R	Liquidtight Fittings	TOP-FLEX 1 NON-METALLIC TUBING	SIX	43
HF11R	Liquidtight Fittings	TOP-FLEX 1 NON-METALLIC TUBING	SIX	43
HF12	Liquidtight Fittings	TOP-FLEX 1 NON-METALLIC TUBING	SIX	43
HF134	Liquidtight Fittings	TOP-FLEX 1 NON-METALLIC TUBING	SIX	43
HF134R	Liquidtight Fittings	TOP-FLEX 1 NON-METALLIC TUBING	SIX	43
HF138	Liquidtight Fittings	TOP-FLEX 1 NON-METALLIC TUBING	SIX	43
IMC100	Conduit	IMC CONDUIT	ONE	2
IMC125	Conduit	IMC CONDUIT	ONE	2
IMC150	Conduit	IMC CONDUIT	ONE	2
IMC200	Conduit	IMC CONDUIT	ONE	2
IMC250	Conduit	IMC CONDUIT	ONE	2
IMC300	Conduit	IMC CONDUIT	ONE	2
IMC350	Conduit	IMC CONDUIT	ONE	2
IMC400	Conduit	IMC CONDUIT	ONE	2
IMC50	Conduit	IMC CONDUIT	ONE	2
IMC75	Conduit	IMC CONDUIT	ONE	2
KS-100S	Hanging and Support	KNOCKOUT SEALS	SEVEN	48
KS-125S	Hanging and Support	KNOCKOUT SEALS	SEVEN	48
KS-150S	Hanging and Support	KNOCKOUT SEALS	SEVEN	48
KS-200S	Hanging and Support	KNOCKOUT SEALS	SEVEN	48
KS-50S	Hanging and Support	KNOCKOUT SEALS	SEVEN	48
KS-75S	Hanging and Support	KNOCKOUT SEALS	SEVEN	48
LB-100SC	Conduit Bodies	LB TYPE CONDUIT BODIES	FIVE	33
LB-125SC	Conduit Bodies	LB TYPE CONDUIT BODIES	FIVE	33
LB-150SC	Conduit Bodies	LB TYPE CONDUIT BODIES	FIVE	33
LB-200SC	Conduit Bodies	LB TYPE CONDUIT BODIES	FIVE	33
LB-250	Conduit Bodies	LB TYPE CONDUIT BODIES	FIVE	33
LB-250SC	Conduit Bodies	LB TYPE CONDUIT BODIES	FIVE	33
LB-300SC	Conduit Bodies	LB TYPE CONDUIT BODIES	FIVE	33
LB-350SC	Conduit Bodies	LB TYPE CONDUIT BODIES	FIVE	33
LB-400SC	Conduit Bodies	LB TYPE CONDUIT BODIES	FIVE	33
LB-50SC	Conduit Bodies	LB TYPE CONDUIT BODIES	FIVE	33
LB-75SC	Conduit Bodies	LB TYPE CONDUIT BODIES	FIVE	33
LBC-100SC	Conduit Bodies	LB TYPE COMBO CONDUIT BODIES	FIVE	34
LBC-125SC	Conduit Bodies	LB TYPE COMBO CONDUIT BODIES	FIVE	34
LBC-150SC	Conduit Bodies	LB TYPE COMBO CONDUIT BODIES	FIVE	34
LBC-200SC	Conduit Bodies	LB TYPE COMBO CONDUIT BODIES	FIVE	34
LBC-50SC	Conduit Bodies	LB TYPE COMBO CONDUIT BODIES	FIVE	34
LBC-75SC	Conduit Bodies	LB TYPE COMBO CONDUIT BODIES	FIVE	34
LBE-50SC	Conduit Bodies	LB TYPE EMT CONDUIT BODIES	FIVE	33

INDEX

PART#	SECTION NAME	PRODUCT DESCRIPTION	SECTION	PAGE
LBE-75SC	Conduit Bodies	LB TYPE EMT CONDUIT BODIES	FIVE	33
LBE-100SC	Conduit Bodies	LB TYPE EMT CONDUIT BODIES	FIVE	33
LBE-125SC	Conduit Bodies	LB TYPE EMT CONDUIT BODIES	FIVE	33
LBE-150SC	Conduit Bodies	LB TYPE EMT CONDUIT BODIES	FIVE	33
LBE-200SC	Conduit Bodies	LB TYPE EMT CONDUIT BODIES	FIVE	33
LBE-250SC	Conduit Bodies	LB TYPE EMT CONDUIT BODIES	FIVE	33
LBE-300SC	Conduit Bodies	LB TYPE EMT CONDUIT BODIES	FIVE	33
LBE-350SC	Conduit Bodies	LB TYPE EMT CONDUIT BODIES	FIVE	33
LBE-400SC	Conduit Bodies	LB TYPE EMT CONDUIT BODIES	FIVE	33
LL-100SC	Conduit Bodies	LL TYPE RIGID CONDUIT BODIES	FIVE	35
LL-125SC	Conduit Bodies	LL TYPE RIGID CONDUIT BODIES	FIVE	35
LL-150SC	Conduit Bodies	LL TYPE RIGID CONDUIT BODIES	FIVE	35
LL-200SC	Conduit Bodies	LL TYPE RIGID CONDUIT BODIES	FIVE	35
LL-250SC	Conduit Bodies	LL TYPE RIGID CONDUIT BODIES	FIVE	35
LL-300SC	Conduit Bodies	LL TYPE RIGID CONDUIT BODIES	FIVE	35
LL-350SC	Conduit Bodies	LL TYPE RIGID CONDUIT BODIES	FIVE	35
LL-400SC	Conduit Bodies	LL TYPE RIGID CONDUIT BODIES	FIVE	35
LL-50SC	Conduit Bodies	LL TYPE RIGID CONDUIT BODIES	FIVE	35
LL-75SC	Conduit Bodies	LL TYPE RIGID CONDUIT BODIES	FIVE	35
LLC-100SC	Conduit Bodies	LL TYPE COMBO CONDUIT BODIES	FIVE	36
LLC-125SC	Conduit Bodies	LL TYPE COMBO CONDUIT BODIES	FIVE	36
LLC-150SC	Conduit Bodies	LL TYPE COMBO CONDUIT BODIES	FIVE	36
LLC-200SC	Conduit Bodies	LL TYPE COMBO CONDUIT BODIES	FIVE	36
LLC-50SC	Conduit Bodies	LL TYPE COMBO CONDUIT BODIES	FIVE	36
LLC-75SC	Conduit Bodies	LL TYPE COMBO CONDUIT BODIES	FIVE	36
LLRC-100SC	Conduit Bodies	LLRC TYPE COMBO CONDUIT BODIES	FIVE	37
LLRC-125SC	Conduit Bodies	LLRC TYPE COMBO CONDUIT BODIES	FIVE	37
LLRC-150SC	Conduit Bodies	LLRC TYPE COMBO CONDUIT BODIES	FIVE	37
LLRC-200SC	Conduit Bodies	LLRC TYPE COMBO CONDUIT BODIES	FIVE	37
LLRC-50SC	W	LLRC TYPE COMBO CONDUIT BODIES	FIVE	37
LLRC-75SC	Conduit Bodies	LLRC TYPE COMBO CONDUIT BODIES	FIVE	37
LN-100S	Rigid Fittings	RIGID LOCKNUTS	FOUR	31
LN-125S	Rigid Fittings	RIGID LOCKNUTS	FOUR	31
LN-150S	Rigid Fittings	RIGID LOCKNUTS	FOUR	31
LN-200S	Rigid Fittings	RIGID LOCKNUTS	FOUR	31
LN-250S	Rigid Fittings	RIGID LOCKNUTS	FOUR	31
LN-300S	Rigid Fittings	RIGID LOCKNUTS	FOUR	31
LN-350S	Rigid Fittings	RIGID LOCKNUTS	FOUR	31
LN-400S	Rigid Fittings	RIGID LOCKNUTS	FOUR	31
LN-50S	Rigid Fittings	RIGID LOCKNUTS	FOUR	31
LN-75S	Rigid Fittings	RIGID LOCKNUTS	FOUR	31
LR-100SC	Conduit Bodies	LR TYPE RIGID CONDUIT BODIES	FIVE	36
LR-125SC	Conduit Bodies	LR TYPE RIGID CONDUIT BODIES	FIVE	36
LR-150SC	Conduit Bodies	LR TYPE RIGID CONDUIT BODIES	FIVE	36
LR-200SC	Conduit Bodies	LR TYPE RIGID CONDUIT BODIES	FIVE	36
LR-250SC	Conduit Bodies	LR TYPE RIGID CONDUIT BODIES	FIVE	36
LR-300SC	Conduit Bodies	LR TYPE RIGID CONDUIT BODIES	FIVE	36
LR-350SC	Conduit Bodies	LR TYPE RIGID CONDUIT BODIES	FIVE	36
LR-400SC	Conduit Bodies	LR TYPE RIGID CONDUIT BODIES	FIVE	36
LR-50SC	Conduit Bodies	LR TYPE RIGID CONDUIT BODIES	FIVE	36
LR-75SC	Conduit Bodies	LR TYPE RIGID CONDUIT BODIES	FIVE	36
LRC-100SC	Conduit Bodies	LR TYPE COMBO CONDUIT BODIES	FIVE	37
LRC-125SC	Conduit Bodies	LR TYPE COMBO CONDUIT BODIES	FIVE	37
LRC-150SC	Conduit Bodies	LR TYPE COMBO CONDUIT BODIES	FIVE	37
LRC-200SC	Conduit Bodies	LR TYPE COMBO CONDUIT BODIES	FIVE	37
LRC-50SC	Conduit Bodies	LR TYPE COMBO CONDUIT BODIES	FIVE	37
LRC-75SC	Conduit Bodies	LR TYPE COMBO CONDUIT BODIES	FIVE	37
LT-100	Liquidtight Fittings	METALLIC STR LIQUIDTIGHT FITTING	SIX	40
LT-125	Liquidtight Fittings	METALLIC STR LIQUIDTIGHT FITTING	SIX	40
LT-150	Liquidtight Fittings	METALLIC STR LIQUIDTIGHT FITTING	SIX	40

INDEX

PART#	SECTION NAME	PRODUCT DESCRIPTION	SECTION	PAGE
LT-200	Liquidtight Fittings	METALLIC STR LIQUIDTIGHT FITTING	SIX	40
LT-250	Liquidtight Fittings	METALLIC STR LIQUIDTIGHT FITTING	SIX	40
LT-300	Liquidtight Fittings	METALLIC STR LIQUIDTIGHT FITTING	SIX	40
LT-350	Liquidtight Fittings	METALLIC STR LIQUIDTIGHT FITTING	SIX	40
LT-38	Liquidtight Fittings	METALLIC STR LIQUIDTIGHT FITTING	SIX	40
LT-400	Liquidtight Fittings	METALLIC STR LIQUIDTIGHT FITTING	SIX	40
LT-50	Liquidtight Fittings	METALLIC STR LIQUIDTIGHT FITTING	SIX	40
LT-75	Liquidtight Fittings	METALLIC STR LIQUIDTIGHT FITTING	SIX	40
LT90-100	Liquidtight Fittings	METALLIC 90° LIQUIDTIGHT FITTING	SIX	40
LT90-125	Liquidtight Fittings	METALLIC 90° LIQUIDTIGHT FITTING	SIX	40
LT90-150	Liquidtight Fittings	METALLIC 90° LIQUIDTIGHT FITTING	SIX	40
LT90-200	Liquidtight Fittings	METALLIC 90° LIQUIDTIGHT FITTING	SIX	40
LT90-250	Liquidtight Fittings	METALLIC 90° LIQUIDTIGHT FITTING	SIX	40
LT90-300	Liquidtight Fittings	METALLIC 90° LIQUIDTIGHT FITTING	SIX	40
LT90-350	Liquidtight Fittings	METALLIC 90° LIQUIDTIGHT FITTING	SIX	40
LT90-38	Liquidtight Fittings	METALLIC 90° LIQUIDTIGHT FITTING	SIX	40
LT90-400	Liquidtight Fittings	METALLIC 90° LIQUIDTIGHT FITTING	SIX	40
LT90-50	Liquidtight Fittings	METALLIC 90° LIQUIDTIGHT FITTING	SIX	40
LT90-75	Liquidtight Fittings	METALLIC 90° LIQUIDTIGHT FITTING	SIX	40
LTM-100100	Liquidtight Fittings	METALLIC LIQUIDTIGHT	SIX	44
LTM-100200	Liquidtight Fittings	METALLIC LIQUIDTIGHT	SIX	44
LTM-125200	Liquidtight Fittings	METALLIC LIQUIDTIGHT	SIX	44
LTM-12550	Liquidtight Fittings	METALLIC LIQUIDTIGHT	SIX	44
LTM-150100	Liquidtight Fittings	METALLIC LIQUIDTIGHT	SIX	44
LTM-150150	Liquidtight Fittings	METALLIC LIQUIDTIGHT	SIX	44
LTM-15050	Liquidtight Fittings	METALLIC LIQUIDTIGHT	SIX	44
LTM-200100	Liquidtight Fittings	METALLIC LIQUIDTIGHT	SIX	44
LTM-20025	Liquidtight Fittings	METALLIC LIQUIDTIGHT	SIX	44
LTM-20050	Liquidtight Fittings	METALLIC LIQUIDTIGHT	SIX	44
LTM-25025	Liquidtight Fittings	METALLIC LIQUIDTIGHT	SIX	44
LTM-30025	Liquidtight Fittings	METALLIC LIQUIDTIGHT	SIX	44
LTM-35025	Liquidtight Fittings	METALLIC LIQUIDTIGHT	SIX	44
LTM-38100	Liquidtight Fittings	METALLIC LIQUIDTIGHT	SIX	44
LTM-40025	Liquidtight Fittings	METALLIC LIQUIDTIGHT	SIX	44
LTM-50100	Liquidtight Fittings	METALLIC LIQUIDTIGHT	SIX	44
LTM-501000	Liquidtight Fittings	METALLIC LIQUIDTIGHT	SIX	44
LTM-75100	Liquidtight Fittings	METALLIC LIQUIDTIGHT	SIX	44
LTM-75500	Liquidtight Fittings	METALLIC LIQUIDTIGHT	SIX	44
MAB71	Steel Boxes & Covers	MASONRY BOXES	EIGHT	64
MAB72	Steel Boxes & Covers	MASONRY BOXES	EIGHT	64
MAB73	Steel Boxes & Covers	MASONRY BOXES	EIGHT	64
MAB74	Steel Boxes & Covers	MASONRY BOXES	EIGHT	64
MAB91	Steel Boxes & Covers	MASONRY BOXES	EIGHT	64
MAB92	Steel Boxes & Covers	MASONRY BOXES	EIGHT	64
MAB93	Steel Boxes & Covers	MASONRY BOXES	EIGHT	64
MAB94	Steel Boxes & Covers	MASONRY BOXES	EIGHT	64
MAG91	Steel Boxes & Covers	MASONRY BOXES - GANGABLE	EIGHT	65
MC-38S	BX, Flex and MC Fittings	TWO SCREW MULTI-PURPOSE CONNECTOR	NINE	69
MC-75S	BX, Flex and MC Fittings	STEEL CONNECTOR	NINE	70
MC-DX-38	BX, Flex and MC Fittings	DUPLEX CONNECTOR	NINE	71
MC-DX-38	BX, Flex and MC Fittings	DUPLEX CONNECTOR	TEN	76
MC-SAD-38S	BX, Flex and MC Fittings	SADDLE CONNECTOR	NINE	69
MNC-38	NM Cable Fittings	TWO-SCREW STRAP CONNECTOR	TEN	75
MSB13	Steel Boxes & Covers	MULTI-GANG SWITCH BOX	EIGHT	51
MSB14	Steel Boxes & Covers	MULTI-GANG SWITCH BOX	EIGHT	51
MSB15	Steel Boxes & Covers	MULTI-GANG SWITCH BOX	EIGHT	51
MSB33	Steel Boxes & Covers	MULTI-GANG SWITCH BOX	EIGHT	51
MSB34	Steel Boxes & Covers	MULTI-GANG SWITCH BOX	EIGHT	51
MSB35	Steel Boxes & Covers	MULTI-GANG SWITCH BOX	EIGHT	51
MSB36	Steel Boxes & Covers	MULTI-GANG SWITCH BOX	EIGHT	51
NC-100	NM Cable Fittings	TWO-SCREW STRAP TYPE CONNECTOR	TEN	75

INDEX

PART#	SECTION NAME	PRODUCT DESCRIPTION	SECTION	PAGE
NC-38	NM Cable Fittings	TWO-SCREW STRAP TYPE CONNECTOR	TEN	75
NC-75	NM Cable Fittings	TWO-SCREW STRAP TYPE CONNECTOR	TEN	75
NMLT-1038	Liquidtight Fittings	NON-METALLIC LIQUIDTIGHT CONN	SIX	39
NMLT-1050	Liquidtight Fittings	NON-METALLIC LIQUIDTIGHT CONN	SIX	39
NMLT-1075	Liquidtight Fittings	NON-METALLIC LIQUIDTIGHT CONN	SIX	39
NMLT-1100	Liquidtight Fittings	NON-METALLIC LIQUIDTIGHT CONN	SIX	39
NMLT-1125	Liquidtight Fittings	NON-METALLIC LIQUIDTIGHT CONN	SIX	39
NMLT-1150	Liquidtight Fittings	NON-METALLIC LIQUIDTIGHT CONN	SIX	39
NMLT-1200	Liquidtight Fittings	NON-METALLIC LIQUIDTIGHT CONN	SIX	39
NMLT-9038	Liquidtight Fittings	NON-METALLIC LIQUIDTIGHT CONN	SIX	39
NMLT-9050	Liquidtight Fittings	NON-METALLIC LIQUIDTIGHT CONN	SIX	39
NMLT-9075	Liquidtight Fittings	NON-METALLIC LIQUIDTIGHT CONN	SIX	39
NMLT-9100	Liquidtight Fittings	NON-METALLIC LIQUIDTIGHT CONN	SIX	39
NMLT-9125	Liquidtight Fittings	NON-METALLIC LIQUIDTIGHT CONN	SIX	39
NMLT-9150	Liquidtight Fittings	NON-METALLIC LIQUIDTIGHT CONN	SIX	39
NMLT-9200	Liquidtight Fittings	NON-METALLIC LIQUIDTIGHT CONN	SIX	39
OES-100S	EMT Fittings	ONE-HOLE EMT STRAP	THREE	20
OES-125S	EMT Fittings	ONE-HOLE EMT STRAP	THREE	20
OES-150S	EMT Fittings	ONE-HOLE EMT STRAP	THREE	20
OES-200S	EMT Fittings	ONE-HOLE EMT STRAP	THREE	20
OES-50S	EMT Fittings	ONE-HOLE EMT STRAP	THREE	20
OES-75S	EMT Fittings	ONE-HOLE EMT STRAP	THREE	20
OHS-1S	BX, Flex and MC Fittings	BX ONE-HOLE STRAP	NINE/TEN	72/76
ON-100	Rigid Fittings	RIGID OFF-SET NIPPLE	FOUR	30
ON-125	Rigid Fittings	RIGID OFF-SET NIPPLE	FOUR	30
ON-150	Rigid Fittings	RIGID OFF-SET NIPPLE	FOUR	30
ON-200	Rigid Fittings	RIGID OFF-SET NIPPLE	FOUR	30
ON-250	Rigid Fittings	RIGID OFF-SET NIPPLE	FOUR	30
ON-300	Rigid Fittings	RIGID OFF-SET NIPPLE	FOUR	30
ON-350	Rigid Fittings	RIGID OFF-SET NIPPLE	FOUR	30
ON-400	Rigid Fittings	RIGID OFF-SET NIPPLE	FOUR	30
ON-50	Rigid Fittings	RIGID OFF-SET NIPPLE	FOUR	30
ON-75	Rigid Fittings	RIGID OFF-SET NIPPLE	FOUR	30
ORS-100S	Rigid Fittings	RIGID ONE-HOLE STRAP	FOUR	32
ORS-125S	Rigid Fittings	RIGID ONE-HOLE STRAP	FOUR	32
ORS-150S	Rigid Fittings	RIGID ONE-HOLE STRAP	FOUR	32
ORS-200S	Rigid Fittings	RIGID ONE-HOLE STRAP	FOUR	32
ORS-250S	Rigid Fittings	RIGID ONE-HOLE STRAP	FOUR	32
ORS-300S	Rigid Fittings	RIGID ONE-HOLE STRAP	FOUR	32
ORS-350S	Rigid Fittings	RIGID ONE-HOLE STRAP	FOUR	32
ORS-400S	Rigid Fittings	RIGID ONE-HOLE STRAP	FOUR	32
ORS-50S	Rigid Fittings	RIGID ONE-HOLE STRAP	FOUR	32
ORS-75S	Rigid Fittings	RIGID ONE-HOLE STRAP	FOUR	32
P3452-50	Steel Boxes & Covers	PANCAKE BOX	EIGHT	56
P4451-50	Steel Boxes & Covers	PANCAKE BOX	EIGHT	56
PBC-50NM	NM Cable Fittings	PVC SNAP-IN CONNECTOR	TEN	76
PBC-75NM	NM Cable Fittings	PVC SNAP-IN CONNECTOR	TEN	76
PE-100	EMT Fittings	PULL ELBOW	THREE	21
PE-125	EMT Fittings	PULL ELBOW	THREE	21
PE-50	EMT Fittings	PULL ELBOW	THREE	21
PE-75	EMT Fittings	PULL ELBOW	THREE	21
PEB-100	EMT Fittings	PULL ELBOW	THREE	21
PEB-125	EMT Fittings	PULL ELBOW	THREE	21
PEB-50	EMT Fittings	PULL ELBOW	THREE	21
PEB-75	EMT Fittings	PULL ELBOW	THREE	21
PH-100CB	Hanging and Support	PIPE HANGER	SEVEN	45
PH-105CB	Hanging and Support	PIPE HANGER	SEVEN	45
PH-125CB	Hanging and Support	PIPE HANGER	SEVEN	45
PH-150CB	Hanging and Support	PIPE HANGER	SEVEN	45
PH-200CB	Hanging and Support	PIPE HANGER	SEVEN	45
PH-250CB	Hanging and Support	PIPE HANGER	SEVEN	45

INDEX

PART#	SECTION NAME	PRODUCT DESCRIPTION	SECTION	PAGE
PH-300CB	Hanging and Support	PIPE HANGER	SEVEN	45
PH-350CB	Hanging and Support	PIPE HANGER	SEVEN	45
PH-400CB	Hanging and Support	PIPE HANGER	SEVEN	45
PH-50CB	Hanging and Support	PIPE HANGER	SEVEN	45
PH-75CB	Hanging and Support	PIPE HANGER	SEVEN	45
PS-100NS	Hanging and Support	UNIVERSAL CONDUIT CLAMP	SEVEN	46
PS-125NS	Hanging and Support	UNIVERSAL CONDUIT CLAMP	SEVEN	46
PS-150NS	Hanging and Support	UNIVERSAL CONDUIT CLAMP	SEVEN	46
PS-200NS	Hanging and Support	UNIVERSAL CONDUIT CLAMP	SEVEN	46
PS-250NS	Hanging and Support	UNIVERSAL CONDUIT CLAMP	SEVEN	46
PS-300NS	Hanging and Support	UNIVERSAL CONDUIT CLAMP	SEVEN	46
PS-350NS	Hanging and Support	UNIVERSAL CONDUIT CLAMP	SEVEN	46
PS-400NS	Hanging and Support	UNIVERSAL CONDUIT CLAMP	SEVEN	46
PS-50NS	Hanging and Support	UNIVERSAL CONDUIT CLAMP	SEVEN	46
PS-75NS	Hanging and Support	UNIVERSAL CONDUIT CLAMP	SEVEN	46
R2240	Steel Boxes & Covers	4" DOUBLE GANG DEVICE RING	EIGHT	62
R2242-50	Steel Boxes & Covers	4" DOUBLE GANG DEVICE RING	EIGHT	62
R2243-50	Steel Boxes & Covers	4" DOUBLE GANG DEVICE RING	EIGHT	62
R2244-50	Steel Boxes & Covers	4" DOUBLE GANG DEVICE RING	EIGHT	62
R2245-25	Steel Boxes & Covers	4" DOUBLE GANG DEVICE RING	EIGHT	62
R2246-25	Steel Boxes & Covers	4" DOUBLE GANG DEVICE RING	EIGHT	62
R3K-100M	Rigid Fittings	THREE PIECE COUPLING	FOUR	23
R3K-125M	Rigid Fittings	THREE PIECE COUPLING	FOUR	23
R3K-150M	Rigid Fittings	THREE PIECE COUPLING	FOUR	23
R3K-200M	Rigid Fittings	THREE PIECE COUPLING	FOUR	23
R3K-250M	Rigid Fittings	THREE PIECE COUPLING	FOUR	23
R3K-300M	Rigid Fittings	THREE PIECE COUPLING	FOUR	23
R3K-350M	Rigid Fittings	THREE PIECE COUPLING	FOUR	23
R3K-400M	Rigid Fittings	THREE PIECE COUPLING	FOUR	23
R3K-500M	Rigid Fittings	THREE PIECE COUPLING	FOUR	23
R3K-50M	Rigid Fittings	THREE PIECE COUPLING	FOUR	23
R3K-75M	Rigid Fittings	THREE PIECE COUPLING	FOUR	23
RB-400200M	Rigid Fittings	RIGID REDUCING BUSHING	FOUR	24
RB-400300M	Rigid Fittings	RIGID REDUCING BUSHING	FOUR	24
RB-7	Weatherproof	WEATHERPROOF ROUND BOX	ELEVEN	78
RC-125	NM Cable Fittings	TWO-SCREW STRAP TYPE CONNECTOR	TEN	75
RC141-50	Steel Boxes & Covers	4" ROUND COVER	EIGHT	56
RC142-50	Steel Boxes & Covers	4" ROUND COVER	EIGHT	56
RC-150	NM Cable Fittings	TWO-SCREW STRAP TYPE CONNECTOR	TEN	75
RC-200	NM Cable Fittings	TWO-SCREW STRAP TYPE CONNECTOR	TEN	75
RC400	Steel Boxes & Covers	4" OCTAGON BOX COVER	EIGHT	55
RC401	Steel Boxes & Covers	4" OCTAGON BOX COVER	EIGHT	55
RCC-100	Rigid Fittings	RIGID COMPRESSION CONN	FOUR	27
RCC-125	Rigid Fittings	RIGID COMPRESSION CONN	FOUR	27
RCC-150	Rigid Fittings	RIGID COMPRESSION CONN	FOUR	27
RCC-200	Rigid Fittings	RIGID COMPRESSION CONN	FOUR	27
RCC-250	Rigid Fittings	RIGID COMPRESSION CONN	FOUR	27
RCC-300	Rigid Fittings	RIGID COMPRESSION CONN	FOUR	27
RCC-350	Rigid Fittings	RIGID COMPRESSION CONN	FOUR	27
RCC-400	Rigid Fittings	RIGID COMPRESSION CONN	FOUR	27
RCC-50	Rigid Fittings	RIGID COMPRESSION CONN	FOUR	27
RCC-75	Rigid Fittings	RIGID COMPRESSION CONN	FOUR	27
RCCI-100	Rigid Fittings	RIGID INSULATED COMPRESSION CONN	FOUR	28
RCCI-125	Rigid Fittings	RIGID INSULATED COMPRESSION CONN	FOUR	28
RCCI-150	Rigid Fittings	RIGID INSULATED COMPRESSION CONN	FOUR	28
RCCI-200	Rigid Fittings	RIGID INSULATED COMPRESSION CONN	FOUR	28
RCCI-250	Rigid Fittings	RIGID INSULATED COMPRESSION CONN	FOUR	28
RCCI-300	Rigid Fittings	RIGID INSULATED COMPRESSION CONN	FOUR	28
RCCI-350	Rigid Fittings	RIGID INSULATED COMPRESSION CONN	FOUR	28
RCCI-400	Rigid Fittings	RIGID INSULATED COMPRESSION CONN	FOUR	28
RCCI-50	Rigid Fittings	RIGID INSULATED COMPRESSION CONN	FOUR	28

INDEX

PART#	SECTION NAME	PRODUCT DESCRIPTION	SECTION	PAGE
RCCI-75	Rigid Fittings	RIGID INSULATED COMPRESSION CONN	FOUR	28
RCP-100	Rigid Fittings	RIGID COMPRESSION COUPLING	FOUR	29
RCP-125	Rigid Fittings	RIGID COMPRESSION COUPLING	FOUR	29
RCP-150	Rigid Fittings	RIGID COMPRESSION COUPLING	FOUR	29
RCP-200	Rigid Fittings	RIGID COMPRESSION COUPLING	FOUR	29
RCP-250	Rigid Fittings	RIGID COMPRESSION COUPLING	FOUR	29
RCP-300	Rigid Fittings	RIGID COMPRESSION COUPLING	FOUR	29
RCP-350	Rigid Fittings	RIGID COMPRESSION COUPLING	FOUR	29
RCP-400	Rigid Fittings	RIGID COMPRESSION COUPLING	FOUR	29
RCP-50	Rigid Fittings	RIGID COMPRESSION COUPLING	FOUR	29
RCP-75	Rigid Fittings	RIGID COMPRESSION COUPLING	FOUR	29
RW100-50	Rigid Fittings	REDUCING WASHER	FOUR	31
RW100-75	Rigid Fittings	REDUCING WASHER	FOUR	31
RW125-100	Rigid Fittings	REDUCING WASHER	FOUR	31
RW125-50	Rigid Fittings	REDUCING WASHER	FOUR	31
RW125-75	Rigid Fittings	REDUCING WASHER	FOUR	31
RW150-100	Rigid Fittings	REDUCING WASHER	FOUR	31
RW150-125	Rigid Fittings	REDUCING WASHER	FOUR	31
RW150-50	Rigid Fittings	REDUCING WASHER	FOUR	31
RW150-75	Rigid Fittings	REDUCING WASHER	FOUR	31
RW200-100	Rigid Fittings	REDUCING WASHER	FOUR	31
RW200-125	Rigid Fittings	REDUCING WASHER	FOUR	31
RW200-150	Rigid Fittings	REDUCING WASHER	FOUR	31
RW200-50	Rigid Fittings	REDUCING WASHER	FOUR	31
RW200-75	Rigid Fittings	REDUCING WASHER	FOUR	31
RW75-50	Rigid Fittings	REDUCING WASHER	FOUR	31
RWA-100300	Flexible Conduit	REDUCED WALL ALUMINUM FLEX	ONE/NINE	4/74
RWA-10050	Flexible Conduit	REDUCED WALL ALUMINUM FLEX	ONE/NINE	4/74
RWA-125200	Flexible Conduit	REDUCED WALL ALUMINUM FLEX	ONE/NINE	4/74
RWA-12550	Flexible Conduit	REDUCED WALL ALUMINUM FLEX	ONE/NINE	4/74
RWA-150100	Flexible Conduit	REDUCED WALL ALUMINUM FLEX	ONE/NINE	4/74
RWA-15025	Flexible Conduit	REDUCED WALL ALUMINUM FLEX	ONE/NINE	4/74
RWA-200100	Flexible Conduit	REDUCED WALL ALUMINUM FLEX	ONE/NINE	4/74
RWA-20025	Flexible Conduit	REDUCED WALL ALUMINUM FLEX	ONE/NINE	4/74
RWA-25025	Flexible Conduit	REDUCED WALL ALUMINUM FLEX	ONE/NINE	4/74
RWA-30025	Flexible Conduit	REDUCED WALL ALUMINUM FLEX	ONE/NINE	4/74
RWA-35025	Flexible Conduit	REDUCED WALL ALUMINUM FLEX	ONE/NINE	4/74
RWA-38100	Flexible Conduit	REDUCED WALL ALUMINUM FLEX	ONE/NINE	4/74
RWA-38250	Flexible Conduit	REDUCED WALL ALUMINUM FLEX	ONE/NINE	4/74
RWA-40025	Flexible Conduit	REDUCED WALL ALUMINUM FLEX	ONE/NINE	4/74
RWA-50100	Flexible Conduit	REDUCED WALL ALUMINUM FLEX	ONE/NINE	4/74
RWA-501000	Flexible Conduit	REDUCED WALL ALUMINUM FLEX	ONE/NINE	4/74
RWA-75100	Flexible Conduit	REDUCED WALL ALUMINUM FLEX	ONE/NINE	4/74
RWA-75500	Flexible Conduit	REDUCED WALL ALUMINUM FLEX	ONE/NINE	4/74
RWS-100100	Flexible Conduit	REDUCED WALL STEEL FLEX	ONE/NINE	4/73
RWS-100200	Flexible Conduit	REDUCED WALL STEEL FLEX	ONE/NINE	4/73
RWS-100300	Flexible Conduit	REDUCED WALL STEEL FLEX	ONE/NINE	4/73
RWS-10050UL	Flexible Conduit	REDUCED WALL STEEL FLEX	ONE/NINE	4/73
RWS-125200	Flexible Conduit	REDUCED WALL STEEL FLEX	ONE/NINE	4/73
RWS-12550	Flexible Conduit	REDUCED WALL STEEL FLEX	ONE/NINE	4/73
RWS-150100	Flexible Conduit	REDUCED WALL STEEL FLEX	ONE/NINE	4/73
RWS-15050	Flexible Conduit	REDUCED WALL STEEL FLEX	ONE/NINE	4/73
RWS-200100	Flexible Conduit	REDUCED WALL STEEL FLEX	ONE/NINE	4/73
RWS-20025	Flexible Conduit	REDUCED WALL STEEL FLEX	ONE/NINE	4/73
RWS-25025	Flexible Conduit	REDUCED WALL STEEL FLEX	ONE/NINE	4/73
RWS-30025	Flexible Conduit	REDUCED WALL STEEL FLEX	ONE/NINE	4/73
RWS-35025	Flexible Conduit	REDUCED WALL STEEL FLEX	ONE/NINE	4/73
RWS-38100	Flexible Conduit	REDUCED WALL STEEL FLEX	ONE/NINE	4/73
RWS-40025	Flexible Conduit	REDUCED WALL STEEL FLEX	ONE/NINE	4/73
RWS-50100	Flexible Conduit	REDUCED WALL STEEL FLEX	ONE/NINE	4/73
RWS-501000	Flexible Conduit	REDUCED WALL STEEL FLEX	ONE/NINE	4/73

INDEX

PART#	SECTION NAME	PRODUCT DESCRIPTION	SECTION	PAGE
RWS-50100UL	Flexible Conduit	REDUCED WALL STEEL FLEX	ONE/NINE	4/73
RWS-50500	Flexible Conduit	REDUCED WALL STEEL FLEX	ONE/NINE	4/73
RWS-75100	Flexible Conduit	REDUCED WALL STEEL FLEX	ONE/NINE	4/73
RWS-751000UL	Flexible Conduit	REDUCED WALL STEEL FLEX	ONE/NINE	4/73
RWS-75100UL	Flexible Conduit	REDUCED WALL STEEL FLEX	ONE/NINE	4/73
RWS-75300	Flexible Conduit	REDUCED WALL STEEL FLEX	ONE/NINE	4/73
RWS-75500	Flexible Conduit	REDUCED WALL STEEL FLEX	ONE/NINE	4/73
SBG410-50	Steel Boxes & Covers	3X2 GANGABLE SWITCH BOX	EIGHT	49
SBG420-50	Steel Boxes & Covers	3X2 GANGABLE SWITCH BOX	EIGHT	49
SBG440-50	Steel Boxes & Covers	3X2 GANGABLE SWITCH BOX	EIGHT	49
SBG445-50	Steel Boxes & Covers	3X2 GANGABLE SWITCH BOX	EIGHT	49
SBG500-50	Steel Boxes & Covers	3X2 GANGABLE SWITCH BOX	EIGHT	49
SBG503-50	Steel Boxes & Covers	3X2 GANGABLE SWITCH BOX	EIGHT	49
SBG518-50	Steel Boxes & Covers	3X2 GANGABLE SWITCH BOX	EIGHT	49
SBG519-50	Steel Boxes & Covers	3X2 GANGABLE SWITCH BOX	EIGHT	49
SBG523-50	Steel Boxes & Covers	3X2 GANGABLE SWITCH BOX	EIGHT	49
SBG524-25	Steel Boxes & Covers	3X2 GANGABLE SWITCH BOX	EIGHT	49
SBG565-50	Steel Boxes & Covers	3X2 GANGABLE SWITCH BOX	EIGHT	50
SBG567-50	Steel Boxes & Covers	3X2 GANGABLE SWITCH BOX	EIGHT	50
SBG570-50	Steel Boxes & Covers	3X2 GANGABLE SWITCH BOX	EIGHT	50
SBG574-50	Steel Boxes & Covers	3X2 GANGABLE SWITCH BOX	EIGHT	50
SBG591-25	Steel Boxes & Covers	3X2 GANGABLE SWITCH BOX	EIGHT	50
SBG600-25	Steel Boxes & Covers	3X2 GANGABLE SWITCH BOX	EIGHT	50
SBG601-25	Steel Boxes & Covers	3X2 GANGABLE SWITCH BOX	EIGHT	50
SBG604-25	Steel Boxes & Covers	3X2 GANGABLE SWITCH BOX	EIGHT	50
SBG605-25	Steel Boxes & Covers	3X2 GANGABLE SWITCH BOX	EIGHT	50
SBS	Steel Boxes & Covers	SWITCH BOX SUPPORT BRACKET	EIGHT	60
SC-100S1	EMT Fittings	SET-SCREW CONNECTOR	THREE	18
SC-125S1	EMT Fittings	SET-SCREW CONNECTOR	THREE	18
SC-150S1	EMT Fittings	SET-SCREW CONNECTOR	THREE	18
SC-200S1	EMT Fittings	SET-SCREW CONNECTOR	THREE	18
SC-250S1	EMT Fittings	SET-SCREW CONNECTOR	THREE	18
SC-300S1	EMT Fittings	SET-SCREW CONNECTOR	THREE	18
SC-350S1	EMT Fittings	SET-SCREW CONNECTOR	THREE	18
SC-400S1	EMT Fittings	SET-SCREW CONNECTOR	THREE	18
SC-50S1	EMT Fittings	SET-SCREW CONNECTOR	THREE	18
SC-75S1	EMT Fittings	SET-SCREW CONNECTOR	THREE	18
SCI-100S1	EMT Fittings	SET-SCREW INSULATED CONNECTOR	THREE	19
SCI-125S1	EMT Fittings	SET-SCREW INSULATED CONNECTOR	THREE	19
SCI-150S1	EMT Fittings	SET-SCREW INSULATED CONNECTOR	THREE	19
SCI-200S1	EMT Fittings	SET-SCREW INSULATED CONNECTOR	THREE	19
SCI-250S1	EMT Fittings	SET-SCREW INSULATED CONNECTOR	THREE	19
SCI-300S1	EMT Fittings	SET-SCREW INSULATED CONNECTOR	THREE	19
SCI-350S1	EMT Fittings	SET-SCREW INSULATED CONNECTOR	THREE	19
SCI-400S1	EMT Fittings	SET-SCREW INSULATED CONNECTOR	THREE	19
SCI-50S1	EMT Fittings	SET-SCREW INSULATED CONNECTOR	THREE	19
SCI-75S1	EMT Fittings	SET-SCREW INSULATED CONNECTOR	THREE	19
SCR-50/75	Steel Boxes & Covers	4" SWIVEL COVER	EIGHT	56
SCS-50/75	Steel Boxes & Covers	4" SWIVEL COVER	EIGHT	56
SEC-62A	Service Entrance	SERVICE ENTRANCE CAP	TWELVE	79
SK-100S1	EMT Fittings	SET SCREW COUPLING	THREE	18
SK-125S1	EMT Fittings	SET SCREW COUPLING	THREE	18
SK-150S1	EMT Fittings	SET SCREW COUPLING	THREE	18
SK-200S1	EMT Fittings	SET SCREW COUPLING	THREE	18
SK-250S1	EMT Fittings	SET SCREW COUPLING	THREE	18
SK-300S1	EMT Fittings	SET SCREW COUPLING	THREE	18
SK-350S1	EMT Fittings	SET SCREW COUPLING	THREE	18
SK-400S1	EMT Fittings	SET SCREW COUPLING	THREE	18
SK-50S1	EMT Fittings	SET SCREW COUPLING	THREE	18
SK-75S1	EMT Fittings	SET SCREW COUPLING	THREE	18
SKFC-100	EMT Fittings	EMT/FMC COMBINATION COUPLING	NINE	67

INDEX

PART#	SECTION NAME	PRODUCT DESCRIPTION	SECTION	PAGE
SKFC-38	BX, Flex and MC Fittings	EMT/FMC COMBINATION COUPLING	NINE	67
SKFC-50	BX, Flex and MC Fittings	EMT/FMC COMBINATION COUPLING	NINE	67
SKFC-75	BX, Flex and MC Fittings	EMT/FMC COMBINATION COUPLING	NINE	67
SQ-100	BX, Flex and MC Fittings	FMC SQUEEZE TYPE CONNECTOR	NINE	67
SQ-125	BX, Flex and MC Fittings	FMC SQUEEZE TYPE CONNECTOR	NINE	67
SQ-150	BX, Flex and MC Fittings	FMC SQUEEZE TYPE CONNECTOR	NINE	67
SQ-200	BX, Flex and MC Fittings	FMC SQUEEZE TYPE CONNECTOR	NINE	67
SQ-250	BX, Flex and MC Fittings	FMC SQUEEZE TYPE CONNECTOR	NINE	67
SQ-300	BX, Flex and MC Fittings	FMC SQUEEZE TYPE CONNECTOR	NINE	67
SQ-350	BX, Flex and MC Fittings	FMC SQUEEZE TYPE CONNECTOR	NINE	67
SQ-400	BX, Flex and MC Fittings	FMC SQUEEZE TYPE CONNECTOR	NINE	67
SQ-50	BX, Flex and MC Fittings	FMC SQUEEZE TYPE CONNECTOR	NINE	67
SQ-75	BX, Flex and MC Fittings	FMC SQUEEZE TYPE CONNECTOR	NINE	67
SQ90-100	BX, Flex and MC Fittings	FMC SQUEEZE TYPE 90° CONNECTOR	NINE	68
SQ90-125	BX, Flex and MC Fittings	FMC SQUEEZE TYPE 90° CONNECTOR	NINE	68
SQ90-150	BX, Flex and MC Fittings	FMC SQUEEZE TYPE 90° CONNECTOR	NINE	68
SQ90-200	BX, Flex and MC Fittings	FMC SQUEEZE TYPE 90° CONNECTOR	NINE	68
SQ90-250M	BX, Flex and MC Fittings	FMC SQUEEZE TYPE 90° CONNECTOR	NINE	68
SQ90-300M	BX, Flex and MC Fittings	FMC SQUEEZE TYPE 90° CONNECTOR	NINE	68
SQ90-350M	BX, Flex and MC Fittings	FMC SQUEEZE TYPE 90° CONNECTOR	NINE	68
SQ90-38	BX, Flex and MC Fittings	FMC SQUEEZE TYPE 90° CONNECTOR	NINE	68
SQ90-400M	BX, Flex and MC Fittings	FMC SQUEEZE TYPE 90° CONNECTOR	NINE	68
SQ90-50	BX, Flex and MC Fittings	FMC SQUEEZE TYPE 90° CONNECTOR	NINE	68
SQ90-75	BX, Flex and MC Fittings	FMC SQUEEZE TYPE 90° CONNECTOR	NINE	68
SR-100	Liquidtight Fittings	SEALING RING	SIX	42
SR-125	Liquidtight Fittings	SEALING RING	SIX	42
SR-150	Liquidtight Fittings	SEALING RING	SIX	42
SR-200	Liquidtight Fittings	SEALING RING	SIX	42
SR-250	Liquidtight Fittings	SEALING RING	SIX	42
SR-300	Liquidtight Fittings	SEALING RING	SIX	42
SR-350	Liquidtight Fittings	SEALING RING	SIX	42
SR-400	Liquidtight Fittings	SEALING RING	SIX	42
SR-50	Liquidtight Fittings	SEALING RING	SIX	42
SR-75	Liquidtight Fittings	SEALING RING	SIX	42
T-100SC	Conduit Bodies	T TYPE RIGID CONDUIT BODY	FIVE	38
T-125SC	Conduit Bodies	T TYPE RIGID CONDUIT BODY	FIVE	38
T-150SC	Conduit Bodies	T TYPE RIGID CONDUIT BODY	FIVE	38
T-200SC	Conduit Bodies	T TYPE RIGID CONDUIT BODY	FIVE	38
T-250SC	Conduit Bodies	T TYPE RIGID CONDUIT BODY	FIVE	38
T-300SC	Conduit Bodies	T TYPE RIGID CONDUIT BODY	FIVE	38
T-350SC	Conduit Bodies	T TYPE RIGID CONDUIT BODY	FIVE	38
T-400SC	Conduit Bodies	T TYPE RIGID CONDUIT BODY	FIVE	38
T-50SC	Conduit Bodies	T TYPE RIGID CONDUIT BODY	FIVE	38
T-75SC	Conduit Bodies	T TYPE RIGID CONDUIT BODY	FIVE	38
TC-100SC	Conduit Bodies	T TYPE COMBINATION CONDUIT BODY	FIVE	38
TC-125SC	Conduit Bodies	T TYPE COMBINATION CONDUIT BODY	FIVE	38
TC-150SC	Conduit Bodies	T TYPE COMBINATION CONDUIT BODY	FIVE	38
TC-200SC	Conduit Bodies	T TYPE COMBINATION CONDUIT BODY	FIVE	38
TC-50SC	Conduit Bodies	T TYPE COMBINATION CONDUIT BODY	FIVE	38
TC-75SC	Conduit Bodies	T TYPE COMBINATION CONDUIT BODY	FIVE	38
TES-100S	EMT Fittings	TWO-HOLE EMT CONDUIT STRAP	THREE	20
TES-125S	EMT Fittings	TWO-HOLE EMT CONDUIT STRAP	THREE	20
TES-150S	EMT Fittings	TWO-HOLE EMT CONDUIT STRAP	THREE	20
TES-200S	EMT Fittings	TWO-HOLE EMT CONDUIT STRAP	THREE	20
TES-50S	EMT Fittings	TWO-HOLE EMT CONDUIT STRAP	THREE	20
TES-75S	EMT Fittings	TWO-HOLE EMT CONDUIT STRAP	THREE	20
TH-050	Rigid Fittings	RIGID WATERTIGHT HUB	FOUR	26
TH-075	Rigid Fittings	RIGID WATERTIGHT HUB	FOUR	26
TH-100	Rigid Fittings	RIGID WATERTIGHT HUB	FOUR	26
TH-125	Rigid Fittings	RIGID WATERTIGHT HUB	FOUR	26
TH-150	Rigid Fittings	RIGID WATERTIGHT HUB	FOUR	26

INDEX

PART#	SECTION NAME	PRODUCT DESCRIPTION	SECTION	PAGE
TH-200	Rigid Fittings	RIGID WATERTIGHT HUB	FOUR	26
TH-250	Rigid Fittings	RIGID WATERTIGHT HUB	FOUR	26
TH-300	Rigid Fittings	RIGID WATERTIGHT HUB	FOUR	26
TH-350	Rigid Fittings	RIGID WATERTIGHT HUB	FOUR	26
TH-400	Rigid Fittings	RIGID WATERTIGHT HUB	FOUR	26
TRS-100S	Rigid Fittings	TWO-HOLE RIGID STRAP	FOUR	32
TRS-125S	Rigid Fittings	TWO-HOLE RIGID STRAP	FOUR	32
TRS-150S	Rigid Fittings	TWO-HOLE RIGID STRAP	FOUR	32
TRS-200S	Rigid Fittings	TWO-HOLE RIGID STRAP	FOUR	32
TRS-250S	Rigid Fittings	TWO-HOLE RIGID STRAP	FOUR	32
TRS-300S	Rigid Fittings	TWO-HOLE RIGID STRAP	FOUR	32
TRS-350S	Rigid Fittings	TWO-HOLE RIGID STRAP	FOUR	32
TRS-400S	Rigid Fittings	TWO-HOLE RIGID STRAP	FOUR	32
TRS-50S	Rigid Fittings	TWO-HOLE RIGID STRAP	FOUR	32
TRS-75S	Rigid Fittings	TWO-HOLE RIGID STRAP	FOUR	32
WIUP-1	Weatherproof	ANYCOVER™	ELEVEN	77
WIUP-2D	Weatherproof	ANYCOVER™	ELEVEN	77

NORTH AMERICAN DISTRIBUTION



**EAST
ELECTRICAL
SUPPLY INC**
C-7429 Ninth Line.
Mississauga, ON L5N 7C3
1-855-785-8275
www.EastElectricalSupply.com

EES_52021010bab